



## USER MANUAL

### SPECIFICATION:

PATTERN: Cardioid (NORM) / Supercardioid (TELE)  
FREQUENCY RANGE: 20 -20KHz  
SENSITIVITY: Cardioid -46dB (0dB=1V/Pa@1KHz)  
Supercardioid -36dB (0dB=1V/Pa@1KHz)  
LOW CUT FILTER: -5dB @300Hz  
OUTPUT IMPEDANCE: 1.5K ohm at high level  
600 ohm at low level  
POWER REQUIREMENT: 1AA battery  
BATTERY LIFE: approx.100 hours  
OUTPUT CONNECTOR: 3.5mm stereo plug  
MIC INPUT: 3.5mm stereo plug  
CABLE: 90cm  
DIMENSION(WITH SHOCK MOUNT) (Lx WxH): 14.4 x 3.2 x 6.7 cm  
WEIGHT(WITH BATTERY): 113.4g

### AMERICAN RECORDER TECHNOLOGIES, INC.

[www.AmericanRecorder.com](http://www.AmericanRecorder.com)

1872 Angus Ave.  
Simi Valley, CA 93063 - USA  
805-527-9580 - 808-527-1433(fax)  
[info@AmericanRecorder.com](mailto:info@AmericanRecorder.com)

### PHO-MIC-0286 SUPER CARDIOID VIDEO MICROPHONE



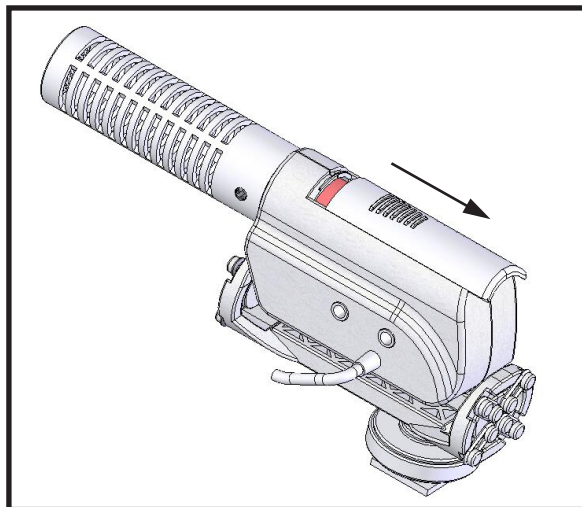
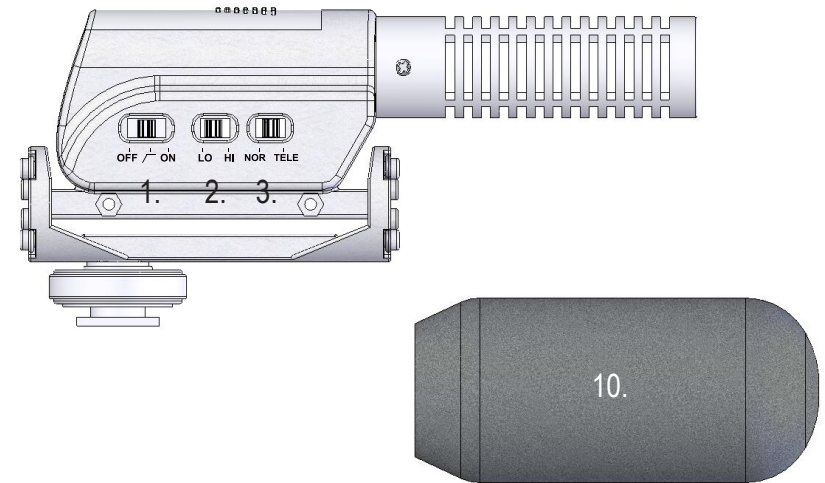
### THANK YOU FOR CHOOSING EM-286 VIDEO MICROPHONE

PHO-MIC-0286 is a super-cardioid condenser microphone for DSLR camera, video recorder and phones/tablets with proper adapter cable. The Mic-in jack allows plugging in an additional microphone or background music, to work with this condenser microphone as separate L and R channel outputs to camera or video recorder, and an earphone jack for monitoring during recording.

The special designed shock mount to minimize vibrations from the camera or motion noise from a boom pole. The shock mount adapter fits any shoe-mount attachment, and the 1/4"-20 threaded socket fits most boom poles.

# Functions:

1. Power ON/LOW CUT Filter/OFF
2. Gain level switch (0 dB, +10dB)
3. Polar pattern selector
4. Mic input jack
5. Headphone jack
6. Shock mount
7. Locking wheel
8. Mounting foot with 1/4"-20 threaded socket
9. Battery compartment
10. Foam windscreen



## Installing the battery

1. Remove the battery compartment cover by pressing down on the ridges and sliding the cover toward the back of microphone.
2. Insert one according to the label indication inside the compartment.
3. Replace the battery compartment cover.

