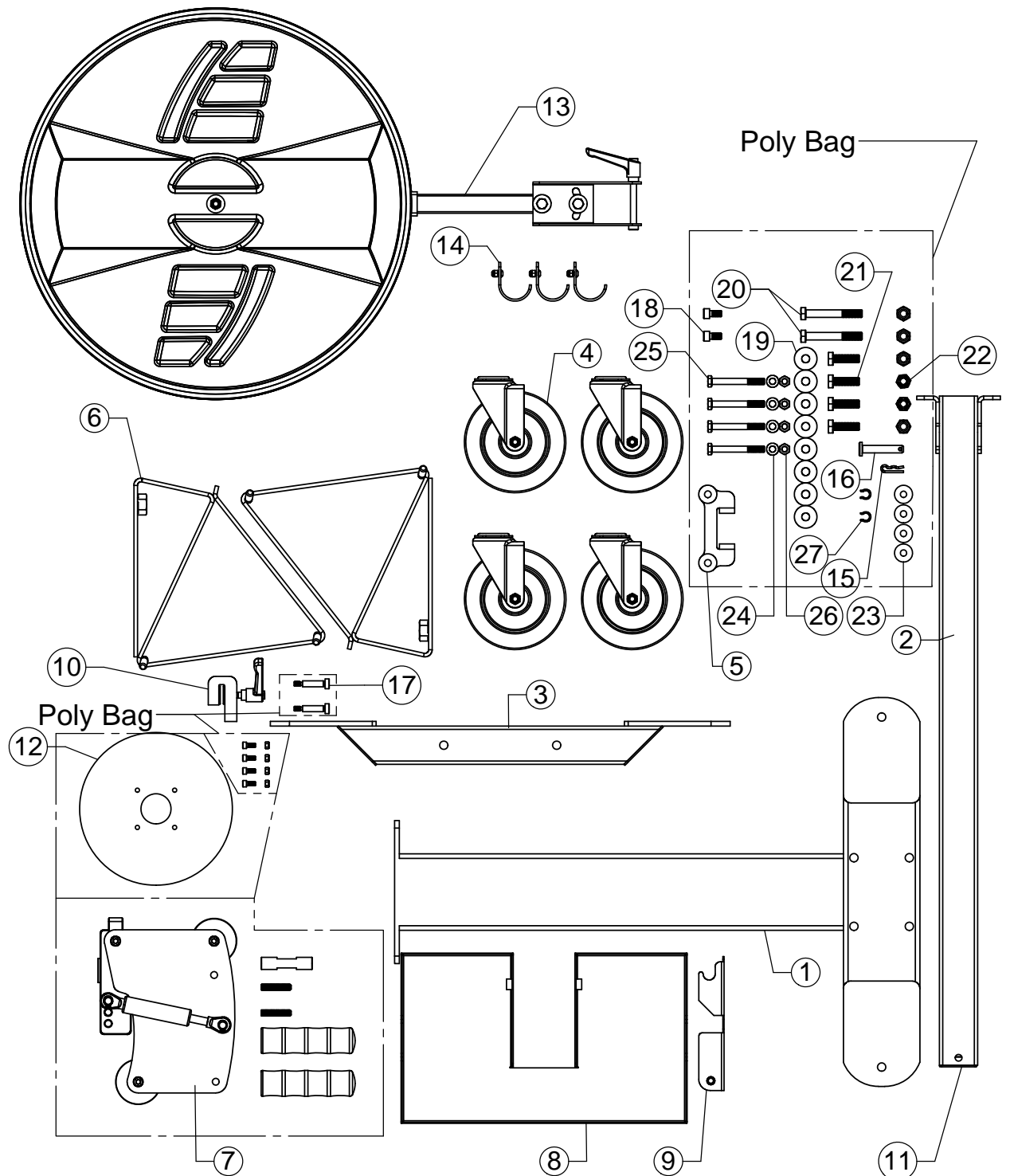


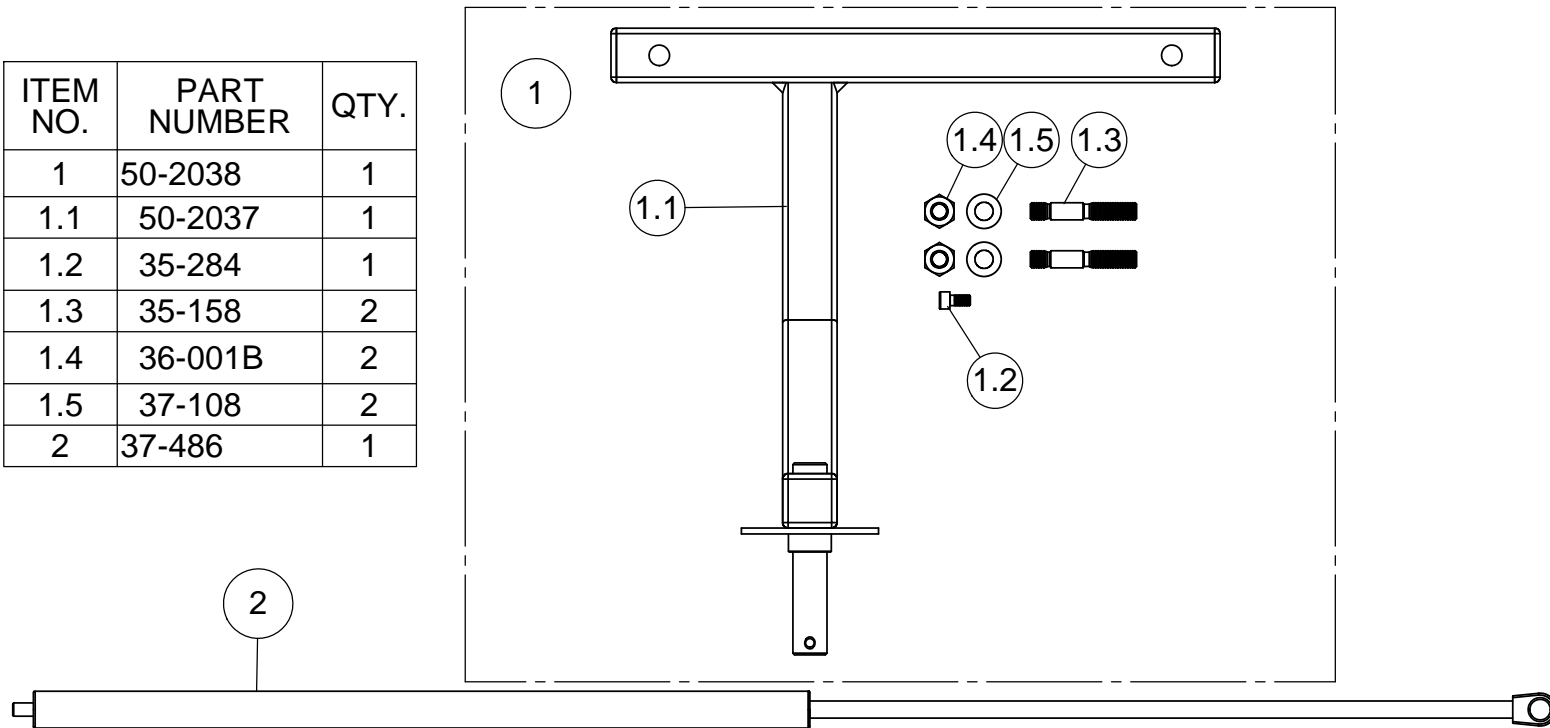
50-2020 Box Contents

ITEM NO.	PART NUMBER	Packaged/QTY.
1	50-2047	1
2	50-2048	1
3	50-2029	1
4	37-038	4
5	50-2019	1
6	50-2030	2
7	50-2070	1
8	50-2077	1
9	50-2078	1
10	50-1065	1
11	37-618	1
12	50-2034	1
13	50-2040	1
14	50-2018	3
15	37-496	1
16	37-046	1
17	35-425	2
18	35-414	2
19	37-993	8
20	35-998	2
21	35-304	4
22	36-001B	6
23	37-110	4
24	37-003	4
25	35-360	4
26	36-009	4
27	50-2046	2



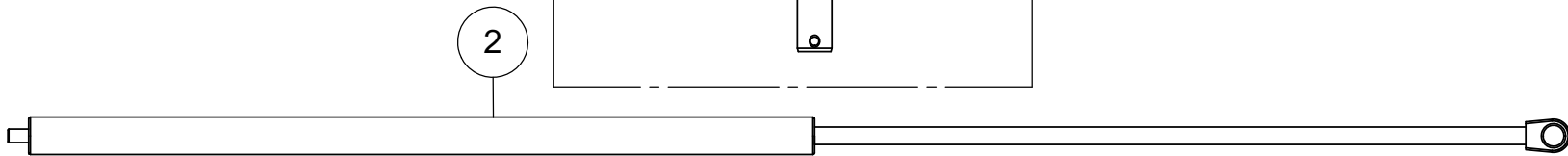
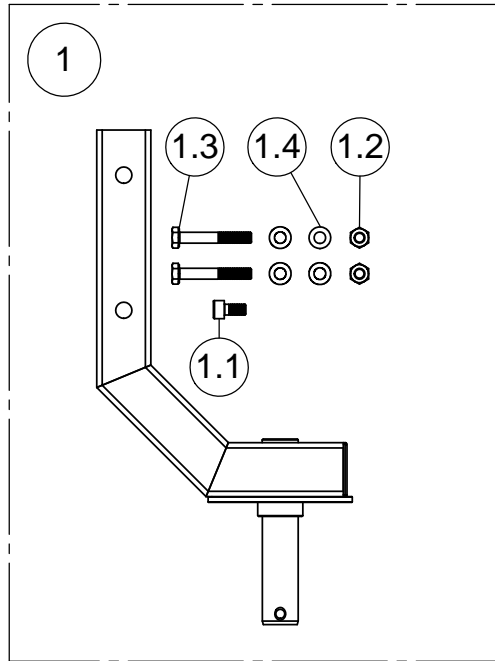
For 50-2192 Only:

ITEM NO.	PART NUMBER	QTY.
1	50-2038	1
1.1	50-2037	1
1.2	35-284	1
1.3	35-158	2
1.4	36-001B	2
1.5	37-108	2
2	37-486	1



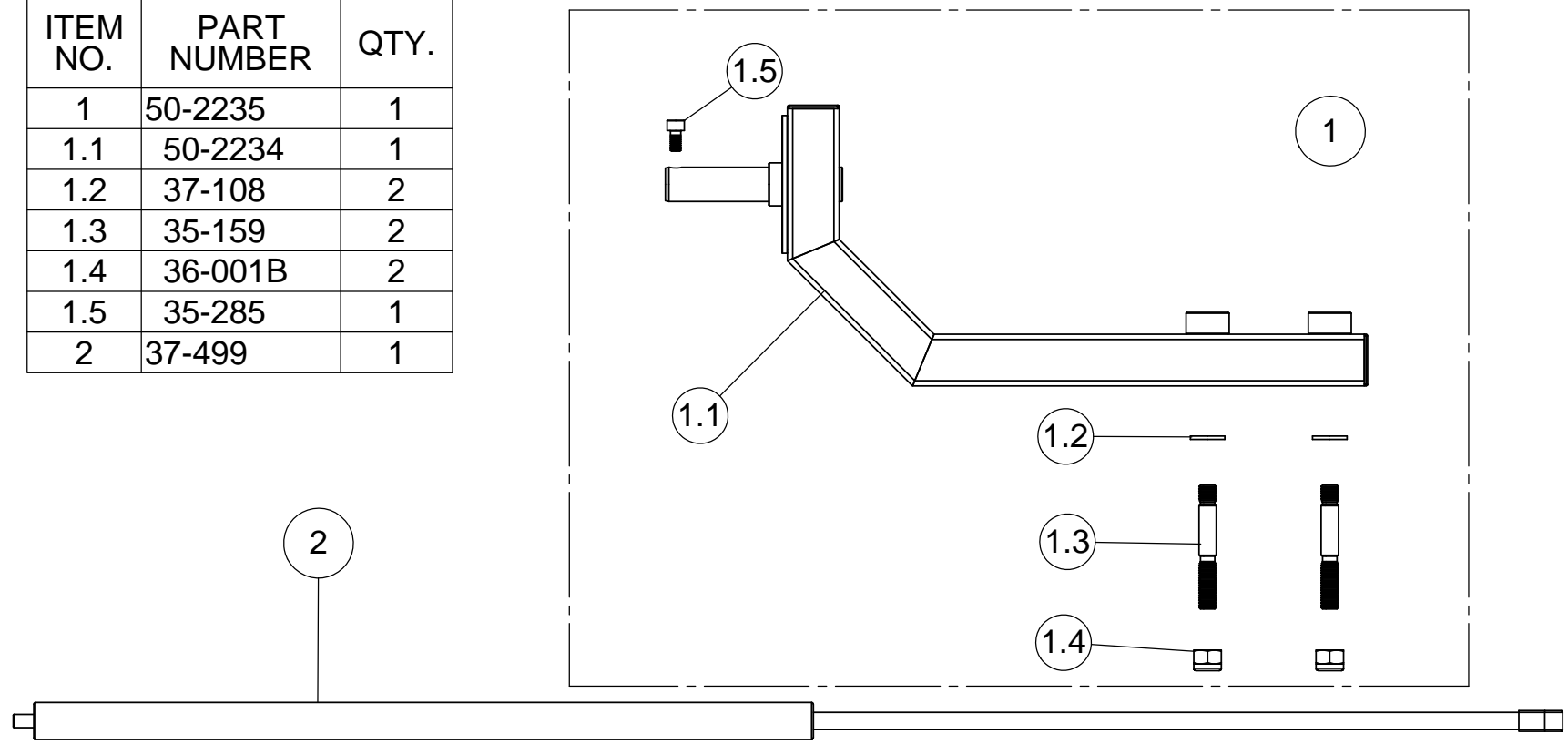
For 50-2193 Only:

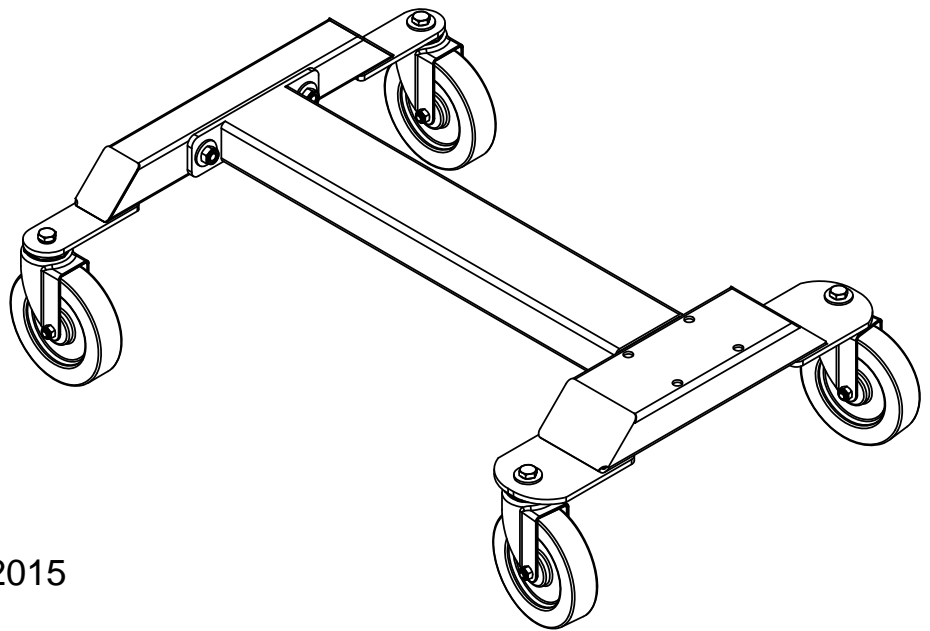
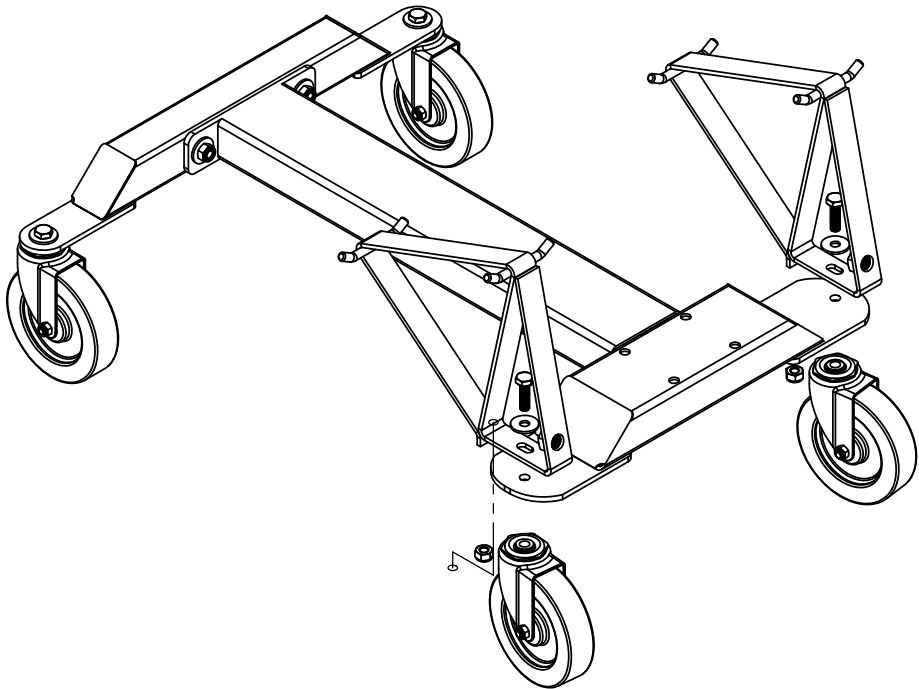
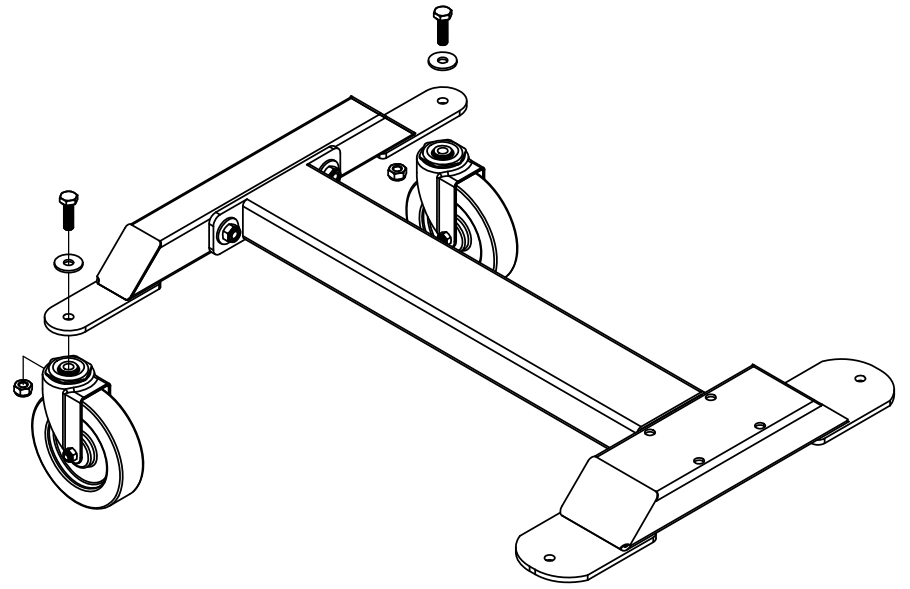
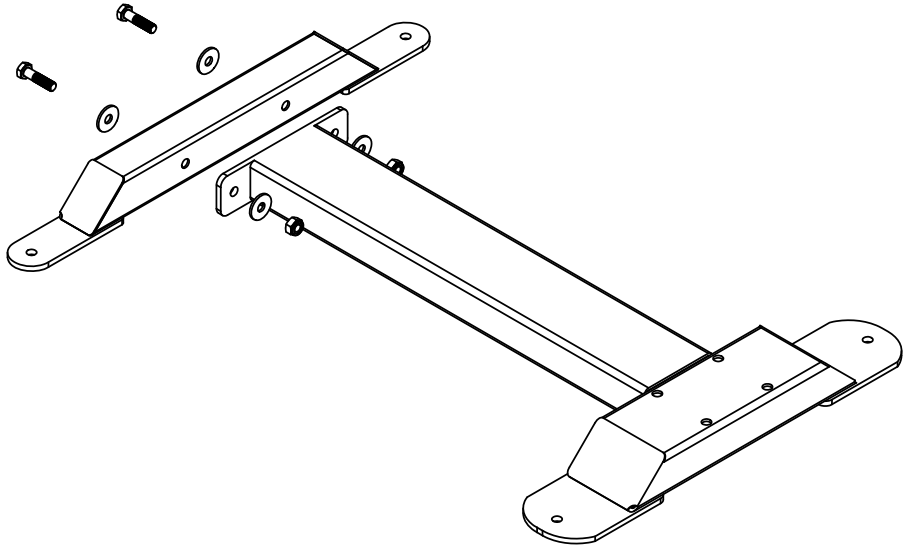
ITEM NO.	PART NUMBER	QTY.
1	50-1835	1
1.1	35-284	1
1.2	36-020	2
1.3	35-256	2
1.4	37-454	4
1.5	50-1828	1
1.6	37-617	1
2	37-489	1



For 50-2195 Only:

ITEM NO.	PART NUMBER	QTY.
1	50-2235	1
1.1	50-2234	1
1.2	37-108	2
1.3	35-159	2
1.4	36-001B	2
1.5	35-285	1
2	37-499	1





9/29/2015

Trolley Camber Shock Setting Instructions

Heavier lathe types or lathes fitted with extension plates should be set for more camber force.

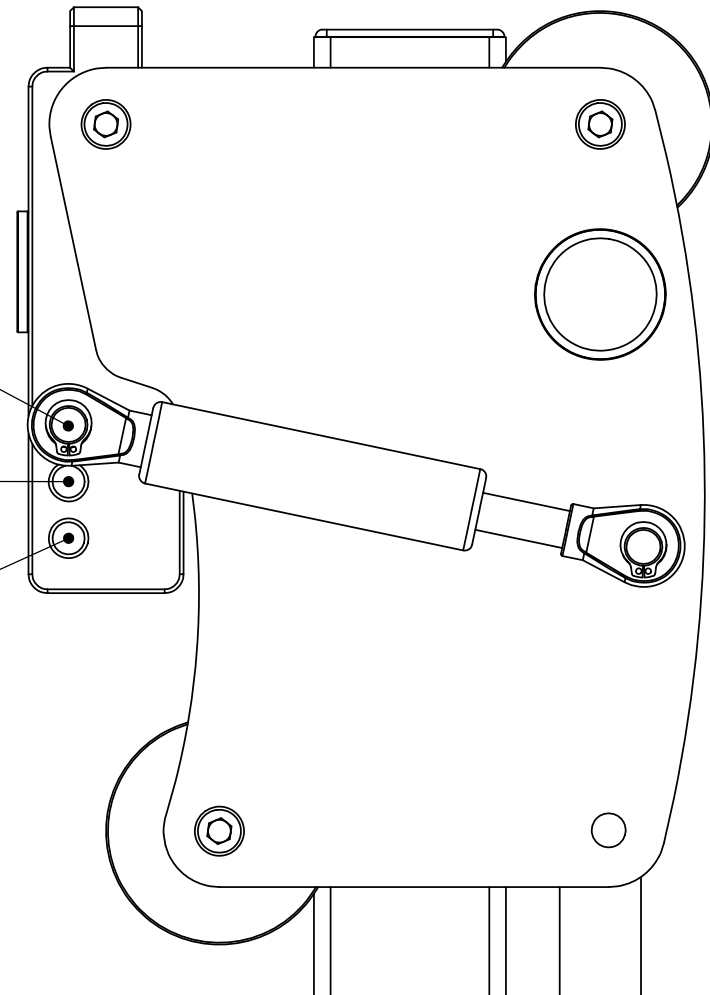
Six levels of torque may be set by using the same or different settings on left and right side of the carriage. (Low/Low, Low/Med, Low/High, Med/Med, Med/High, High/High).

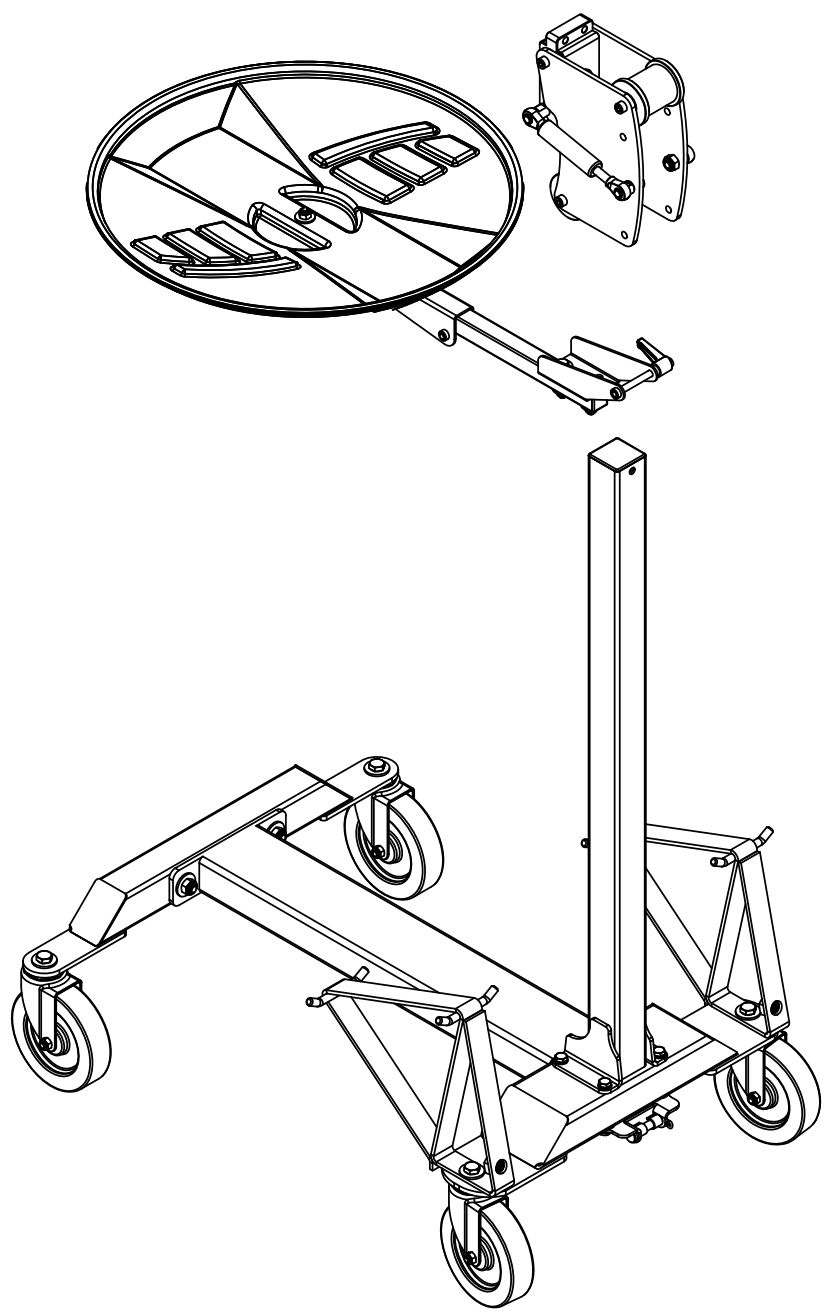
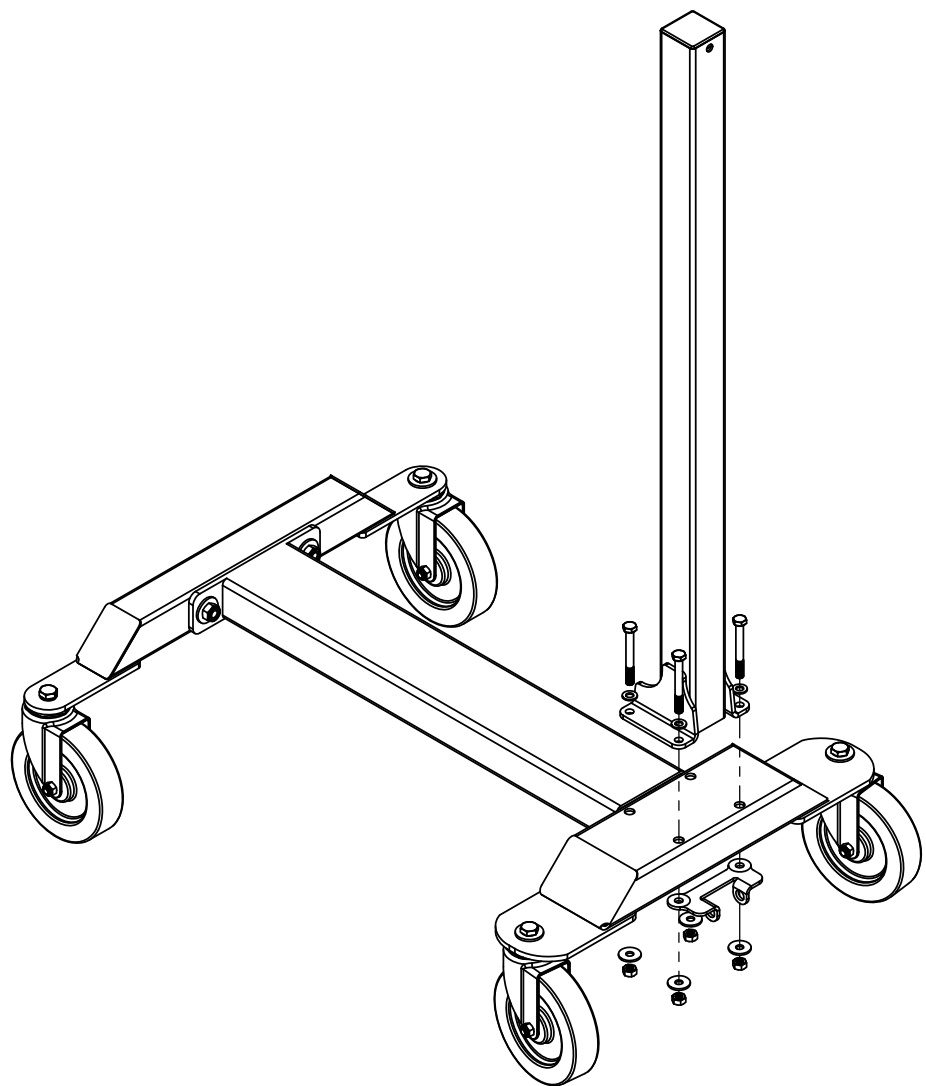
CAMBER TORQUE SETTINGS:

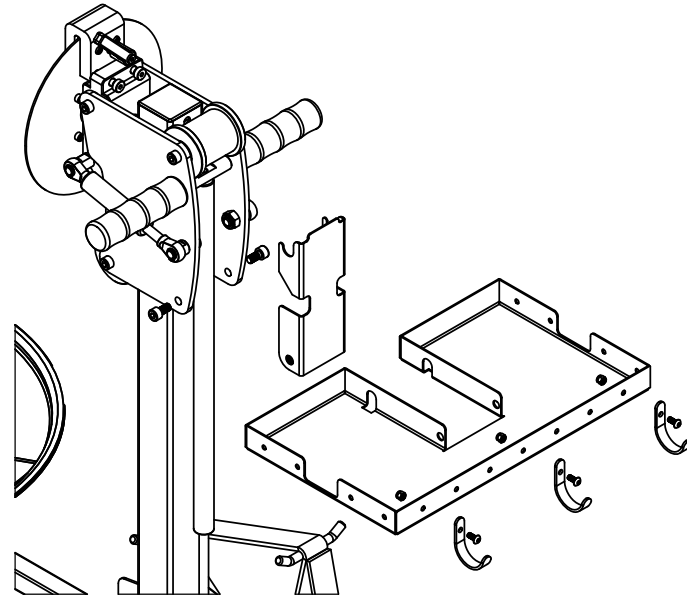
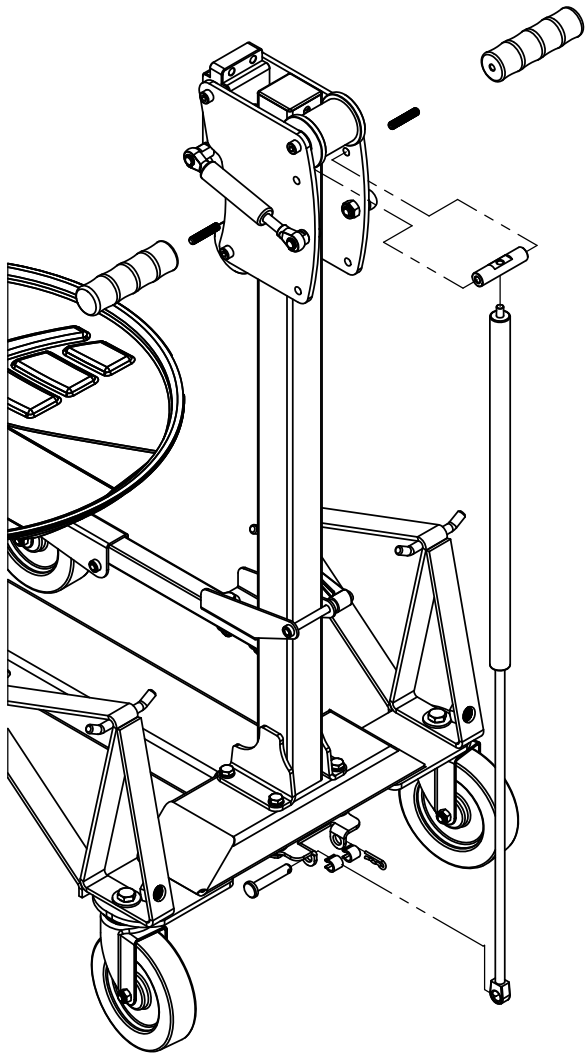
LOW:
(DEFAULT)
PFM 9.0
PFM 9.1

MEDIUM:
PFM 9.2,
X9

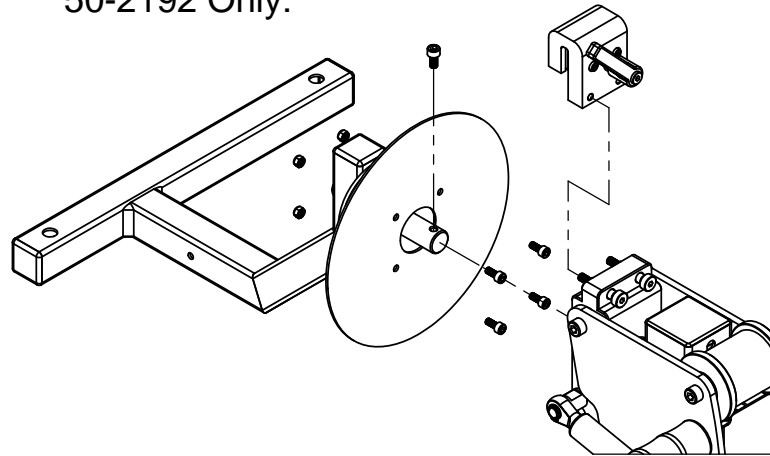
HIGH:
PFM 9.2 or X9
with G2X
Cutting Head,
A10 Warthog

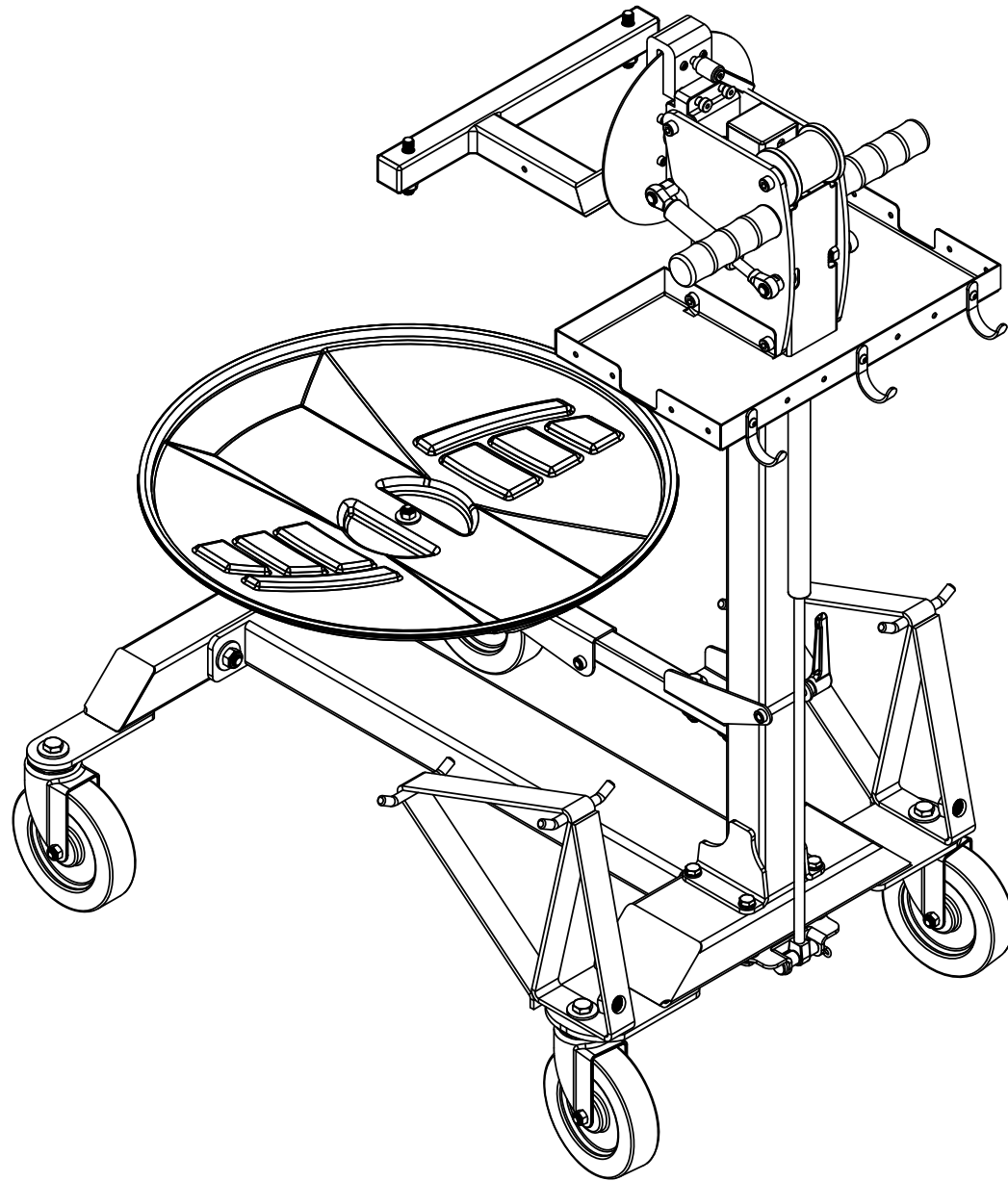






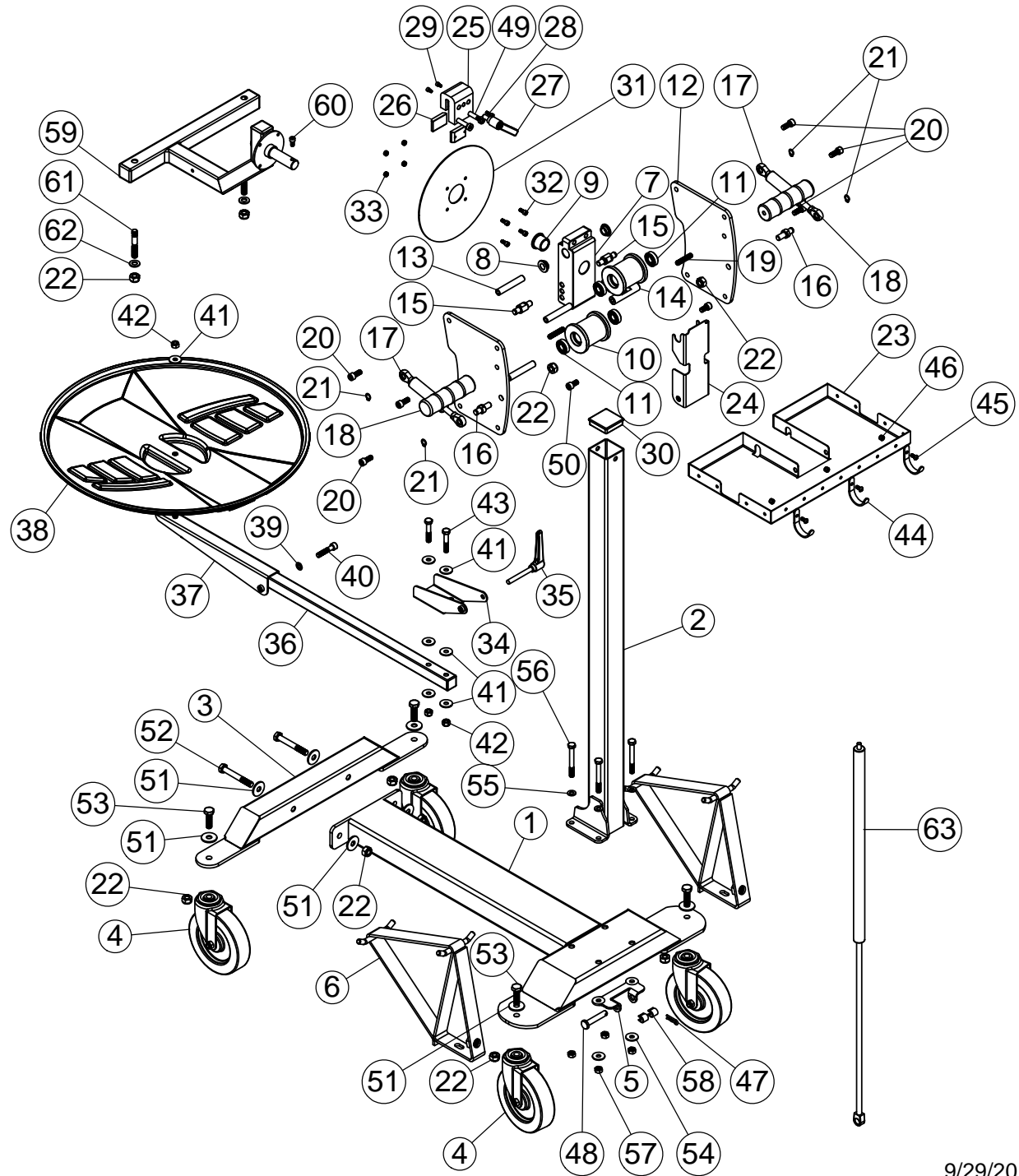
50-2192 Only:

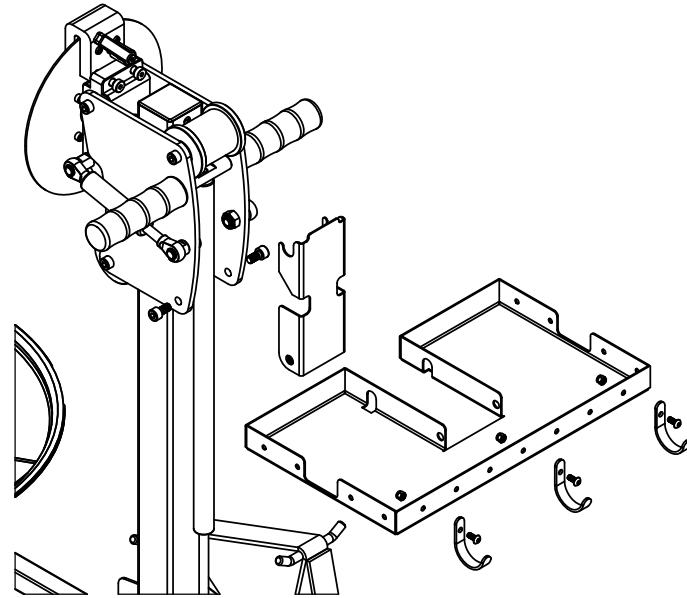
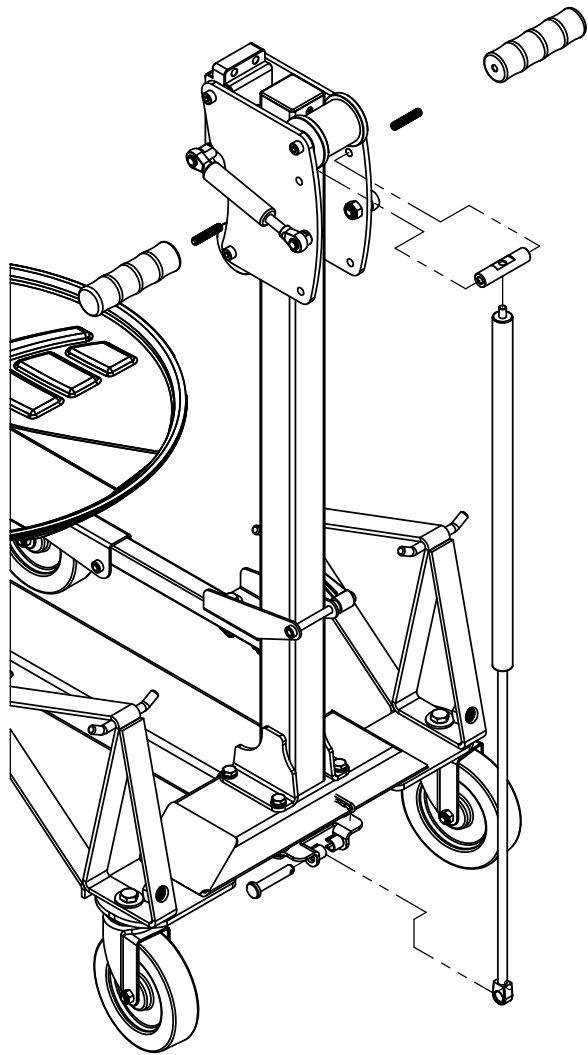




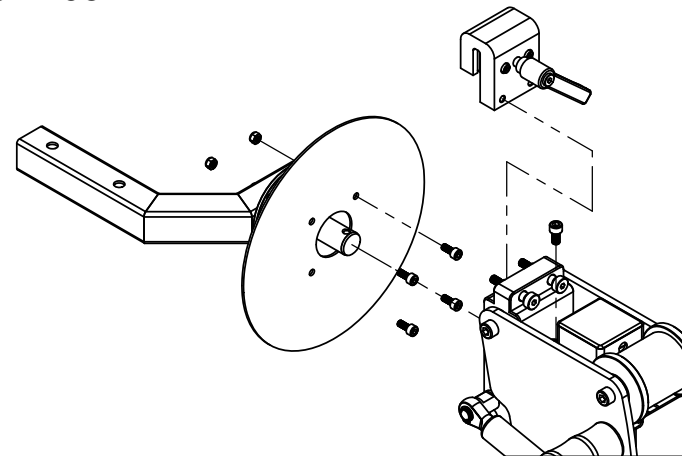
50-2192

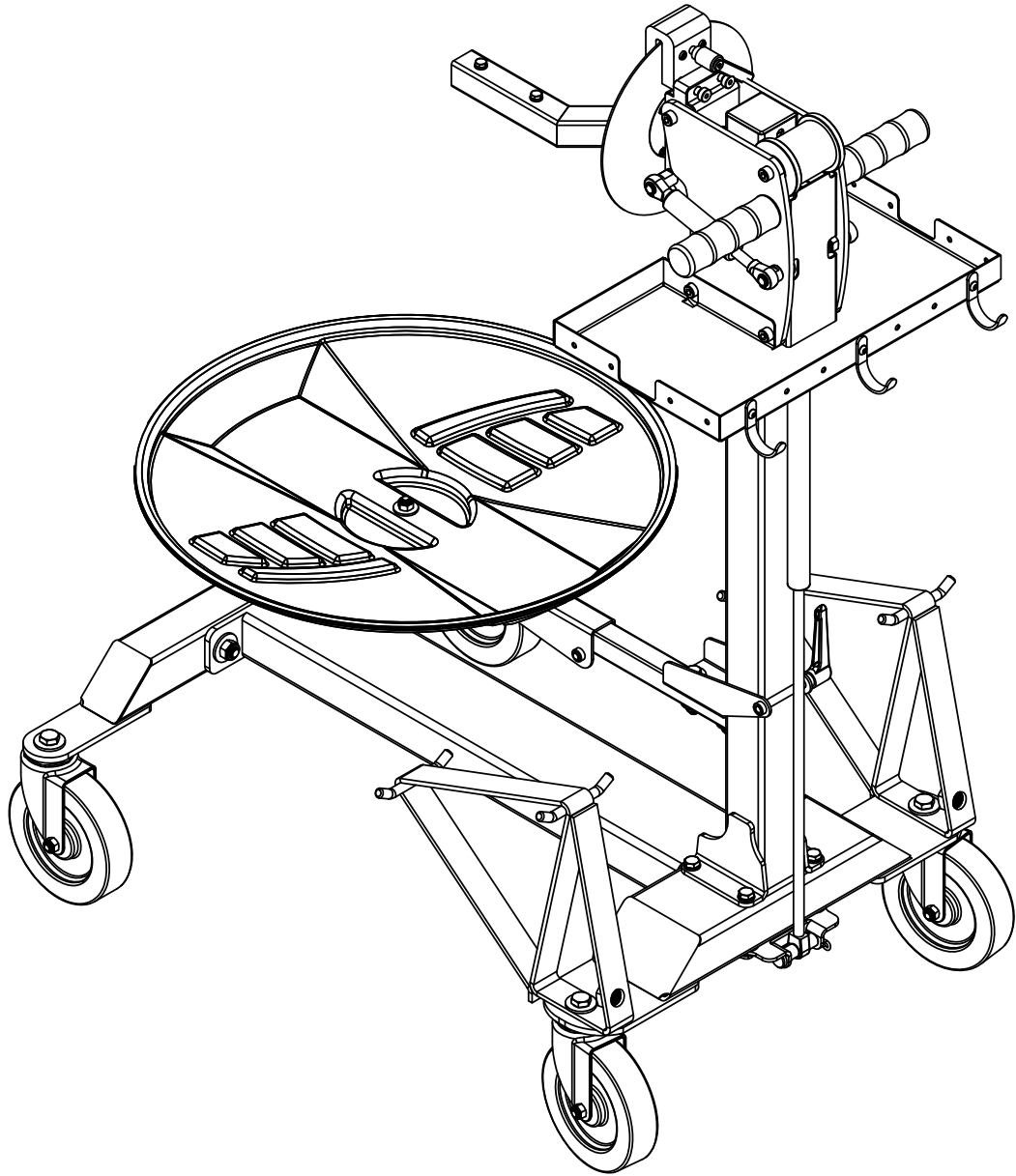
ITEM NO.	PART NUMBER	QTY.
1	50-2047	1
2	50-2048	1
3	50-2029	1
4	37-038	4
5	50-2019	1
6	50-2030	2
7	50-2073.1	1
8	37-304	2
9	37-305	2
10	50-2072.1	2
11	37-064	4
12	50-2071	2
13	50-2076	3
14	50-2016	1
15	50-2074	2
16	50-2075	2
17	37-485	2
18	50-1032	2
19	37-721	2
20	35-239	6
21	37-498	4
22	36-001B	10
23	50-2077	1
24	50-2078	1
25	50-1061	1
26	50-1062	2
27	37-1065	1
28	35-307	2
29	35-815	2
30	37-618	1
31	50-2034	1
32	35-292	4
33	36-172	4
34	50-2041	1
35	37-484	1
36	50-2042	1
37	50-2043	1
38	50-2044	1
39	37-011	1
40	35-293	1
41	37-111	7
42	36-002	3
43	35-252	2
44	50-2018	3
45	35-278	3
46	36-114	3
47	37-496	1
48	37-046	1
49	35-425	2
50	35-414	2
51	37-993	8
52	35-998	2
53	35-304	4
54	37-110	4
55	37-003	4
56	35-360	4
57	36-009	4
58	50-2046	2
59	50-2037	1
60	35-284	1
61	35-158	2
62	37-108	2
63	37-486	1





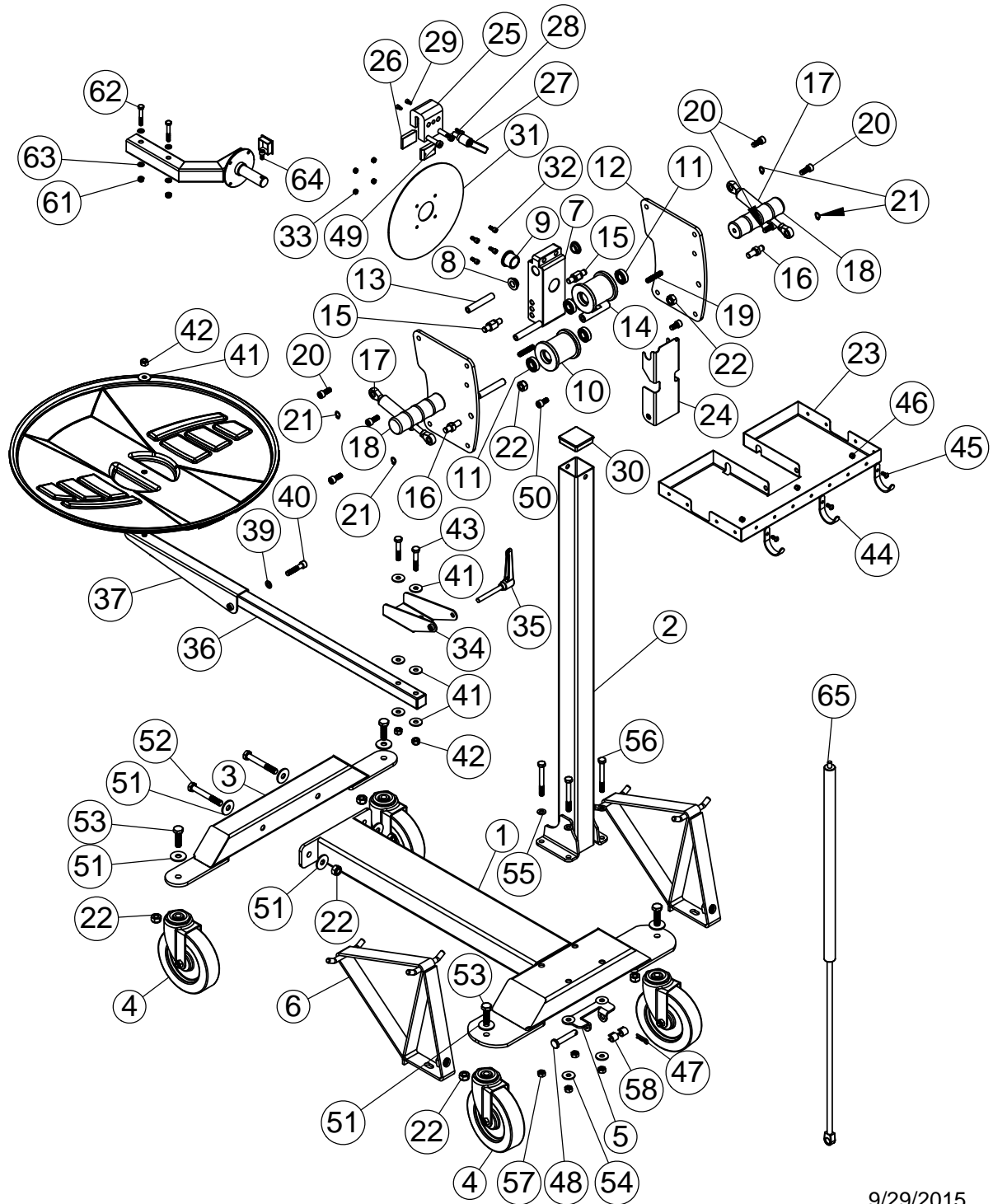
50-2193:

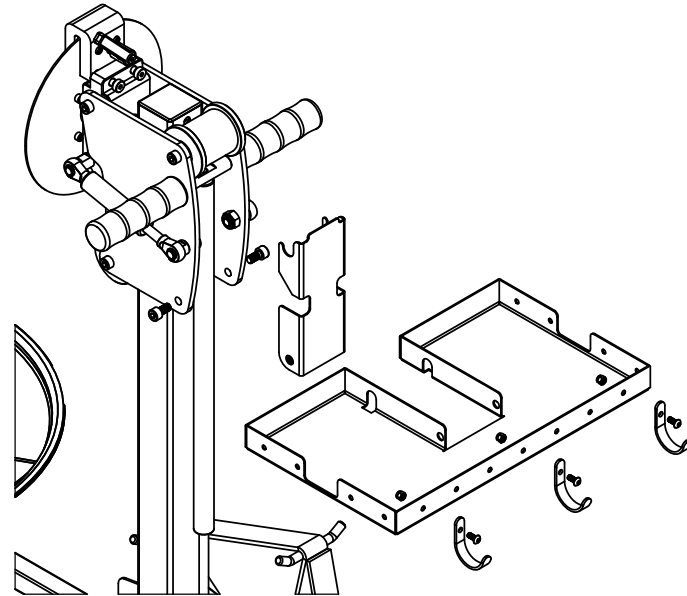
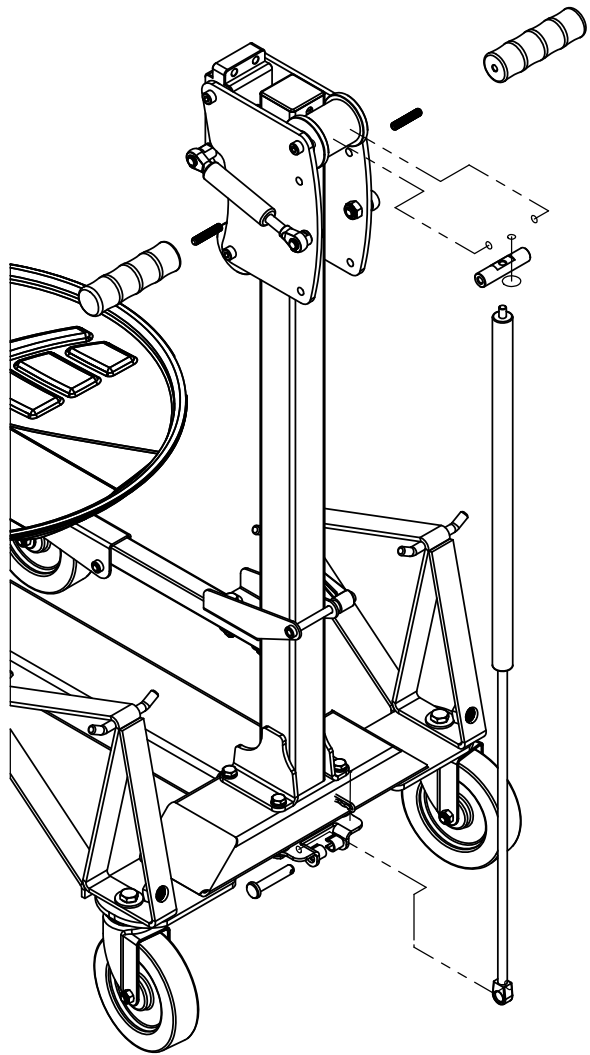




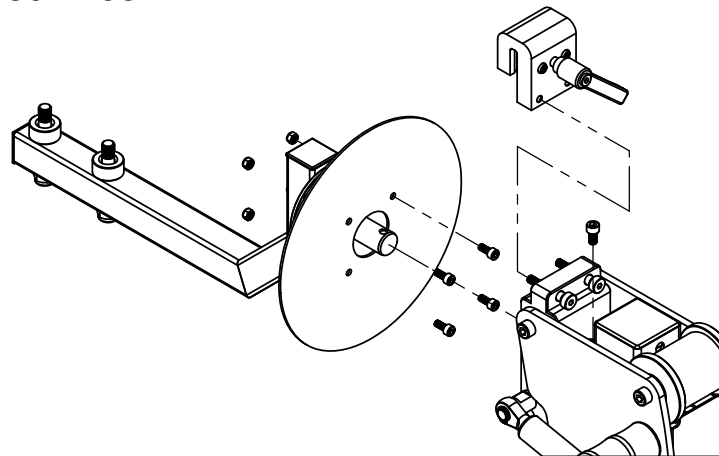
50-2193

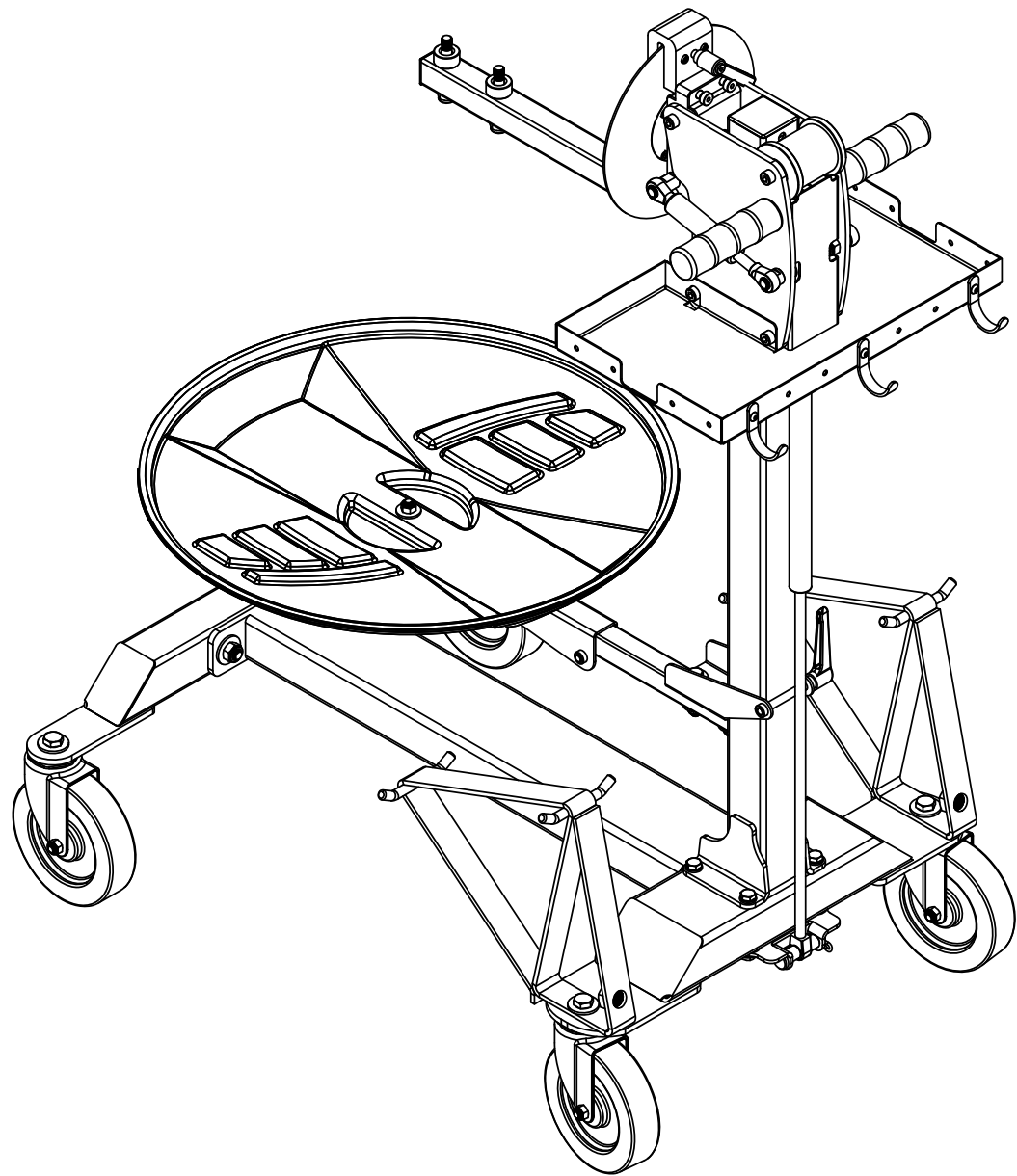
ITEM NO.	PART NUMBER	QTY.
1	50-2047	1
2	50-2048	1
3	50-2029	1
4	37-038	4
5	50-2019	1
6	50-2030	2
7	50-2073.1	1
8	37-304	2
9	37-305	2
10	50-2072.1	2
11	37-064	4
12	50-2071	2
13	50-2076	3
14	50-2016	1
15	50-2074	2
16	50-2075	2
17	37-485	2
18	50-1032	2
19	37-721	2
20	35-239	6
21	37-498	4
22	36-001B	8
23	50-2077	1
24	50-2078	1
25	50-1061	1
26	50-1062	2
27	37-1065	1
28	35-307	2
29	35-815	2
30	37-618	1
31	50-2034	1
32	35-292	4
33	36-172	4
34	50-2041	1
35	37-484	1
36	50-2042	1
37	50-2043	1
38	50-2044	1
39	37-011	1
40	35-293	1
41	37-111	7
42	36-002	3
43	35-252	2
44	50-2018	3
45	35-278	3
46	36-114	3
47	37-496	1
48	37-046	1
49	35-425	2
50	35-414	2
51	37-993	8
52	35-998	2
53	35-304	4
54	37-110	4
55	37-003	4
56	35-360	4
57	36-009	4
58	50-2046	2
59	50-1828	1
60	37-617	1
61	36-020	2
62	35-256	2
63	37-454	4
64	35-284	1
65	37-489	1





50-2195:





50-2195

ITEM NO.	PART NUMBER	QTY.
1	50-2047	1
2	50-2048	1
3	50-2029	1
4	37-038	4
5	50-2019	1
6	50-2030	2
7	50-2073.1	1
8	37-304	2
9	37-305	2
10	50-2072.1	2
11	37-064	4
12	50-2071	2
13	50-2076	3
14	50-2016	1
15	50-2074	2
16	50-2075	2
17	37-485	2
18	50-1032	2
19	37-721	2
20	35-239	6
21	37-498	4
22	36-001B	8
23	50-2077	1
24	50-2078	1
25	50-1061	1
26	50-1062	2
27	37-1065	1
28	35-307	2
29	35-815	2
30	37-618	1
31	50-2034	1
32	35-292	4
33	36-172	4
34	50-2041	1
35	37-484	1
36	50-2042	1
37	50-2043	1
38	50-2044	1
39	37-011	1
40	35-293	1
41	37-111	7
42	36-002	3
43	35-252	2
44	50-2018	3
45	35-278	3
46	36-114	3
47	37-496	1
48	37-046	1
49	35-425	2
50	35-414	2
51	37-993	8
52	35-998	2
53	35-304	4
54	37-110	4
55	37-003	4
56	35-360	4
57	36-009	4
58	50-2046	2
59	50-2234	1
60	37-108	2
61	35-159	2
62	35-285	1
63	36-001B	2
64	37-499	1

