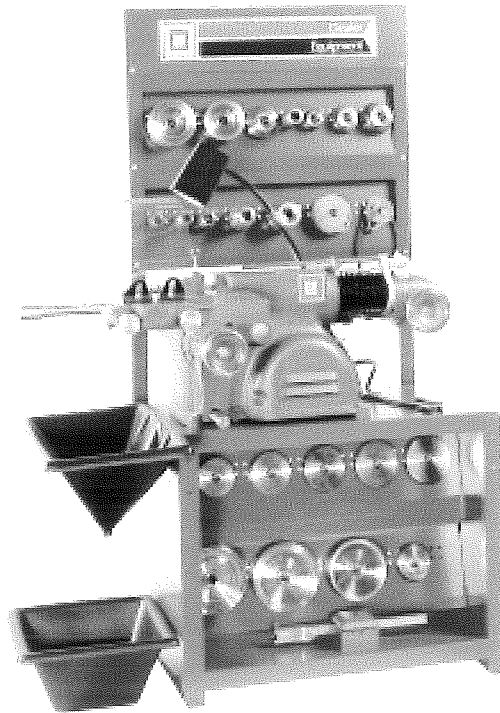




4000 GM

Drum & Disk

BRAKE LATHE



Installation Instructions
Operating Instructions
Safety Instructions
Maintenance Instructions
with Parts Identification

READ these instructions before placing unit in service. KEEP these and other materials delivered with the unit in a binder near the machine for ease of reference by supervisors and operators.

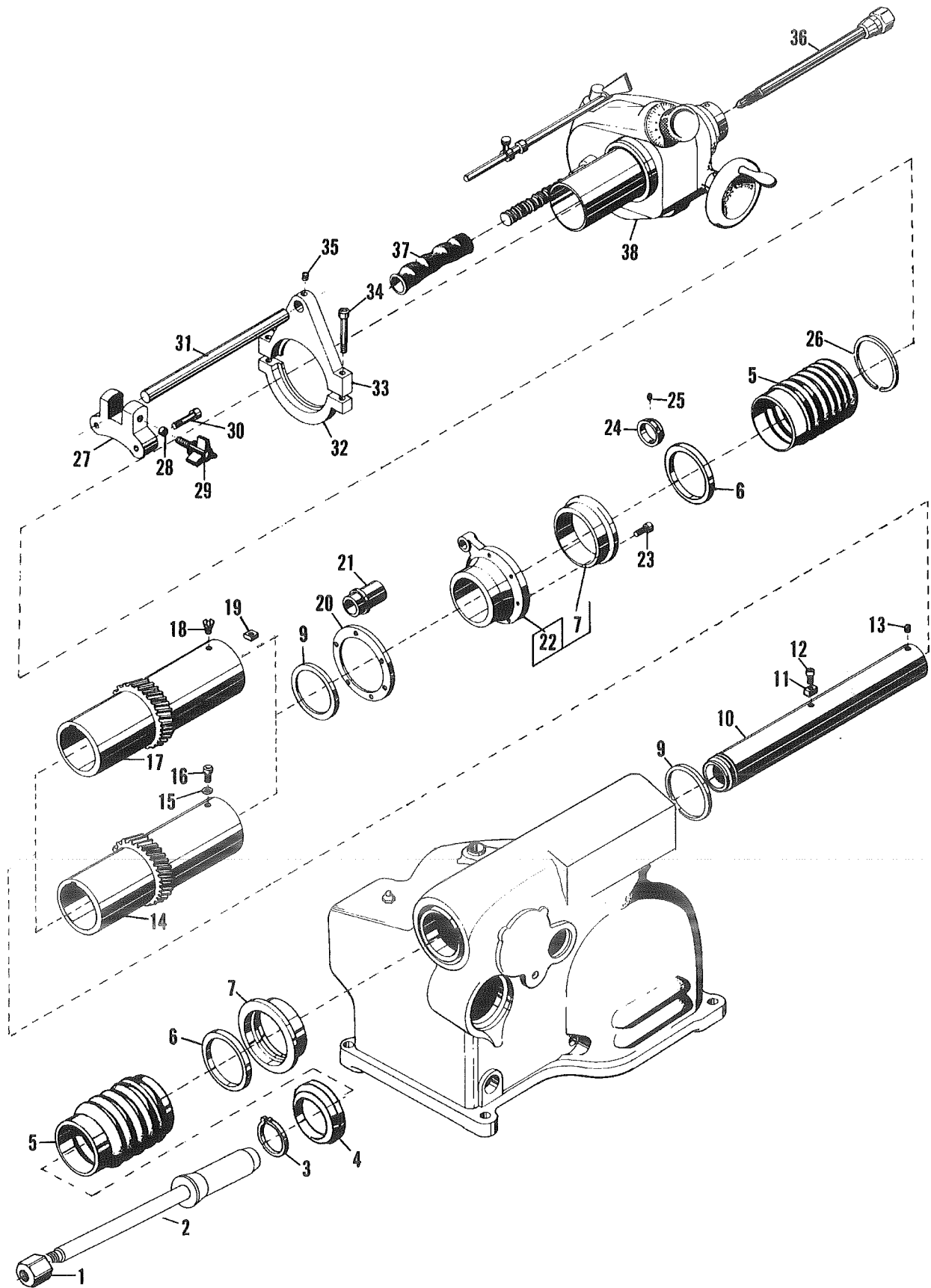
HENNESSY INDUSTRIES, INC.

1601 J. P. Hennessy Drive, LaVergne, TN USA 37086-3565 615/641-7533 800/688-6359

HENNESSY INDUSTRIES INC. Manufacturer of AMMCO®, COATS® and BADA® Automotive Service Equipment and Tools.

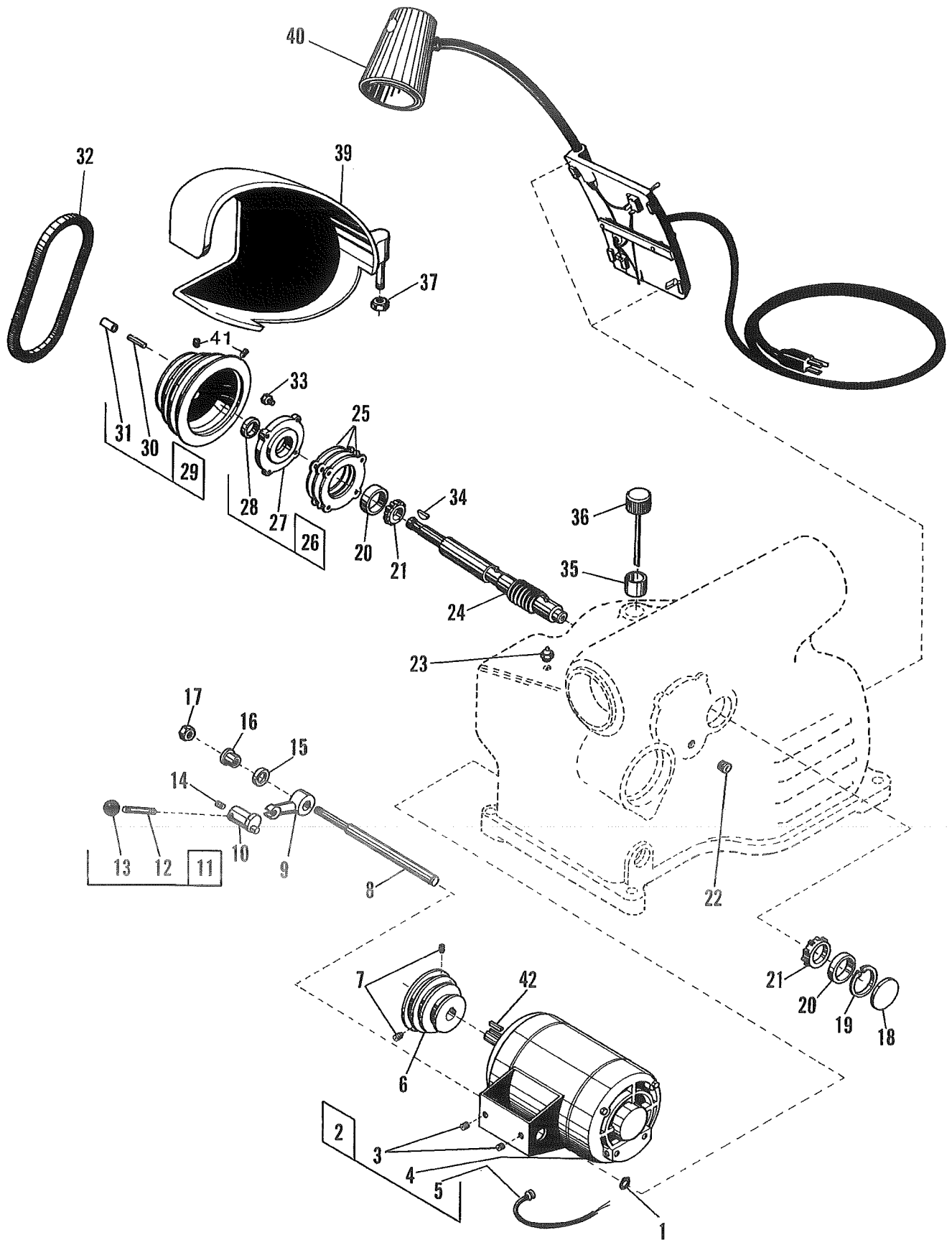
Manual Part No.: 940556 00

Revision: 12/99



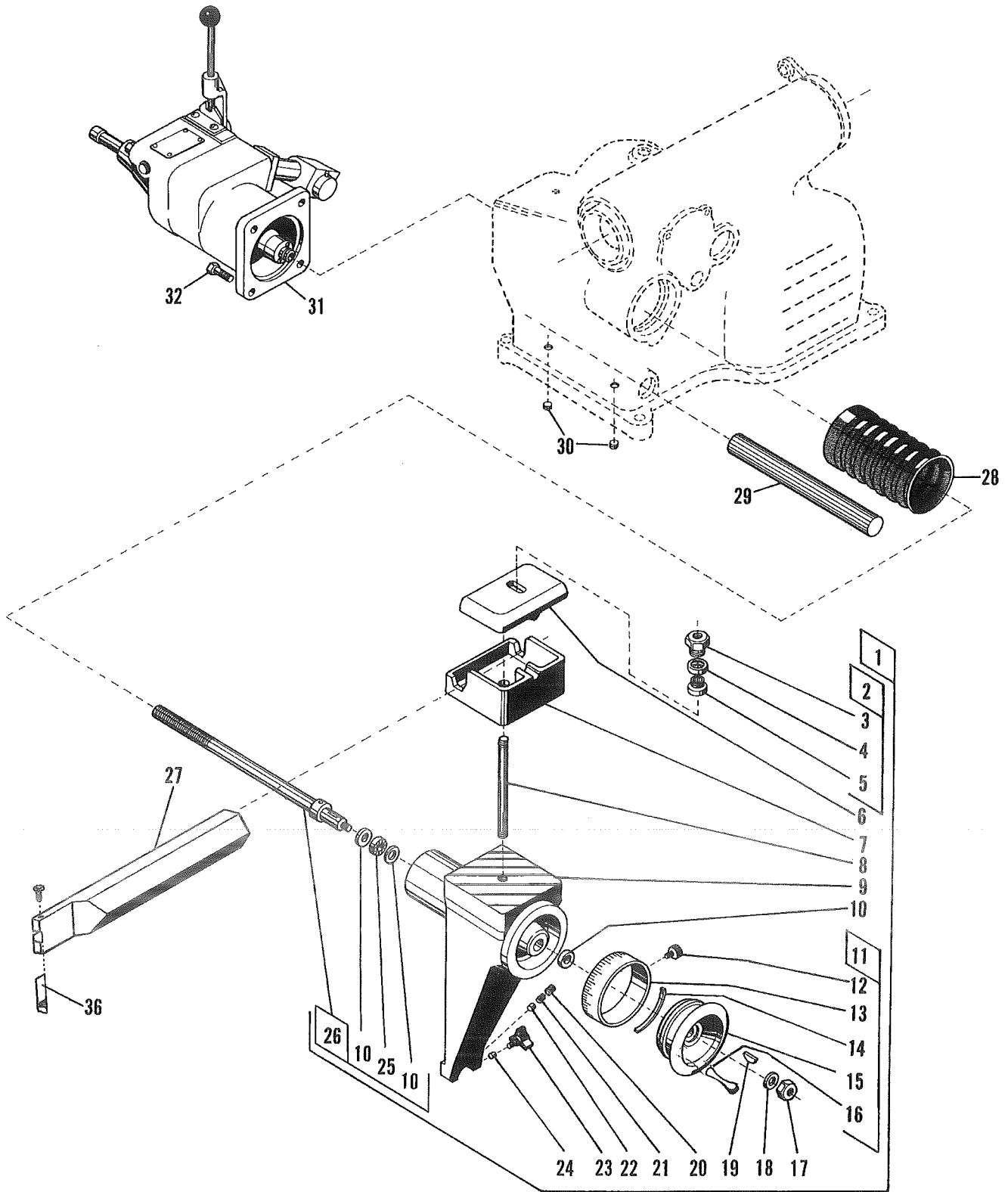
Spindle - 3000, 4000, 4100, 7700

PART			
ITEM	NO.	Qty.	DESCRIPTION
1	3102	1	Nut, arbor
2	3101	1	Arbor
3	3159	1	Ring, retaining
4	23682	1	Ring, adapter
5	3085	2	Boot
6	40720	1	Seal, oil, double-lip
7	3089	2	Ring, oil seal adapter
8	3164	1	Seal, oil
9	3033	2	Washer, thrust
10	3153	1	Spindle body, 3000/4000
11	9831	1	Key, drive
12	6486	1	Screw, cup point set
14	9830	1	Quill, drive, 3000/4000
15	283	1	Washer, lock, 3000/4000
16	1602	1	Screw, hex hd. cap, 3000/4000
17	10216	1	Quill, drive, 4100/7700
18	6868	1	Screw, flat hd., 4100/7700
19	10737	1	Block, keyway, 4100/7700
20	3032	*	Shim (* quantity as required)
21	4670	1	Nut, lead screw, 4000/7000
22	7344R-1	1	Rear flange assembly, 4000 GM
23	209	4	Screw, skt. hd. cap, 4000, 4100
24	4671	1	Nut, take up
25	3338	1	Screw, skt. hd. set
26	4435	1	Ring, boot, 4000/4100
27	9592	1	Clamp, front
28	3142	1	Plug, brass
29	6854	1	Knob
30	3319	2	Screw, skt. hd. cap, 4000 GM
31	9645	1	Rod, lock, 4000
32	9998	1	Clamp, rear, lower
33	9999	1	Clamp, rear, upper
34	6825	2	Screw, skt. hd. cap
35	213	1	Screw, set
36	7005	1	Drawbar & nut assy, 3000/4000
37	3086	1	Boot & spring, 3000/4000
38	3037-GM	1	Feed mechanism, 4000 GM



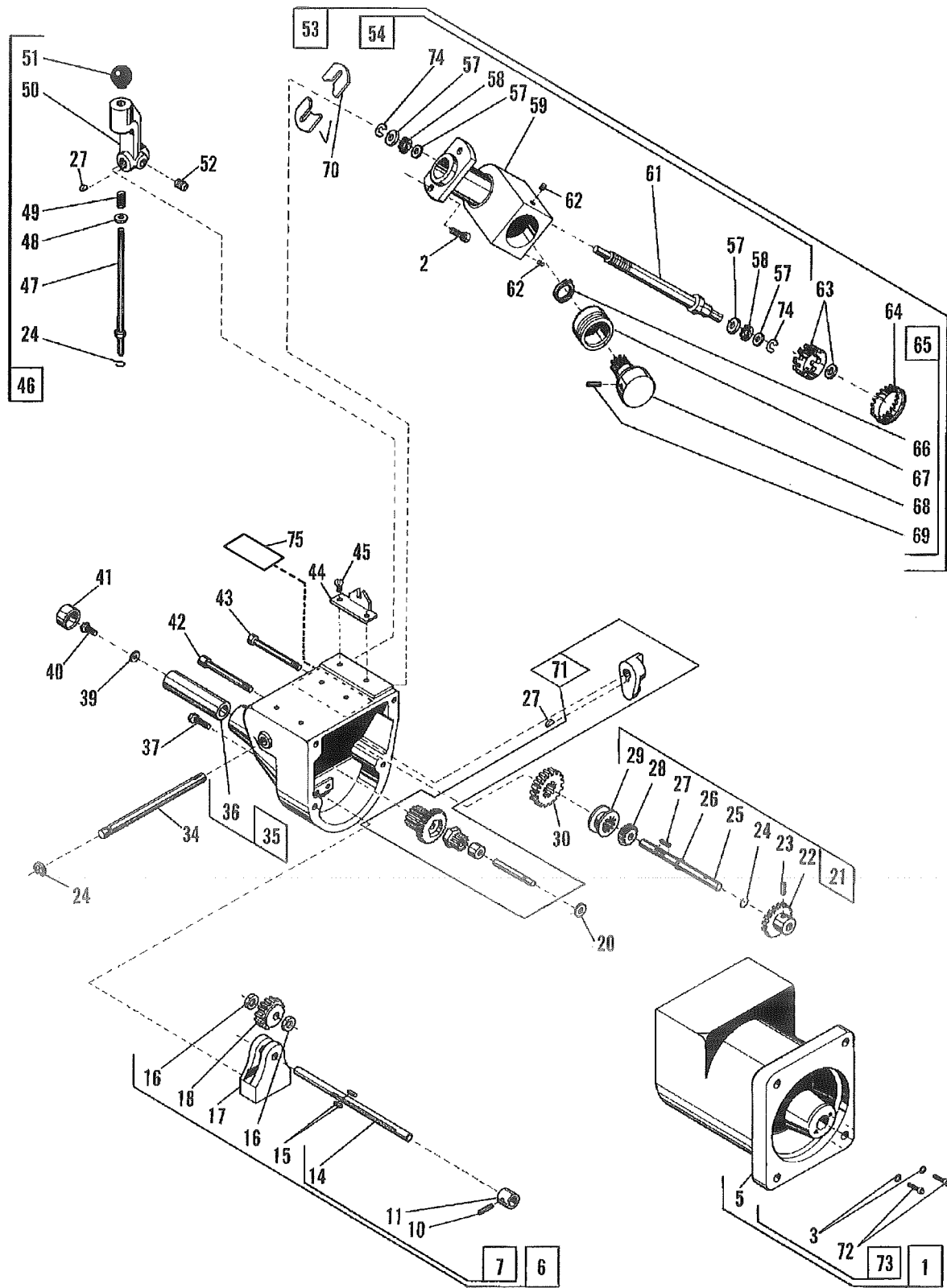
Motor Mount and Drive Shaft

PART				PART			
ITEM	NO.	Qty.	DESCRIPTION	ITEM	NO.	Qty.	DESCRIPTION
1	6766	1	O-ring	25	3169	*	Shim, 0.005"
2	6101	2	Screw, hex hd. cap				(*Quantity as required)
3	21557	2	Washer, lock		3170	*	Shim, 0.007"
4	2165	1	Motor/bracket assembly				(*Quantity as required)
6	40538	1	Pulley, drive, 4000 GM		3171	*	Shim, 0.020"
7	220	2	Set screw, 3000/4000				(*Quantity as required)
8	3023	1	Shaft, motor mount	26	3186	1	Cap and seal assembly
9	3015	1	Lever, belt tension	27	3010	1	Cap, bearing seal
10	3035	1	Pin, eccentric belt release	28	3163	1	Seal, oil
11	7348	1	Lever belt release assembly	29	40581	1	Pulley w/pin and tube, 4000 GM
12	3088	1	Handle, belt release	30	24239	1	Pin, groove, 4000/4100
13	320	1	Knob, ball	31	25588	1	Tube, rubber, 4000/4100
14	3180	1	Screw, socket hd.	32	40141	1	Poly V-belt, GM
15	2364	*	Washer, wave (* quantity as required)	33	236	1	Screw, hex hd. cap
16	3223	1	Bushing, motor mount shaft	34	40139	1	Key, square
17	3377	1	Nut, hex	35	3215	1	Sleeve, oil filler
18	3166	1	Plug, Welch	36	3148	1	Dipstick
19	3172	1	Ring, retaining I.D.	37	11273	1	Nut, self-locking
20	3394	2	Cup, bearing	39	7788-1	1	Guard, belt, GM
21	3393	2	Bearing, Cone	40	10352-2	1	Panel assembly, electrical, GM
22	3372	1	Plug, allen pipe	41	220	2	Screw, set
23	22006	1	Fitting, grease	42	25454	1	Key, square
24	9847-C	1	Shaft, worm w/square key				



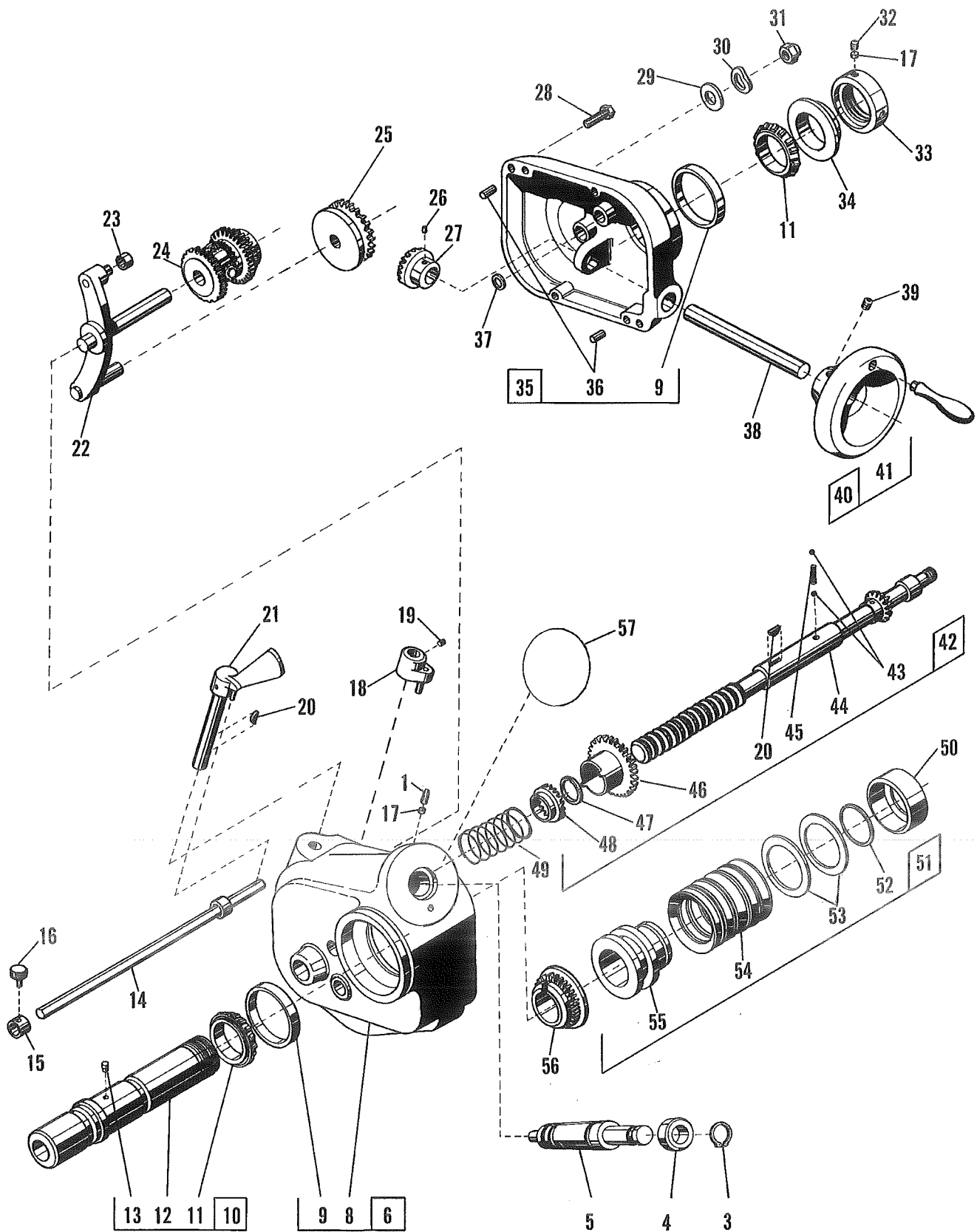
Cross Feed Assembly

ITEM	PART NO.	Qty.	DESCRIPTION
1	7345-1	1	Cross feed assembly, GM
2	11227	1	Nut/washer, hex, self-align, assy.
3	11221	1	Nut, locking
4	11225	1	Retainer
5	11224	1	Washer
6	3017-1	1	Clamp, boring bar, upper, GM
7	20666-1	1	Clamp, boring bar, lower, GM
8	3031	1	Stud, boring bar
9	9835-02	1	Cross feed, GM
10	6874	3	Race
11	9626-1	1	Cross feed handwheel assy., GM
12	6839	1	Screw, set
13	9634	1	Dial
14	9611	1	Spring, dial
15	9633-1	1	Handwheel, GM
16	3026	1	Crank, handwheel
17	2309	1	Nut, handwheel
18	3214	1	Washer, flat
19	3176	1	Key, woodruff
20	220	1	Screw, set
21	2064	1	Spring
22	9836	1	Plug
23	6854	1	Knob, locking
24	3142	1	Plug, brass
25	6873	1	Bearing, needle thrust
26	3211-1	1	Lead screw assy.
27	29240	1	Boring bar and screw assy.
28	3087	1	Boot and spring assy.
29	10346	1	Bar, guide
30	1680	2	Screw, hex hd. set
31	7751-GM	1	Gearbox assy., 4000 GM
32	237	4	Screw, cap, 4000/4100/7500
36	40558	1	Tool bit holder assembly, drum
	7681	1	Carbide insert, positive rake



Disc Brake Feed Mechanism, #7751-GM

PART				PART			
ITEM	NO.	Qty.	DESCRIPTION	ITEM	NO.	Qty.	DESCRIPTION
1	10870-11	1	Gear case assy., GM	54	24241	1	Worm drive assy.
2	3221	4	Screw, socket head	57	6872	4	Washer, travel
3	3910	2	Washer, lock	58	6871	2	Bearing, needle thrust
5	7790-1	1	Case, gear, GM	59	7998-1	1	Housing and Bushing assy., GM
6	40718	1	Coupling assy.	61	7992	1	Worm drive assy.
7	40719	1	Universal coupling assy.	62	6834	2	Screw, cone point set
10	40403	1	Pin, roll	63	7996	1	Shear gear and ring assy.
11	40717	1	Coupling	64	6446	1	Plug, dot
14	10340	1	Rod, drive	65	9821	1	Coupling assy.
15	6937	2	Pin, dowel	66	3174	1	Ring, retaining
16	6973	2	Washer, thrust	67	9825	1	Spacer and bushing assy.
17	7775	1	Trap	68	9822	1	Coupling and gear assy.
18	7778	1	Gear, drive	69	4096	1	Pin, roll
20	6350	1	Washer, bone shim	70	7908	2	Shim, 0.005"
21	9814	1	Shifter shaft assy.		7903	2	Shim, 0.010"
22	7994	1	Gear, helix		7904	2	Shim, 0.020"
23	4006	1	Pin, roll		7905	2	Shim, 0.030"
24	5613	2	Ring, retaining	71	24516	1	Shifter & intermediate gear assy.
25	7764	1	Shaft, clutch	72	28367	2	Screw, cap
26	6138	1	Ring, Retaining	73	28529	1	Lead screw nut kit
27	3176	5	Key, woodruff	74	5639	2	Ring, retaining
28	9816	1	Gear, fine feed	75	40529	1	Decal
29	9813	1	Clutch				
30	9812	1	Gear, coarse feed				
34	7748	1	Shaft, shift				
35	7902-1	1	Gear case cover and tube assy., GM				
36	7783	1	Tube				
37	3221	2	Screw, socket hd. cap				
39	4789	1	Washer				
40	6254	1	Screw, socket hd. cap				
41	6974	1	Cap, tube				
42	6392	2	Screw, hex hd. machine				
43	6391	2	Screw, hex hd. machine				
44	40521	1	Plate, index, GM				
45	4508	2	Screw, round hd. machine				
46	7742	1	Shifter handle assy.				
47	7746	1	Pin, shifter handle				
48	6451	1	Washer				
49	7699	1	Spring				
50	7744	1	Body, shifter handle				
51	320	1	Knob, ball				
52	220	1	Screw, set				
53	9815	1	Driven assembly., GM				



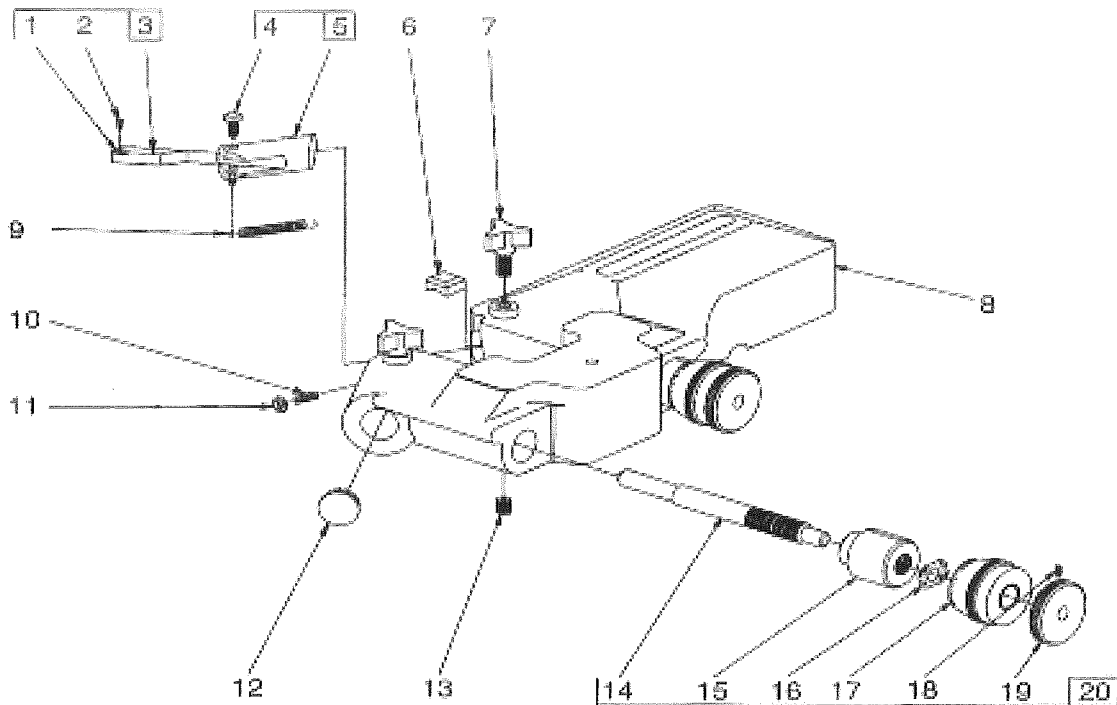
Variable Feed Gearbox Assy. 3037-GM

ITEM	PART NO.	Qty.	DESCRIPTION
1	2308	1	Screw, allen set
3	3097	1	Ring, retaining
4	9930	1	Bearing, thrust
5	40533	1	Screw, feed adjusting, GM
6	3715-1	1	Gear case assy.
8	25182-1	1	Gear case, GM
9	3392	1	Cup, bearing
10	7007	1	Spindle extension assy.
11	3391	1	Bearing, taper roller
12	3154	1	Spindle extension
13	3092	1	Pin, groove
14	3040	1	Shut-off assy., 3000/4000
15	3039	1	Collar, stop
16	3084	1	Screw, knurled
17	3141	2	Plug, brass
18	3058	1*	Clutch shifter assy.
19	212	1	Screw, allen set
20	4449	2	Key, Hy-Pro
21	3042	1*	Clutch handle and shaft assy.
22	7343	1*	Feed control lever and differential assy.
23	3036	1	Roller
24	7338	1	Pinion bushing assy.
25	3081	1*	Driven friction disc & bearing assy.
26	3098	1	Screw, dog point set
27	3069	1	Gear, miter
28	3094	4	Screw, socket hd. cap
29	3324	4	Washer
30	6155	1	Washer, wave
31	3184	1	Nut, stop
32	213	1	Screw, allen set
33	9443	1	Nut, bearing lock
34	9444	1	Washer, spherical
35	9498-1	1	Gear case cover assy.
36	3038	2	Pin, dowel
37	4641	1	Washer, bone fiber
38	3054	1	Shaft
39	220	1	Screw, set
40	3090-1	1*	Handwheel assy., GM
41	3026	1	Handle, crank
42	8235	1	Lead screw & clutch assy. 3000/4000
43	311	2	Ball, steel
44	9918	1*	Lead screw/miter gear assy. 3000/4000

ITEM	PART NO.	Qty.	DESCRIPTION
45	3060	1	Spring, clutch
46	3047	1	Gear, sliding clutch
47	6163	1	Ring, retaining
48	7264	1	Clutch jaw
49	7263	1	Spring, coil
50	3061	1	Cup, spring loading
51	3082	1	Friction disc assy.
52	3093	1	Ring, retaining
53	3064	2	Washer
54	3062	10	Spring, Belleville
55	3078	1	Disc, sliding friction
56	3077	1	Clutch, fixed friction
57	40530	1	Decal

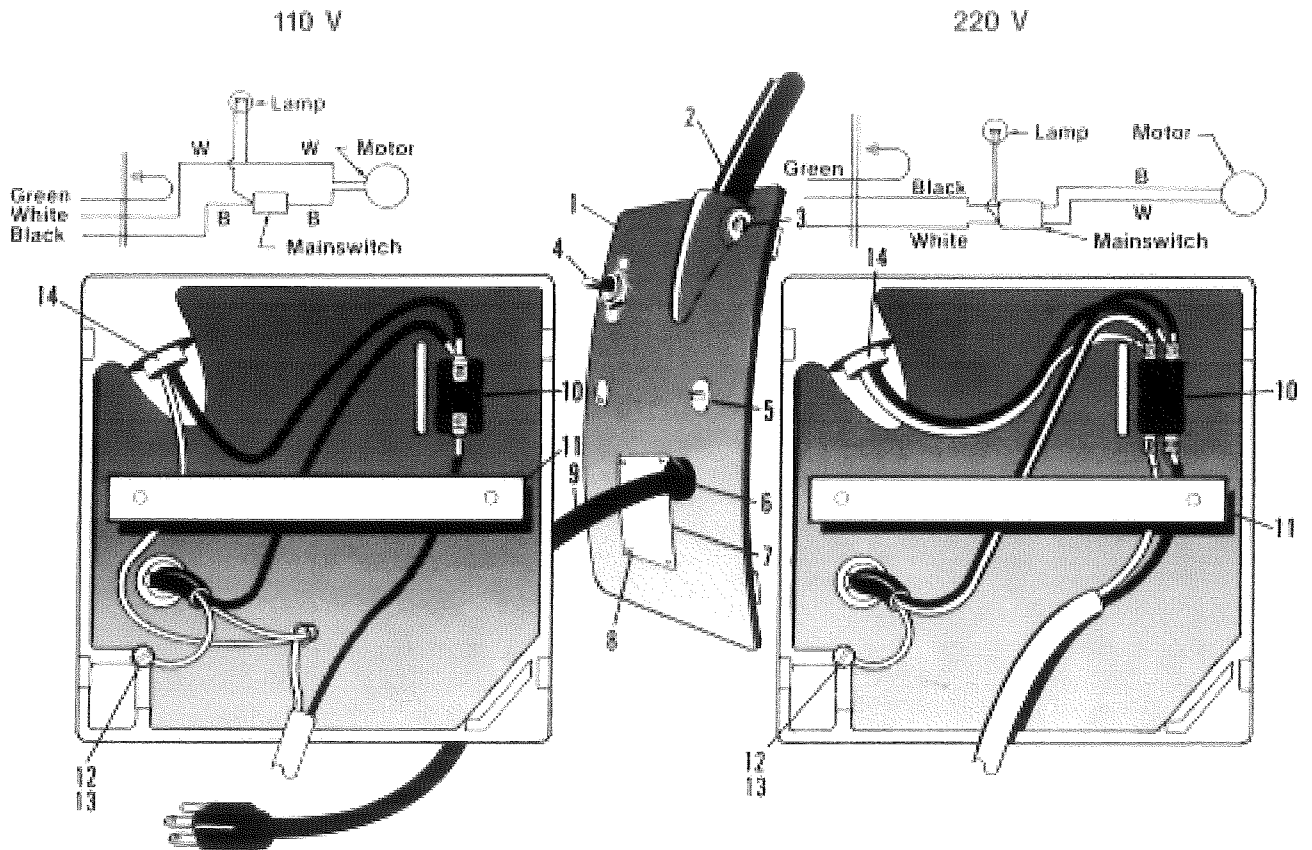
*Sold as assy. only

6950 Twin Cutter



ITEM	PART NO.	Qty.	DESCRIPTION
1	7681	2	Carbide Insert, Positive Rake
2	6499	2	Screw, #4-40 x .25 Oval Head
3	40559	1	Holder, Tool Bit, Right Hand, Positive Rake
	40560	1	Holder, Tool Bit, Left Hand, Positive Rake
4	9249	2	Screw, Square Head Set
5	10650	1	Tool Holder, Left Hand
	10651	1	Tool Holder, Right Hand
6	28584	2	Gib, Brass, Tool Holder
7	6854	1	Screw, Lock
8	28572-4	1	Twin Cutter Housing, GM
9	6905	1	Spring
10	9879	2	Screw, Locating
11	3528	2	Nut, Hex
12	6977	2	Plug, Dot
13	6109	2	Screw, 3/8-16 Set
14	6908	2	Rod, Dial
15	6906	2	Plug, Dial
16	6929	2	Washer, Spring
17	6907	2	Dial, Micrometer
18	3338	2	Screw, Set
19	6923	2	Knob, Dial Rod
20	6901	1	Dial Assy.

Electrical Panel Assembly



ITEM	PART NO.	Qty.	DESCRIPTION
1	10348-1	1	Panel, electrical, GM
2	7963	1	Lamp
3	220	1	Set Screw
4	1185	1	Switch, Plate
5	3183	2	Screw, round head machine
6	6058	1	Grip, cord, 110 V
	6077	1	Grip, cord, 220 V
7	20463	1	Plate, electrical caution
8	306	4	Screw, drive
9	7209	1	Cord, set, 110 V
	7210	1	Cord, set, 220 V
10	6893	1	Switch, 110 V
	21464	1	Switch, 220 V
11	3079	1	Strap, clamp
12	21972	1	Screw, Self Tapping
13	1926	1	Washer, lock
14	2889	1	Bushing, insulated

Not Shown:

- 22763 - Replacement lamp switch & socket
- 22764 - Replacement dust boot for lamp