

# Sleep.8

EN

PT

ES

LV

EL

ET

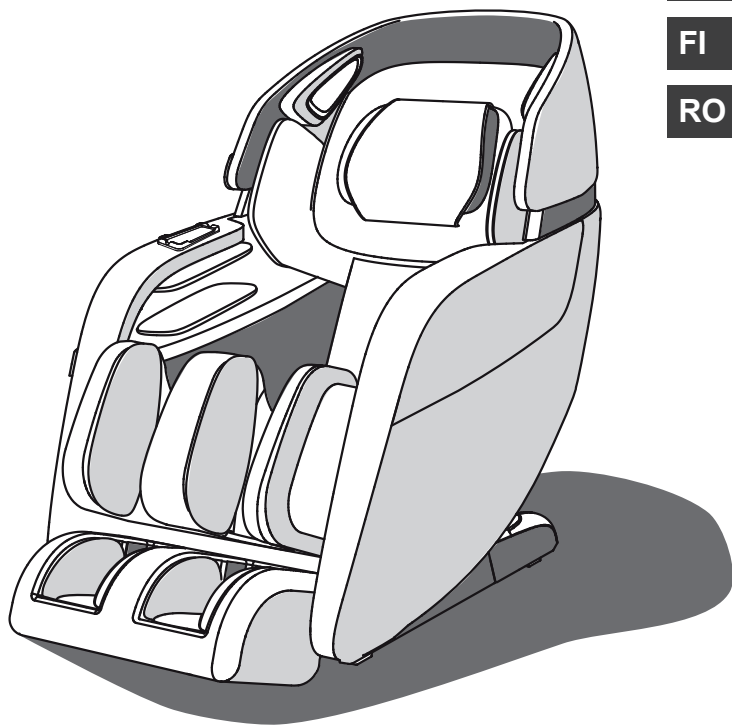
FR

RU

DE

FI

RO

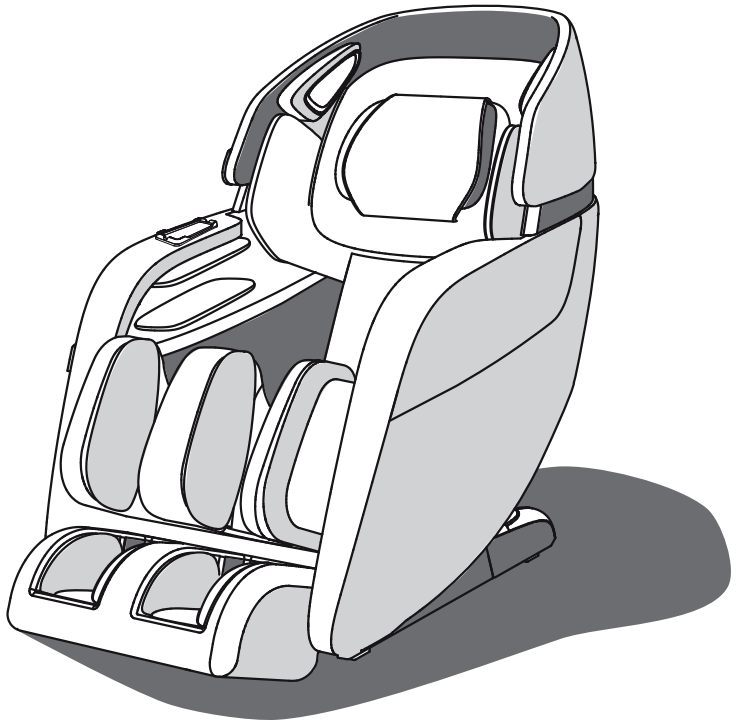


**Multi-function Massage Chair**

Black Edition (RT5862)

EN	2
PT	29
ES	56
LV	83
EL	110
ET	137
FR	164
RU	191
DE	218
FI	244
RO	270

# Sleep.8



Thank you for purchasing this product. Please read this user manual carefully before using appliance to ensure proper operation. Please keep this USER MANUAL properly for further reference.





## CONTENTS

---

SAFETY PRECAUTIONS .....	4
NAME AND FUNCTION OF EACH COMPONENT .....	6
External Structure .....	6
Internal Structure .....	6
Controller .....	7
Remote Control User Guide .....	8
PREPARATION .....	14
Legrest Massage Unit Instruction .....	14
Installation Method .....	15
Move Method .....	19
Connect To Power .....	19
Installation Site .....	20
Commissioning .....	22
Before Sitting .....	23
Footrest Extension .....	23
Audio Function .....	23
After Use .....	24
CONNECT TO SMART PHONES OR TABLETS .....	24
App Download .....	24
Android System .....	24
Prerequisites .....	24
CARE AND MAINTENANCE .....	25
TROUBLE SHOOTING .....	26
TECHNICAL SPECIFICATION .....	27

# SAFETY PRECAUTIONS


- ▶ Precautions listed below will help to ensure proper use of this appliance.
- ▶ The hazard that may cause by incorrect use are classified into “WARNING” and “CAUTION”; please ensure that you read all instructions before using the massage chair.

 <b>WARNING</b>	Improper operation may cause severe personal injury or substantial property damage.
 <b>CAUTION</b>	Improper operation may cause personal injury or product damage.

	Prohibited		No Disassemble
---	------------	---	----------------

## Not Suitable For Below Persons


We recommend that those with any of the following conditions should consult your physician before using.

 <b>WARNING</b>	<ul style="list-style-type: none"> <li>◆ Those who are using electronic medical instrument embedded in the body, such as cardiac pacemaker.</li> <li>◆ Those undergoing treatment, especially those who are not feeling well.</li> <li>◆ Those with malignant tumors or malignant abscesses.(Need to be supervised)</li> <li>◆ Women who are pregnant or menstruating.</li> <li>◆ Those with osteoporosis or fracture spine.</li> <li>◆ Those with skin disease or those whose skins are injured.</li> <li>◆ Those with high fever.</li> <li>◆ Close supervision is necessary when this product is used by, on, or near children, invalids, or disabled persons</li> <li>◆ The appliance has a heated surface, Persons insensitive to heat must be careful when using the appliance.</li> <li>◆ This appliance can be used by children aged from 8 years and above and persons with reduced physical, sensory or mental capabilities or lack of experience and knowledge if they have been given supervision or instruction concerning use of the appliance in a safe way and understand the hazards involved.</li> <li>◆ Children shall not play with the appliance.</li> <li>◆ Cleaning and user maintenance shall not be made by children without supervision.</li> </ul>
---	--

## Control Buttons Precautions

 <b>CAUTION</b>	<ul style="list-style-type: none"> <li>◆ Do not operate the control buttons with wet hands.</li> <li>◆ Do not spill water or other liquid onto the control buttons to avoid fault.</li> </ul>
---	---


## Cautions Regarding the Adapters and Cord

 <b>CAUTION</b>	<ul style="list-style-type: none"> <li>◆ Always unplug this appliance from the electrical outlet immediately after using and before cleaning.</li> <li>◆ An appliance should never be left unattended when plugged in, Unplug from outlet when not in use.</li> <li>◆ Unplug from outlet during thunder or lightening storms, and before putting on or taking off parts.</li> <li>◆ Never operate this appliance if it has a damaged cord or plug, if it is not working properly, if it has been dropped or damaged, or dropped into water. Return the appliance to a service center for examination and repair.</li> <li>◆ Do not use a damp hand to unplug the cord to avoid electric shock.</li> <li>◆ Check that the power voltage stated on the rating label corresponds to your local electricity supply.</li> <li>◆ Do not drag the cord, reach to the front plastic end to unplug it.</li> <li>◆ Do not squeeze, over bend, pull hard, twist the cord.</li> <li>◆ Keep the cord away from heated surfaces.</li> <li>◆ Do not carry this appliance by supply cord or use cord as a handle.</li> <li>◆ To disconnect, turn all controls to the off position, then remove plug from outlet.</li> <li>◆ The appliance is only to be used with the power supply unit provided with the appliance.</li> <li>◆ It must only be supplied at safety extra low voltage corresponding to the marking on the appliance.</li> <li>◆ If the supply cord is damaged, it must be replaced by the manufacturer or its service agent or a similarly qualified person in order to avoid a hazard.</li> </ul>
---	---






# SAFETY PRECAUTIONS

## Best Circumstances

 <b>CAUTION</b>	<ul style="list-style-type: none"> <li>◆ Do not operate under blanket or pillow. Excessive heating can occur and cause fire, electric shock, or injury to persons.</li> <li>◆ Do not use this appliance where temperature is over 40°C.</li> <li>◆ Do not use this appliance in humid or dusty environment, or when any part of the body is in contact with plumbing or any similar ground.</li> <li>◆ Never operate the appliance with the air openings blocked. Keep the air openings free of lint, hair, and the like.</li> <li>◆ Do not use outdoors.</li> <li>◆ Do not operate where aerosol (spray) products are being used or where oxygen is being administered.</li> <li>◆ Please place the product on the flat level floor.</li> <li>◆ Do not store near heat or open flame.</li> <li>◆ Connect this unit to a properly grounded outlet only. See Grounding Instructions.</li> </ul>
---	--

## Best Practices For Safe Use

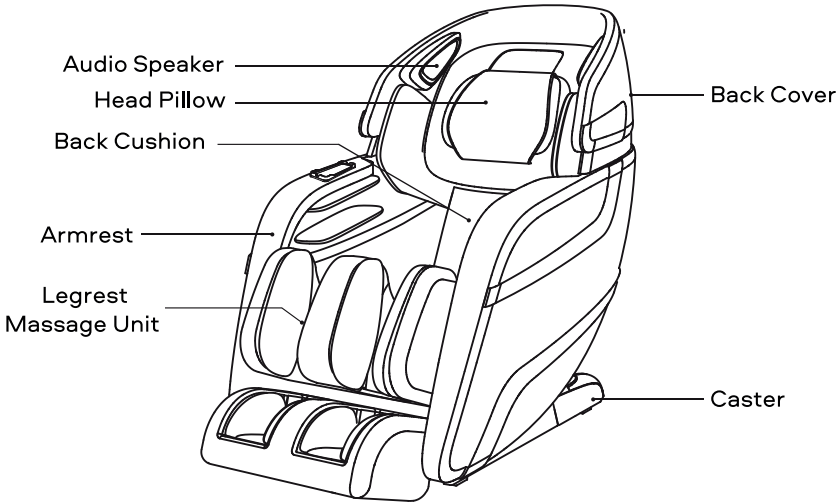
 <b>CAUTION</b>	<ul style="list-style-type: none"> <li>◆ Only for users weighs below 120kg.</li> <li>◆ Use this product only for its intended use as described in this manual. Do not use attachments not recommended by the manufacturer.</li> <li>◆ Do not use the product for therapeutic treatment purpose.</li> <li>◆ Appliance should only be used by one person, do not use by two or more persons at the same time to avoid damage to the products.</li> <li>◆ Do not use the product right after meal, it may cause discomfort.</li> <li>◆ Remove the accessories from the arms and empty the pockets while use the massage services.</li> <li>◆ Check the upholstery under the cushions and other spots, if any damages are present, do not use it and refer to a qualified service professional for servicing.</li> <li>◆ If you feel any abnormal discomfort during the operation of this product, turn off the power immediately and do not use the product.</li> <li>◆ Make sure there is no obstacles behind the chair and there is enough clearance before adjusting the backrest or legrest angle.</li> <li>◆ Use the appliance for 20 minutes each time is highly recommended</li> <li>◆ Make sure no other excessive load pressed on the backrest or legrest besides the user.</li> <li>◆ Make sure there is no children, pets or other objects under the backrest or legrest.</li> <li>◆ Please be seated properly while using the appliance.</li> <li>◆ Do not drag or push the chair or roll on its caster on wood floor or carpet to avoid damage.</li> </ul>
 <b>PROHIBITED</b>	<ul style="list-style-type: none"> <li>◆ Do not stand on or stack heavy objects on the footrest.</li> <li>◆ Do not fall into sleep while the product is operating.</li> <li>◆ Avoid using the product under the influence of alcohol.</li> <li>◆ Never drop or insert any object into any openings.</li> <li>◆ If there is any smoke or unusual smell while using, stop using immediately, unplug the power cord.</li> </ul>
 <b>NO DISASSEMBLY</b>	<ul style="list-style-type: none"> <li>◆ Do not disassemble this product yourself to avoid failure.</li> <li>◆ Do not dismantle, fix or modify the yourself, Please contact authorized dealer or service agent.</li> </ul>



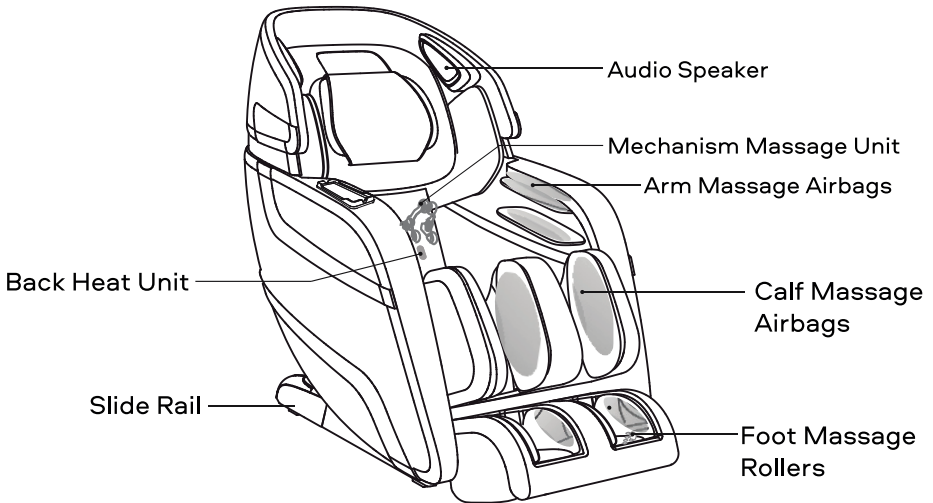
# NAME AND FUNCTION OF EACH COMPONENTS

---

## External Structure



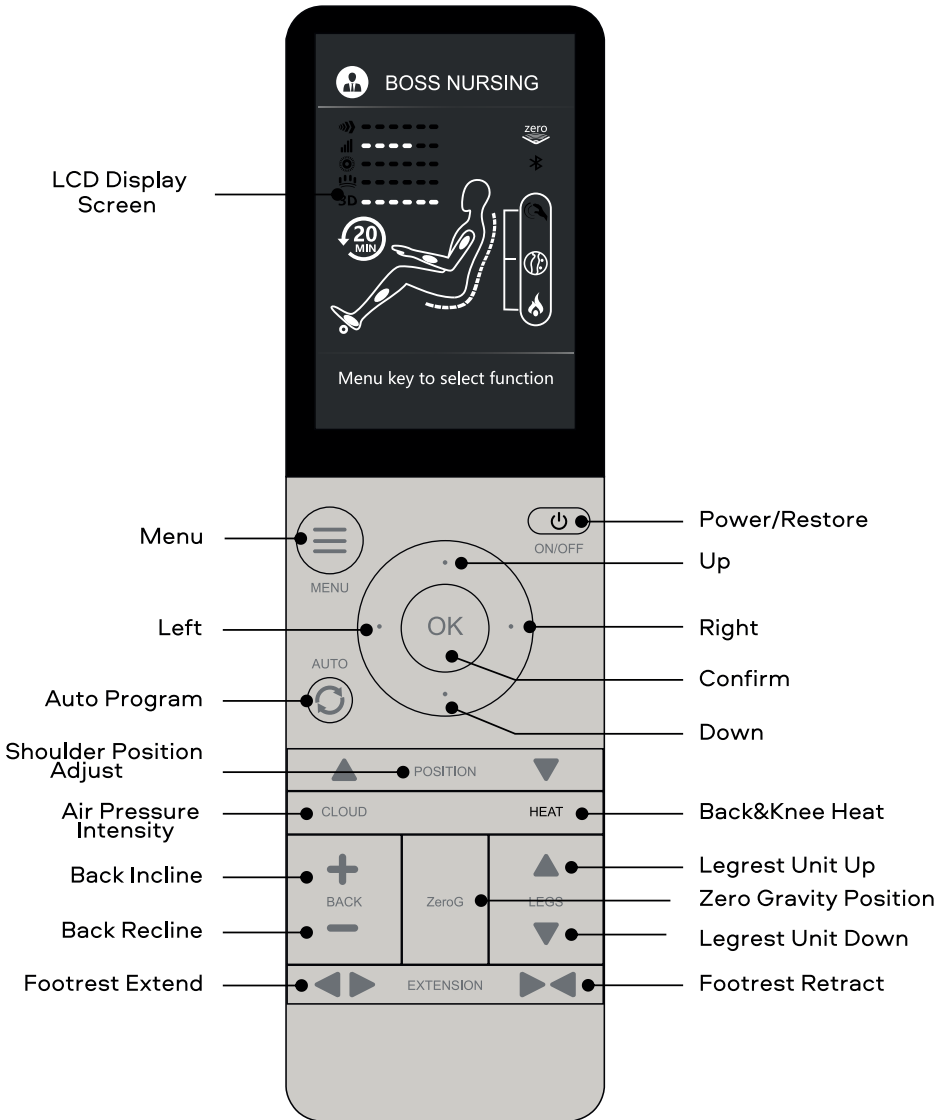
## Internal Structure





# NAME AND FUNCTION OF EACH COMPONENTS

## Controller





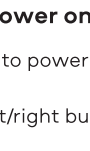

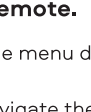






# NAME AND FUNCTION OF EACH COMPONENTS

## Instruction Of Controller

	<p><b>Power: Press this button to power on/off the remote.</b></p> <ul style="list-style-type: none"><li>▶ Press this button while connect to power to show the menu display, the LCD</li><li>▶ Screen is lit,use the up/down/left/right buttons to navigate the screen, press OK to select.</li><li>▶ Press this button again to turn off the product.chair be covered, the power cord be coiled and that the unit be placed in an environment free of dust and moisture.</li></ul>
	<p><b>Menu</b></p> <ul style="list-style-type: none"><li>▶ Display the Auto Program, Manual Program, 3D Massage, Airbags, Heat, Setting function.(Check the Display Menu for detailed information)</li></ul>
	<p><b>Shoulder Position Adjust ( slightly adjust mechanism up/down the shoulder)</b></p> <ul style="list-style-type: none"><li>▶ Press and hold on Shoulder Position Adjust button to adjust the rollers to the desired position while under manual program or 4D Zone/Spot massage mode.</li><li>▶ Press and hold on Shoulder Position Adjust button to adjust the rollers to the desired position while under the body scan procedure.</li></ul>
	<p><b>Auto Program Button</b></p> <ul style="list-style-type: none"><li>▶ Display the Auto Program menu.when an auto program is running,press this button to toggle among the auto programs. The active program displays at the top of the status screen.(Check the Display Menu for detailed information.)</li></ul>
	<p><b>Navigation</b></p> <ul style="list-style-type: none"><li>▶ Use the up/down/left/right buttons to navigate the screen, press OK to select. Top of the status screen.(Check the Display Menu for detailed information.)</li></ul>
	<p><b>Zero Gravity Position</b></p> <ul style="list-style-type: none"><li>▶ Press to position the chair in Zero Gravity Position mode,press again to close the Zero Gravity Position mode.</li></ul>
	<p><b>Legrest Unit Up</b></p> <ul style="list-style-type: none"><li>▶ Press and hold to raise the legrest unit; release the button to stop.</li></ul> <p><b>Legrest Unit Down</b></p> <ul style="list-style-type: none"><li>▶ Press and hold to lower the legrest unit; release the button to stop.</li></ul>



# NAME AND FUNCTION OF EACH COMPONENTS



## Back Incline

▶ Press and hold to incline the backrest; release the button to stop.

## Back Recline

▶ Press and hold to recline the backrest; release the button to stop.



## Footrest Extend

▶ Press and hold to extend the footrest; release the button to stop.  
(Make sure there is no obstruction in advance)



## Footrest Retract

▶ Press and hold to retract the footrest; release the button to stop.  
(Make sure there is no obstruction in advance)

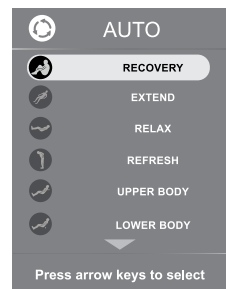
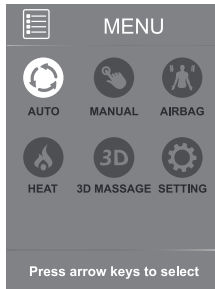
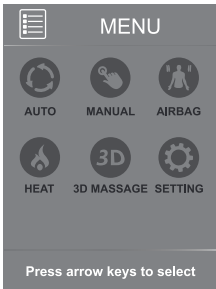
### **WARNING**

▶ After using, press Power button to restore the chair, press any button on the controller to stop the restoration, press Power button again for further operation.

## Instruction Of Controller

### Auto Program

▶ Press to display the Auto Program menu, press this button to toggle among 9 Auto Program: RECOVERY, EXTEND, RELAX, REFRESH, UPPER BODY, LOWER BODY, BOSS NURSING, QUEEN SLIMMING, SOUL SPA. Press OK to enter the program you desire. Selected program will show on the home screen. (Check below Menu photo for reference)



**Recover:** This is designed for muscles after sports activities and exercise. It can ease and relax muscles after intense exercise, especially promote the body circulation system to improve the muscle recovery after exercise.

**Extend:** Inspired by Thai style massage, featured in extension and stretching, this program uses strong kneading and stretching technique to relax tired muscles and keep them flexible.



# NAME AND FUNCTION OF EACH COMPONENTS

**Relax:** To improve the quality of lunch break and sleep; The mild massage kneads body parts from heavy strength to light one, from light to no strength to relieve tired body gradually.

**Refresh:** This is an exclusive program for white collars, who work long time at desk and often make business trip, it can ease muscles and recuperate body.

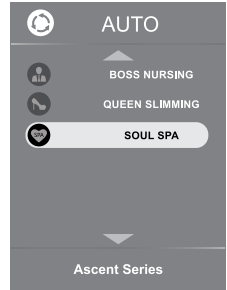
**Upper Body:** Designed to help to ease the pain and stiffness in neck and shoulders, combined with curvature design of the backrest, this program targets the rollers at the deep tissue of neck and shoulders.

**Lower Body:** Focusing the massage on the lumbar vertebra, this program helps to soothe the tension and keep the vitality of muscles.

**Boss Nursing:** Delivers an intense massage focusing on relieving sore and tension in the neck and shoulders, bringing utmost relief and comfort for users who spend long hours at desk.

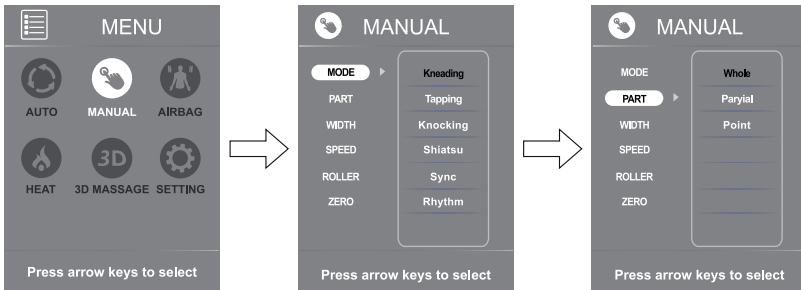
**Queen Slimming:** Adopts mild massage techniques to relax muscles in the back and waist, helping to shape body figure and promote metabolism.

**Soul Spa:** Designed for morning or midday relaxing, it helps to boost the viability of muscles.



## Manual Programs

- ▶ Press MANUAL from MENU display, press UP or DOWN button to navigate among: MODE, PART, WIDTH, SPEED, ROLLER, ZERO .



**Message Mode:** Press MODE from MANUAL display, press RIGHT button then press UP or DOWN button to navigate among: Kneading, Tapping, Knocking, Shiatsu, Sync and Rhythm message techniques. Press OK button to enter the setting you desire. Selected mode will show on the home screen.

**Back Mechanism Massage Part:** Press PART from MANUAL display, press RIGHT button then press UP or DOWN button to navigate among: Whole, Partial and Point message zones. Press OK button to enter the setting you desire. Selected setting will show on the home screen.



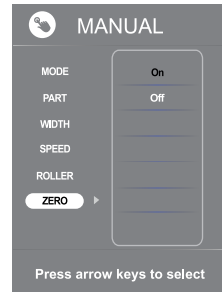
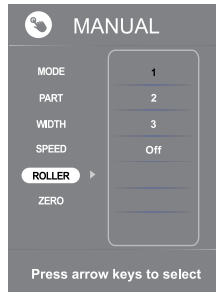
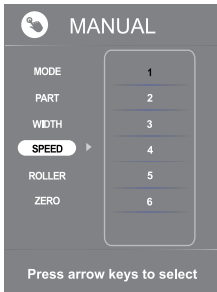
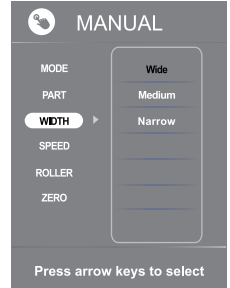
# NAME AND FUNCTION OF EACH COMPONENTS

**Back Mechanism Massage Width:** Press WIDTH from MANUAL display, press RIGHT button then press UP or DOWN button to navigate among: Width, Medium and Narrow mechanism roller width. Press OK button to enter the setting you desire. Selected width will show on the home screen.

**Mechanism Massage Speed:** Press Speed from MANUAL display, press RIGHT button then press UP or DOWN button to navigate among: level 1, 2, 3, 4, 5, 6 Mechanism massage intensity. Press OK button to enter the intensity level you desire.

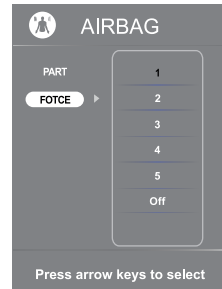
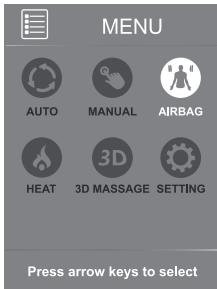
**Roller:** Press ROLLER from MANUAL display, press RIGHT button then press UP or DOWN button to navigate among: foot roller speed level 1, 2, 3, or OFF (deactivate foot roller mechanism). Press OK button to enter the speed level you desire.

**Zero Gravity:** Press Zero Gravity from MANUAL display, press RIGHT button then press UP or DOWN button to activate or deactivate Zero Gravity. Press OK button to enter the setting you desire.



## Airbag

- ▶ Press AIRBAG from MENU display to show the AIRBAG display, press RIGHT button then press UP or DOWN button to navigate between: PART-Air pressure region and Force-Air pressureensity, Press OK button to enter the setting you desire.





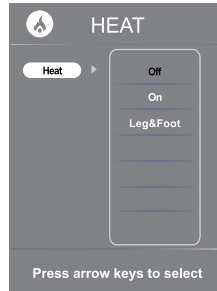
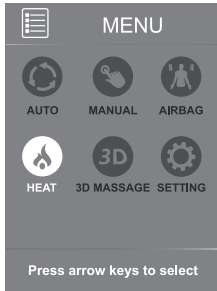
# NAME AND FUNCTION OF EACH COMPONENTS

**Part-Air pressure region:** Press PART from AIRBAG display,press RIGHT button then press UP or DOWN button to navigate among: Full, Arm&Shoulder, Leg&Foot, Buttock airbag positions. Press OK button to enter the airbag position you desire.

**Force-Air pressure intensity:**Press FORCE from AIRBAG display,press RIGHT button then press UP or DOWN button to navigate among: level 1, 2, 3, 4, 5 airbag intensity, or OFF (deactivate airbag intensity function),Press OK button to enter the airbag setting you desire.

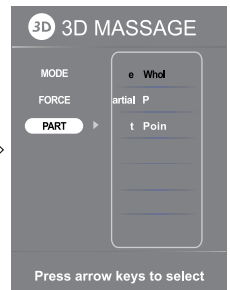
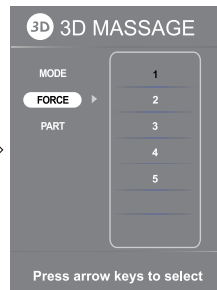
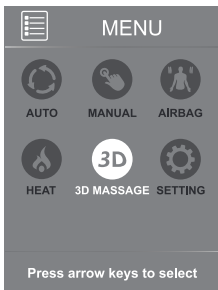
## Heat

- ▶ Press Heat from MENU display,then press Up Or Down button to turn on or off back heat function.



## 3D Massage

- ▶ Press 3D Massage from MANUAL display,press OK button to enter 3D Massage display,then press UP or DOWN button to navigate among: Mode-3 pre-set 3D Massage programs (deep shiatsu, healthy breath and massage extend), FORCE-3D protruding intensity and PART-3D massage part. Press OK button to enter the setting you desire.

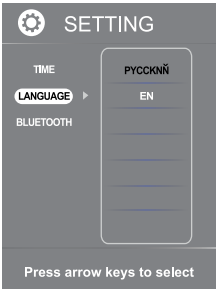
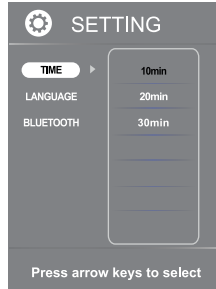
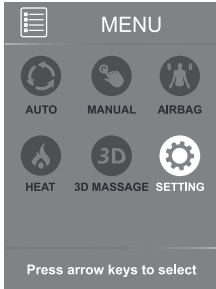




# NAME AND FUNCTION OF EACH COMPONENTS

## Settings

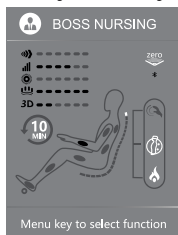
- ▶ Press SETTING from MANUAL display,press OK button to enter SETTING display. Then press UP or DOWN button to navigate among: TIME, LANGUAGE, BLUETOOTH. Press OK button to enter the setting you desire.



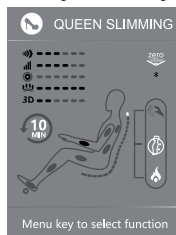
## Notes

1. Upon making any selections within the Automatic or Manual Mode menus,after 10 seconds of inactivity, the display screen will return to the home page.
2. With the exception of the“Lower Auto”option, each automatic program will begin with the movement of massage nodes along the backrest,in order to pinpoint the user’s shoulder position.

Homescreen Display  
With The Manual  
Program Running



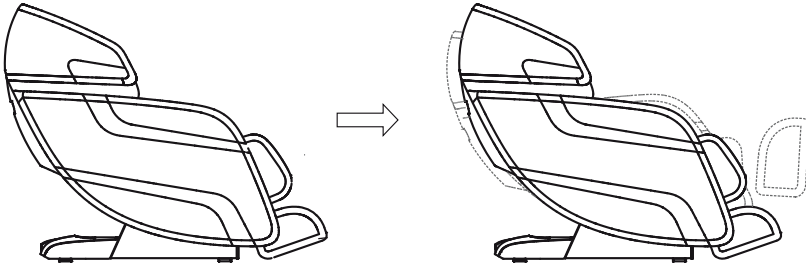
Homescreen Display  
With The Auto  
Program Running





## 1. Reclining While Sliding Forward

Co-movement space saving design of seat and backrest provides ultimate relaxation.



## 2. Four Heads Massage Mechanism

Innovative four heads massage mechanism and L-shaped guiding track conform to ergonomic principle.

## 3. Auto Extendable Legrest

Legrest can extend by maximum 26cm automatically, fulfilling the need of diversified statures.

## 4. Air Pressure Massage

Air pressure massage for arms, calves and feet.

## 5. Roller Massage

3-Roller under the feet provide full coverage kneading massage for the arch and sole of foot.

## 6. Multiple Human Hands Massage Techniques

Kneading, Tapping, Knocking, Shiatsu, Sync, Rhythm, 6 choreographed human hands massage techniques provide enjoyable massage service.

## 7. Simple And Easy-to-use Remote Control

Simple and Easy-to use remote control, android system serves simple and easy to understand access to all functions.

## 8. Unique L-style Super Long Massage Guide Track

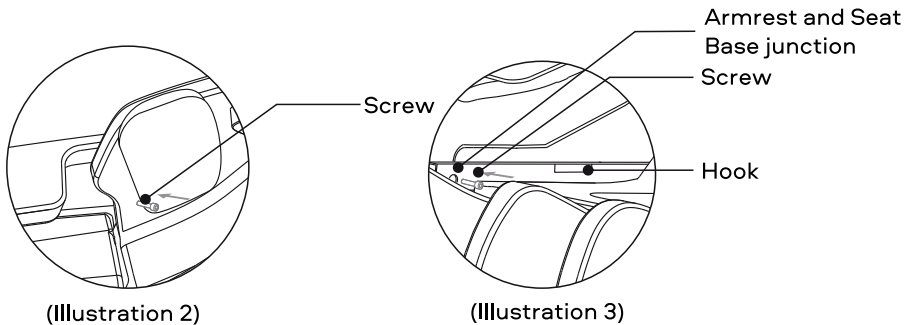
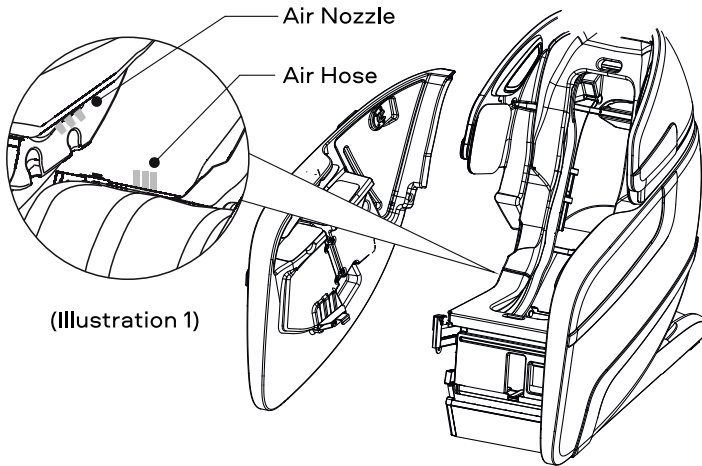
## Installation Method

### Step 1: Take All Massage Chair Units Out of The Cartons

- ▶ Unpack the cartons:take out all upholstery unit,accessories out of the cartons.
- ▶ Before beginning installation,please verify that all components are included (check with the packing list carefully)

### Step 2: Install Armrest Unit

- ▶ Connect the Air Hose of the Seat Base unit with the Air Nozzle of the Armrest Unit; (Illustration 1)



- ▶ Firstly hook the armrest onto the Chair Base,secondly fix the screw into the screw hole at the rear end of the armrest (Illustration 2), then fix the screw at the front part of the armrest (Illustration 3). (Same installation method with the other side)

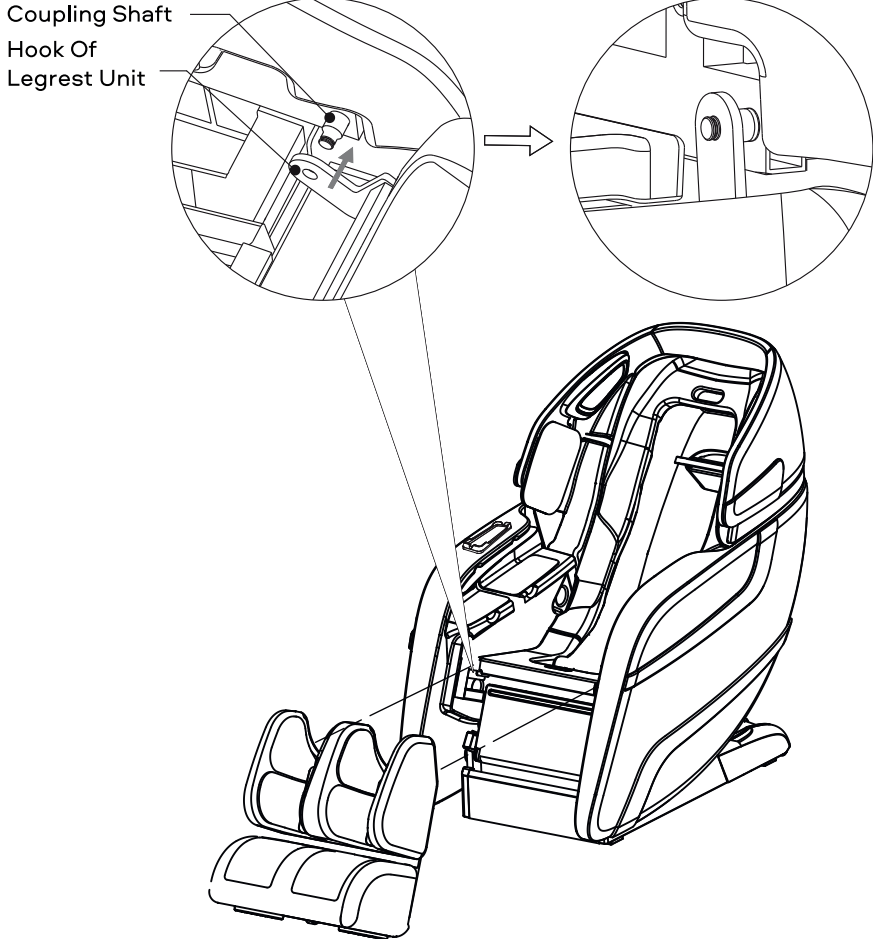




## PRELIMINARY CHECKS

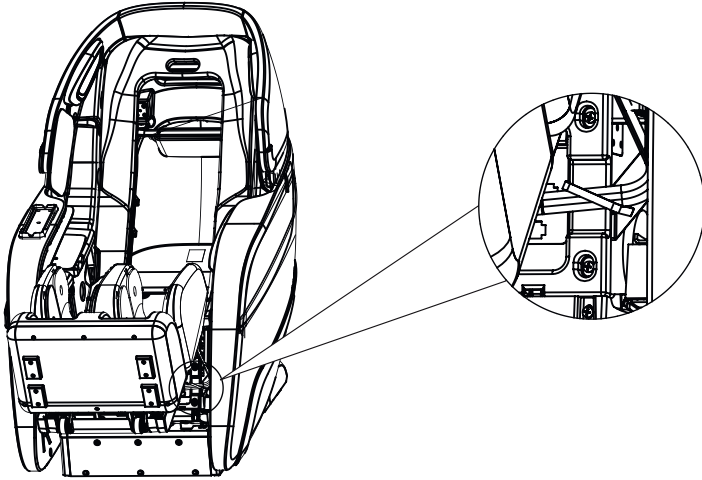
### Step 3: Install The Legrest Unit

- ▶ Lift the Legrest Massage Unit, fit the Hook of the Legrest unit into the Coupling Shaft located at the Seat base (Keep the hook leveled with the coupling shaft), connect one side first then the other.



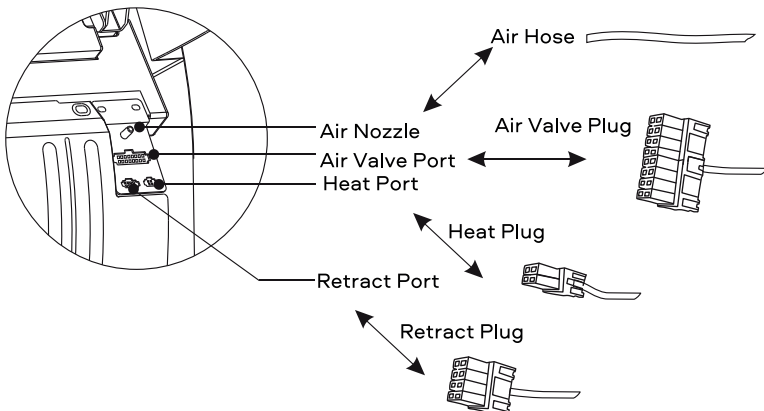
## PRELIMINARY CHECKS

- ▶ Organize the Air Hoses with cable ties, make sure they are not too tight in case the Air Hoses are squashed.



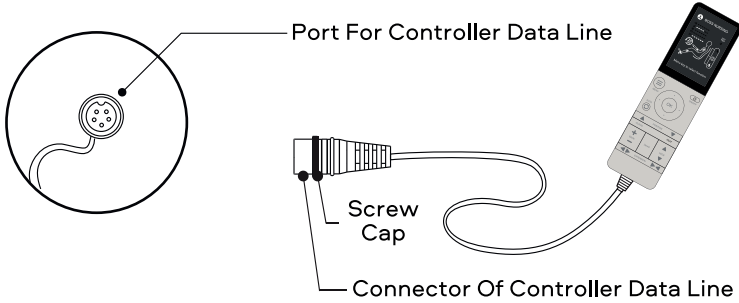
### Step 4: Install the Legrest Unit Accessories

- ▶ Lift the Legrest Massage Unit, thread the Air Hose into the Air Nozzle, fit the Air Valve Plug into the Air Valve Port and the Retract Plug into the Retract Port, make sure they are well secured.



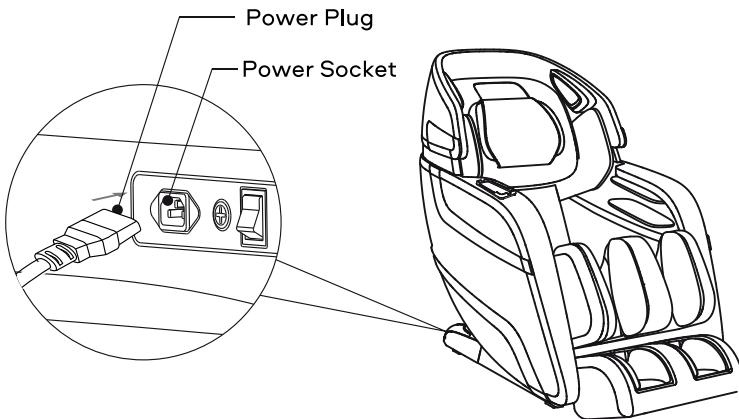
## Step 5: Install The Controller Unit

- ▶ Take the controller unit out of the accessories box; Connect the data line of the controller to the port to the lower inner side of the right armrest (pay attention to the convex and concave of the connector and port), then tighten the screw cap clockwise. (Check the illustration below for reference)



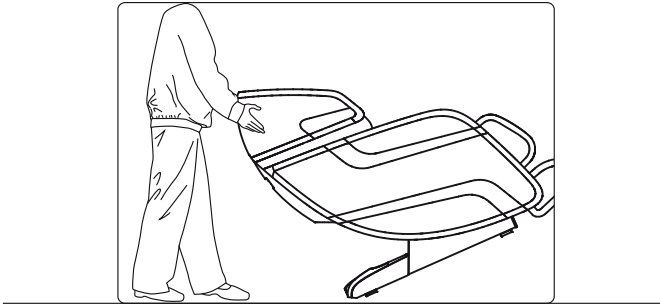
## Step 6: Other Accessories

- ▶ Connect the power cable to the product power socket located at the back power box. (Check below illustration for reference)
- ▶ Switch ON the power by the lower outer side of the right armrest, raise the backrest of the product to fully upright position.



### Move Method

- ▶ Roll the chair on its casters to the desired location.
- ▶ Incline the backrest to upright position.
- ▶ Turn off the power switch and unplug the appliance from the electrical outlet.
- ▶ Using two people, push down on the backrest and lift up on the front side by grabbing the moving holder located to the front bottom of the armrest, roll the chair on its casters to the desired location (check the sketch for reference) region and Force-Air pressure intensity, Press OK button to enter the setting you desire.

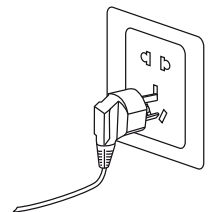


### ⚠ CAUTION

- ▶ Do not move the chair when there is user inside.
- ▶ To carry this product, do not lift by the footrest or armrest, hold the chassis and steady the backrest (have 4 or more people to carry the product).

### Connect To Power

- ▶ Connect this appliance to a 3-wire properly grounded outlet.
- ▶ Turn on the main power switch located to the lower back of the right armrest.



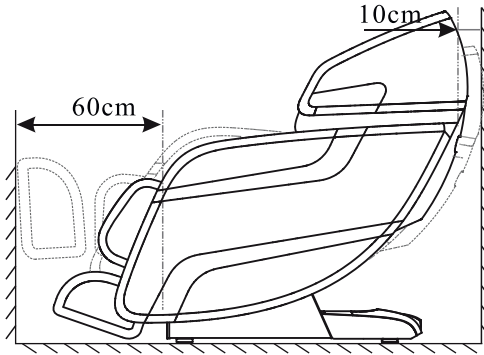
### ⚠ CAUTION

- ▶ Please verify that there is no damage to the supply cord before plug in.
- ▶ Please verify that the main power switch is turned off before connecting to power.

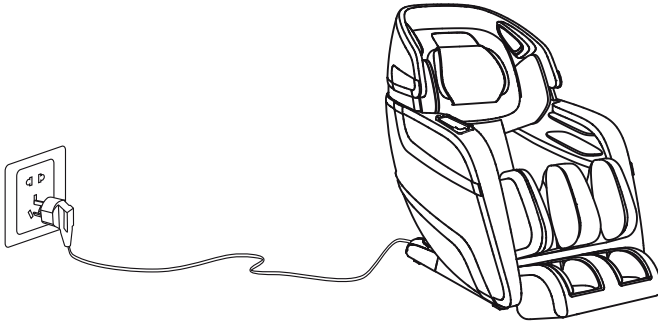
## Installation Site

### Clearance Space for the massage chair:

- ▶ Make sure there is an adequate clearance for the massage chair installation. Please allocate a minimum 10 centimeter distance clearance for the back of the product.
- ▶ Please allocate a minimum 60 centimeter distance clearance for the front of the product.
- ▶ Keep it 1 meter away from the TV,radio or other audio&video appliance to avoid signal interference.



- ▶ Keep the distance between the power socket and power switch within 1.5 meter.



### **⚠ CAUTION**

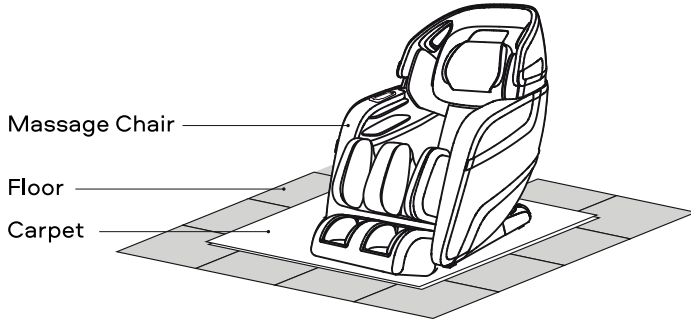
- ▶ Keep the distance between the power socket and power switch within 1.5 meter to avoid damage of power cord while massage chair sliding forward.
- ▶ Straighten the power cord while in use to avoid tangle or damage.
- ▶ When the massage chair sliding forwards or back ,Please check to make sure there is no children,pets or other obstacles around to avoid accident.



## PRELIMINARY CHECKS

### Floor Protection

- ▶ We recommend to place a piece of carpet or soft mat underneath it to avoid damaging the floor.



### Best Circumstances



Do not use the massage chair in high moisture environment such as near swimming pool or bathroom to prevent electric shock accident.reference)



Please keep the massage chair away from heated surfaces to prevent fire hazard or damage to the product.

#### **WARNING**

- ▶ Do not use the massage chair in high moisture environment such as near swimming pool or bathroom to prevent electric shock accident.
- ▶ Please keep the massage chair away from heated surfaces to prevent fire hazard or damage to the product.

### Grounding Instructions

- ▶ This product must be grounded. If it should malfunction or breakdown, grounding provides a path of least resistance for electric current to reduce the risk of electric shock. This product is equipped with a cord having an equipment-grounding conductor and a grounding plug. The plug must be plugged into an appropriate outlet that is properly installed and grounded in accordance with all local codes and ordinances.



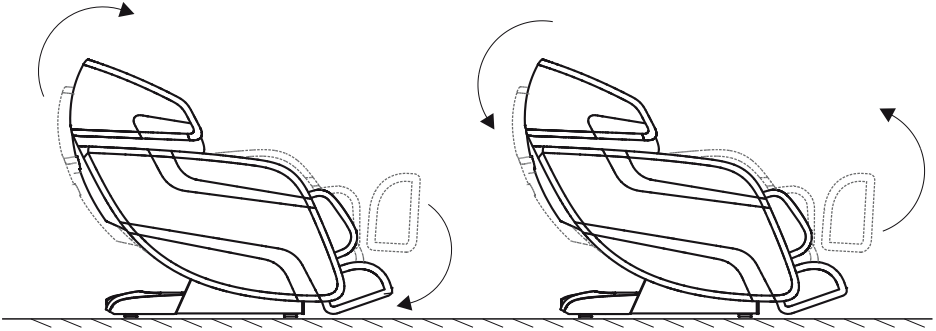
Do not use the massage chair in high moisture environment such as near swimming pool or bathroom to prevent electric shock accident.reference)



## PRELIMINARY CHECKS

### Commissioning

- ▶ Use the remote control to recline the backrest to its lowest position, raise and extend the footrest to its top position, make sure there is enough clearance before commissioning.
- ▶ Return the backrest and footrest back to its default position after commissioning and turn off the power switch. To choose the massage program, please check the Instructions of Remote Control and Instructions of Display Screen for reference.



### DANGER

- ▶ Improper connection of the equipment grounding conductor can result in a risk of electric shock. Check with a qualified electrician or serviceman if you are in doubt as to whether the product is properly grounded. Do not modify the plug provided with the product – if it will not fit the outlet, have a proper outlet installed by a qualified electrician.

### EARTHING

- ▶ This massage chair belongs to Level One electrical appliance, make sure to use three-core power supply socket and to guarantee the ground wire connected to the power supply socket has obtained good ground connection to avoid electric leakage, electric shock and some other negative effect during use.

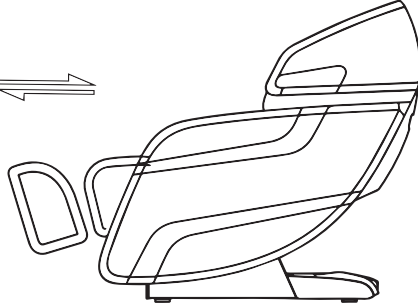
### Legrest Extend and Retract

- ▶ Press and hold on the «  » or «  » Button to extend or retract the footrest to the desired position, release to stop.

Footrest Extend



Footrest Retract



- ▶ Footrest Extend / Footrest Retract button can extend the footrest automatically until they are in right position.

### WARNING

- ▶ Do not play on the chair or perform wrong operations.
- ▶ Always confirm that there are no obstacles behind the product and that there is sufficient space to recline the chair or lift the footrest.
- ▶ Never insert leg, foot or any other objects into the openings while footrest is extending or retracting.
- ▶ Do not get off the chair while it is still resetting, wait till resetting completed.

### Audio Function

- ▶ Activate Bluetooth function via controller, search "RT5862" on your mobile device and pair it.

### After Use

- ▶ Always unplug the massage chair from the electrical outlet immediately after use.
- ▶ Put the Controller into the Controller Pocket.
- ▶ Turn off the power switch and unplug the massage chair from the electrical outlet while not in use to avoid children start the massage chair accidentally.
- ▶ When not in use for a long period of time, we recommend that the chair be covered, the power cord be coiled and that the unit be placed in an environment free of dust and moisture.





## APP DOWNLOAD AND INSTALLATION

---

Download app and control the chair from an Android or iOS device, below is the instructions:

### **For an iOS device:**

Open the App Store on your iOS device (iPhone, iPad, or iPod touch), use keyword “RT5862” to search, download it to your device and have it set up. While setup completed, open it and switch the Bluetooth to “ON”, pair it with the massage chair.

(Note: Version of iOS device need to be above 4.0 and with Bluetooth function)

### **For an Android device:**

Supplier will email the app to customer, download it to your device and have it set up. While setup completed, open it and switch the Bluetooth to “ON”, pair it with the massage chair.

(Note: Version of Android device need to be with Bluetooth function)

#### **CAUTION**

- ▶ The massage chair power and the Bluetooth need to set to on while pairing.
- ▶ If the pairing failed, try to connect again.



### Care and Maintenance Instructions

- ▶ To treat stains on back panel, armrest, footrest, plastic parts or air hose, spot clean with mild detergent foam, then wipe it with a dry cleaning cloth.
- ▶ To treat stains on remote control, power box, spot clean with a dry cleaning cloth.
- ▶ To treat stains on back cushion or pillows, use a water-based upholstery cleaner only, wipe it with moist cloth, then air dry.
- ▶ To clean the foot/calf unit covers, remove it from the chair, hand wash with a mild detergent, then line dry.

#### CAUTION

- ▶ Pull out the power cord from the power strips before care and maintenance. To avoid electrical shock or injury, do not touch the power cord with wet hands. Make sure no detergent enters into the power box while cleaning.
- ▶ Do not use benzene, thinner or other solvents on your product, it may cause fading or damage to the product.
- ▶ Do not iron the upholstery.

### Storage Methods

- ▶ Keep the product free from dust. Cover the product with a dust-free cloth to prevent collection of dust if not in use of a long period of time.

#### CAUTION

- ▶ Do not leave this product exposed to direct sunlight for long periods of time. This may cause fading or damage.

### Warm Tips

During daily use, please check for the following symptoms:

- ▶ Burnt smell.
- ▶ The product experiences unusual power ON/OFF when touching the power cord.
- ▶ Hot power cord.
- ▶ Other abnormal symptoms.

#### CAUTION

- ▶ Please stop using the product to avoid breakdowns or accidents if any above symptom spotted.
- ▶ Switch off the power button and disconnect the plug, contact the local distributors or supplier for repair.
- ▶ All other servicing except above care and maintenance should be serviced by an authorized dealer or service center.

#### WARNING

Pull out the power cord from the power strips before care and maintenance. To avoid electrical shock or injury, do not handle the power cord with wet hands. Do not try to dismantle or repair the product yourself, please send your massage chair to the authorized service center.



## TROUBLE SHOOTING

No.	Symptoms	Possible Causes	Possible Solutions
1	Shoo or clatter sound is heard	Normal working sound of motor or massage balls rubbing against the cloth cover	No need to take any measures
2	Appliance start failure	The power cord is not secured into the socket	Secure the Power plug
		Power switch is off	Turn on the switch
		The fuse is blown	Replace only with a fuse of same type and rating
3	No music from the speaker after the bluetooth is connected	The volume is turned to the lowest	Adjust the speaker volume from the mobile devices.
4	Backrest or legrest can not raise or recline.	Excessive load pressed on the backrest or legrest	Relieve the load and try again from the mobile devices.
5	Airbag malfunction.	The air hose may be blocked the backrest or legrest	Straighten the air hose and clear out the blockage from the mobile devices.

If problem remains, please contact the dealer for maintenance.

Tips: Do not attempt to repair this product yourself, our company shall not be liable for the injury or damage caused by any servicing without authorization.



## PRODUCT SPECIFICATIONS

---

Product Name : Deluxe Multi-function Massage Chair

Model Number : RT5862

Rated Voltage : 220-240V~

Rated Frequency : 50/60Hz

Rated Power : 160W



## WARRANTY

---

The warranty is valid for 36 months from the date of purchase.

The warranty covers faults caused by the manufacturer.

The warranty does not apply in case of mechanical damage and if there are signs of repair by unauthorised persons.

Below Form Shows The Name And Content Of Hazardous Substance In This Product

Parts Name	Restricted Substances					
	Pb	Hg	Cd	Cr	PBB	PBDE
Outer Panels	○	○	○	○	○	○
Circuit Board Assembly	✘	○	○	○	○	○
Metal Work	✘	○	○	○	○	○
Rubber Piece	○	○	○	○	○	○
Power Cable/ Power Adapter	✘	○	○	○	○	○
Inner Signal Connecting Cable	○	○	○	○	○	○
Upholstery	○	○	○	○	○	○

This form is made under the regulation of SJ/T 11364

- ※ : Circuit Board Assemblies include the spare parts which make up a whole PCB, such as resistor, capacitor, integrated circuit, connectors, etc.
- : Indicates that the concentration of the hazardous substance in all homogeneous materials in the parts is below the relevant threshold of the GB/T26572 standard.
- ✘ : Indicates that the concentration of the hazardous substance of at least one of all homogeneous materials in the parts is above the relevant threshold of the GB/T26572 standard.

Notes of environment-friendly lifetime

Lifetime of this electrical and electronic products, if operated as set forth in the manual, with the hazardous substance or element not to emit, neither to pollute the environment nor to cause harm to person or property, is limited to 10 years.

