

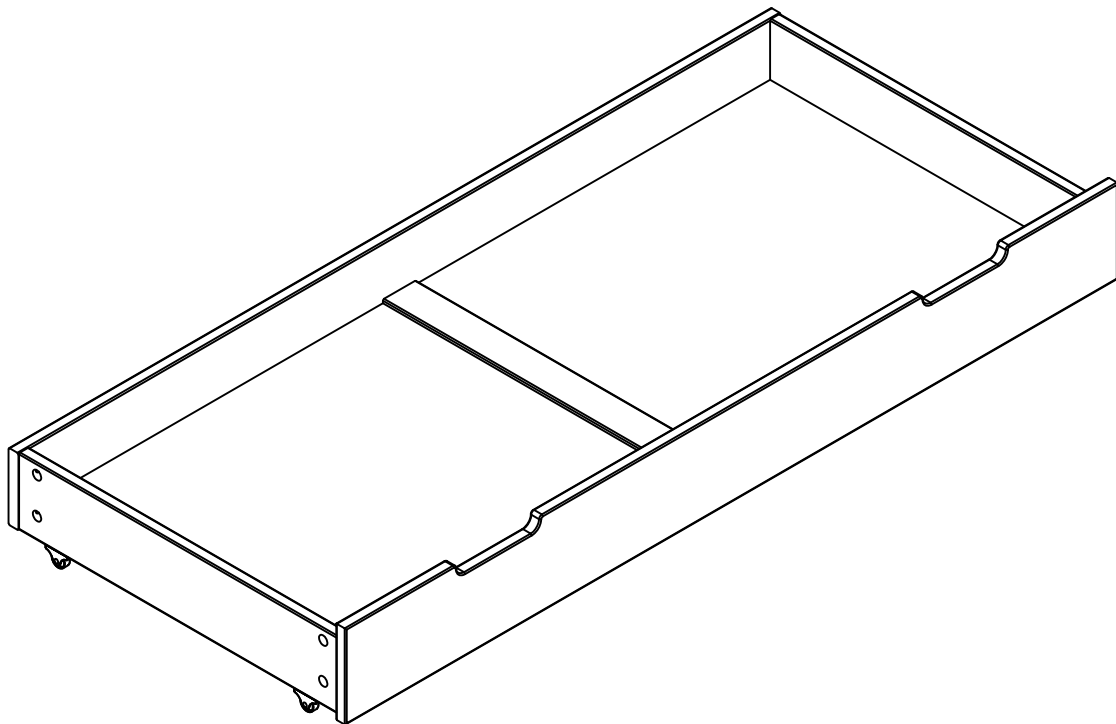


OBABY

**140 x 70cm**

**Cot Bed Under Drawer**

Instructions



**IMPORTANT  
KEEP FOR FUTURE REFERENCE**



*Thank you for choosing to be part of the Obaby family*

To ensure that your cot bed under drawer is used in accordance with these instructions, please read them fully.

Your child's safety may be affected if you do not follow these instructions.

- WARNING:** Assembly should be carried out by a competent adult only.
- WARNING:** The weight limit for this drawer is 25kg. Where possible it is advised the weight is distributed evenly in the drawer to prevent the risk of damage.

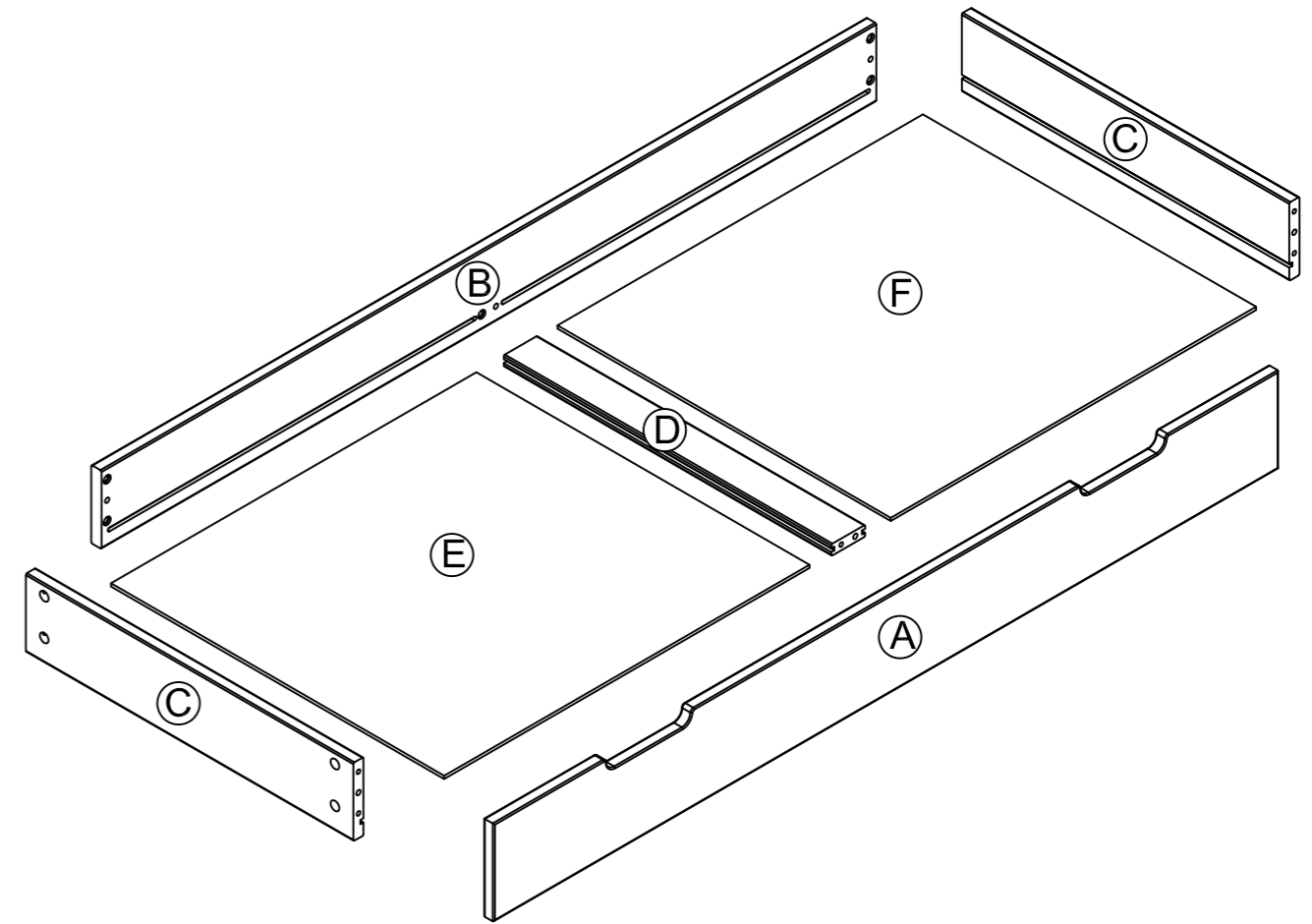
Be aware of the risk of open fire and other sources of heat, such as electric bar fires, gas fires, etc. in the near vicinity of the cot bed under drawers.

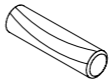
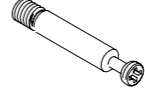
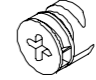


- Standing in, or using the cot bed under drawer other than for its intended purpose could cause damage to the structure or serious injury to your child
- Do not use the cot bed under drawer if any part is broken or missing. Use only spare parts approved by the manufacturer.
- All assembly fittings should be tightened properly and care should be taken to ensure that no screws are loose, as a child could trap parts of the body, or clothing (e.g. ribbings, drawstrings, necklaces) this could lead to strangulation.
- Regularly check that all fittings and components of the cot bed under drawer are fully tightened and in working order.
- During assembly children should be kept away from the product due to risk of injury.

**ROUTINE CARE & MAINTENANCE**

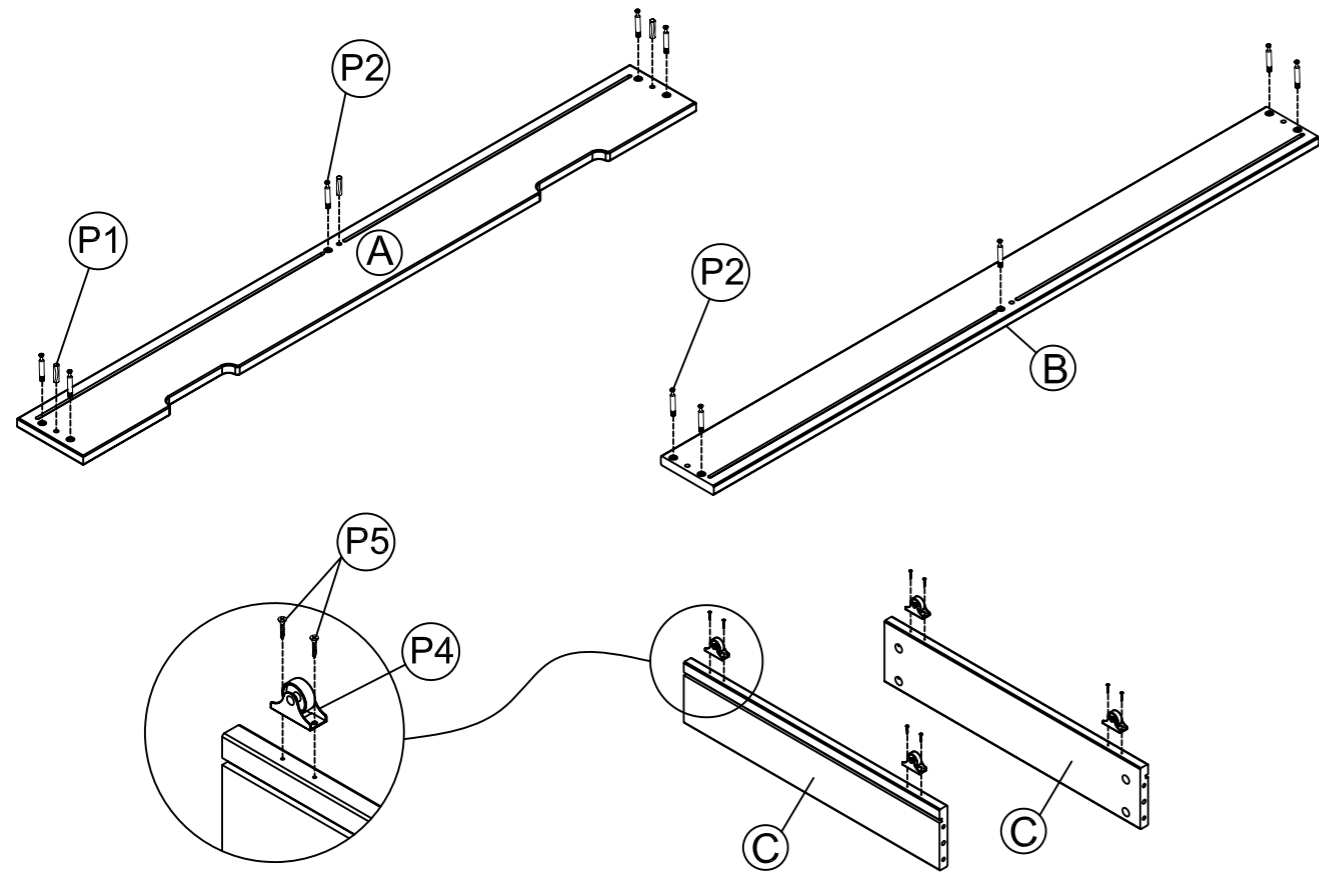
- For cleaning, use only a mild detergent and warm water.
- DO NOT USE BLEACH.
- DO NOT USE any abrasive substances
- From time to time, check your cot for loose screws, and worn parts. Replace or adjust the parts as needed.

Due to constant updating and improvements, some components may occasionally differ slightly from the images shown in these instructions. We reserve the rights to change the specifications of any products without prior notice. If you need any assistance please contact your Obaby retailer from whom you purchased your product.

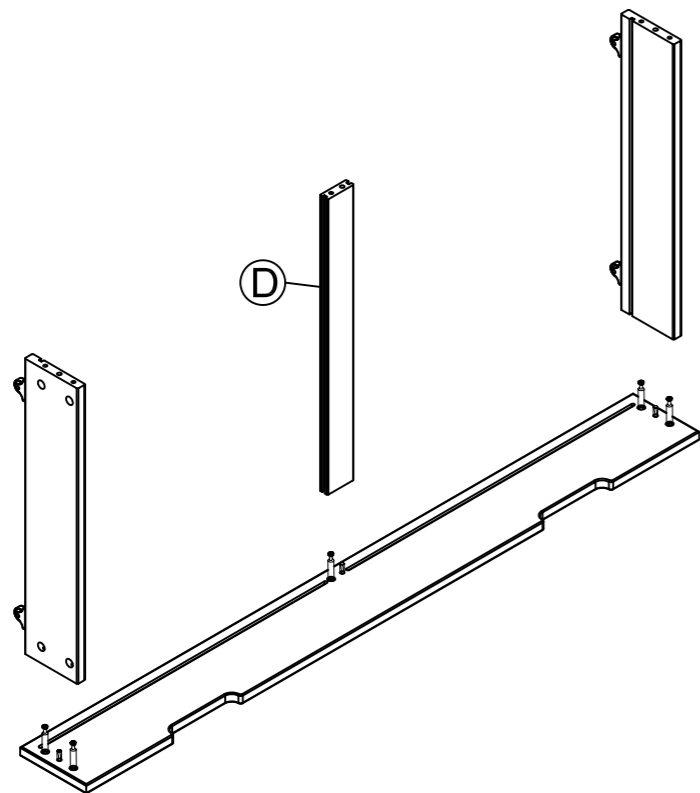


<b>P1</b>	<b>P2</b>	<b>P3</b>	<b>P4</b>	<b>P5</b>
				
<b>x6</b>	<b>x10</b>	<b>x10</b>	<b>x4</b>	16mm <b>x8</b>

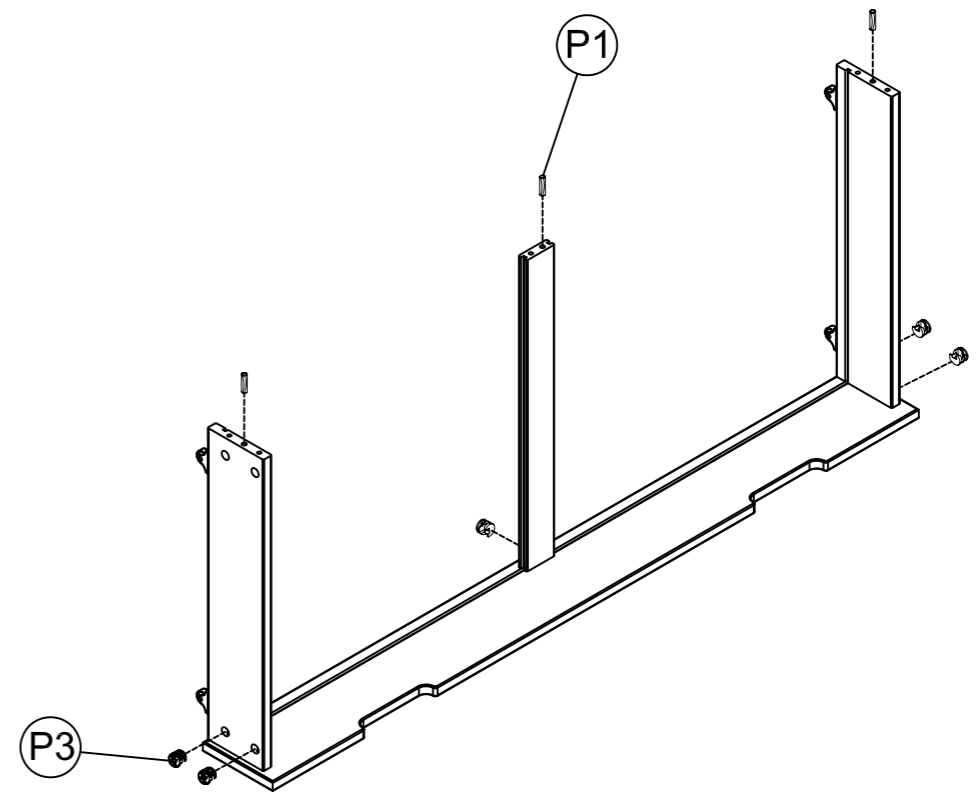
Stage 1



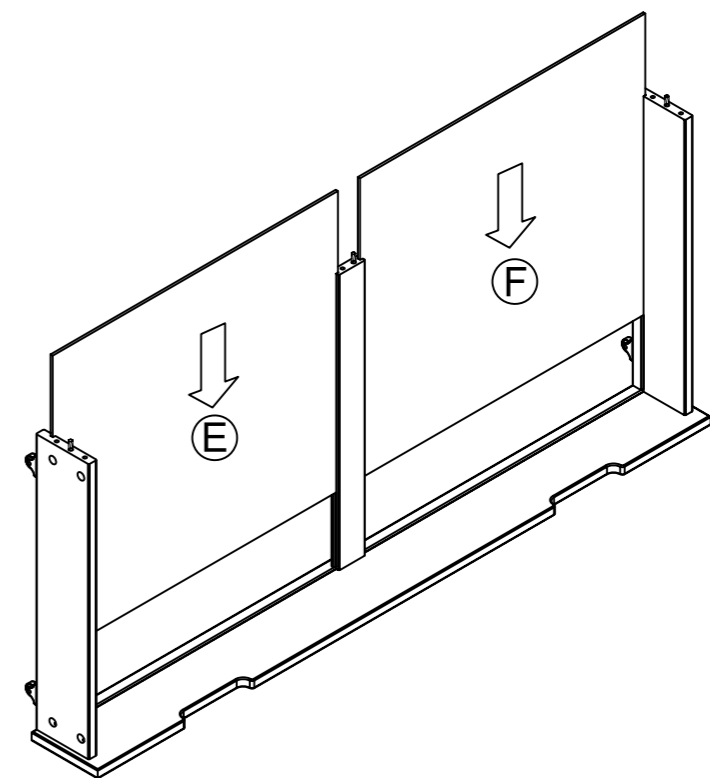
Stage 2



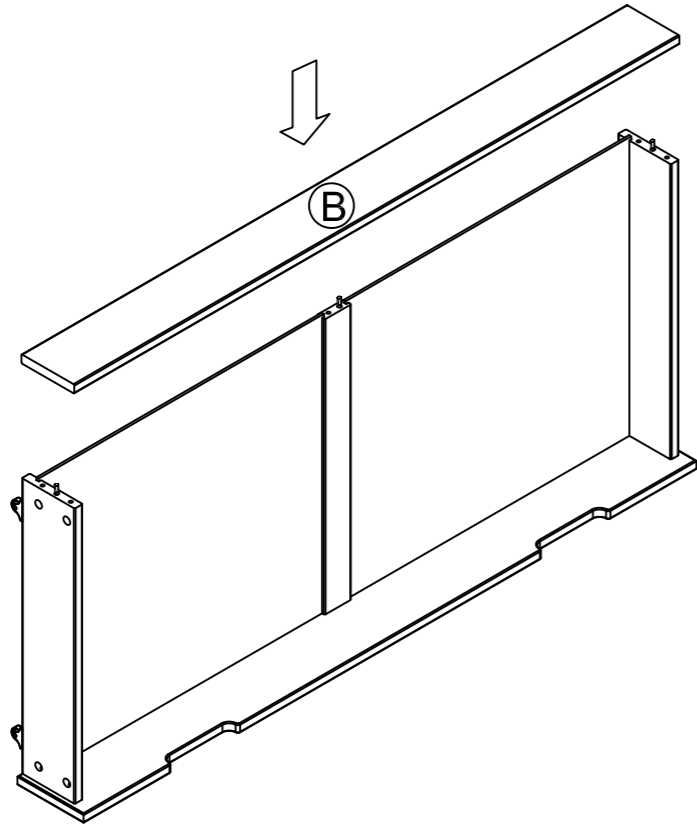
Stage 3



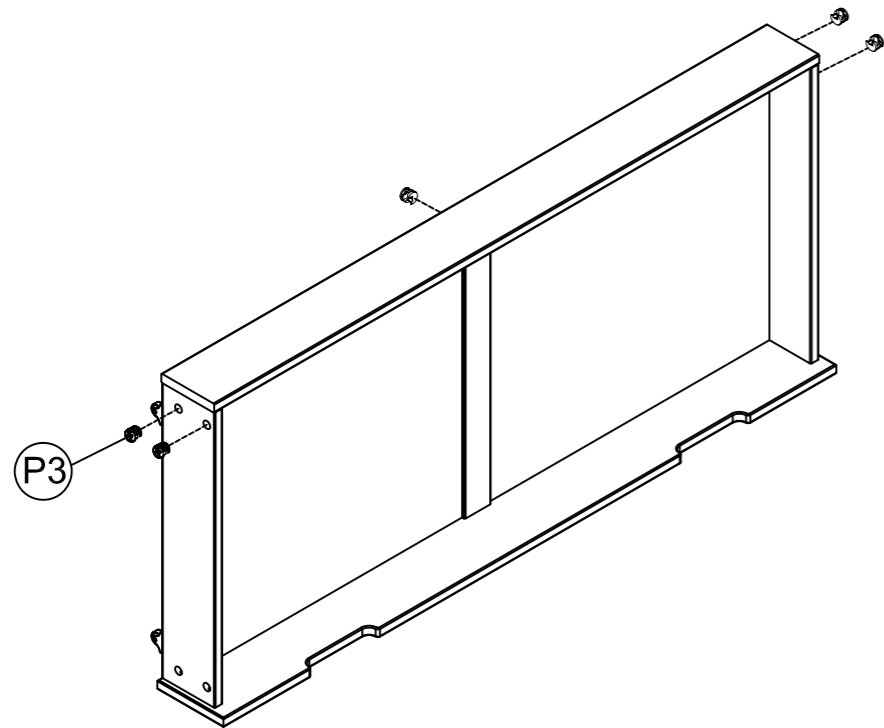
Stage 4



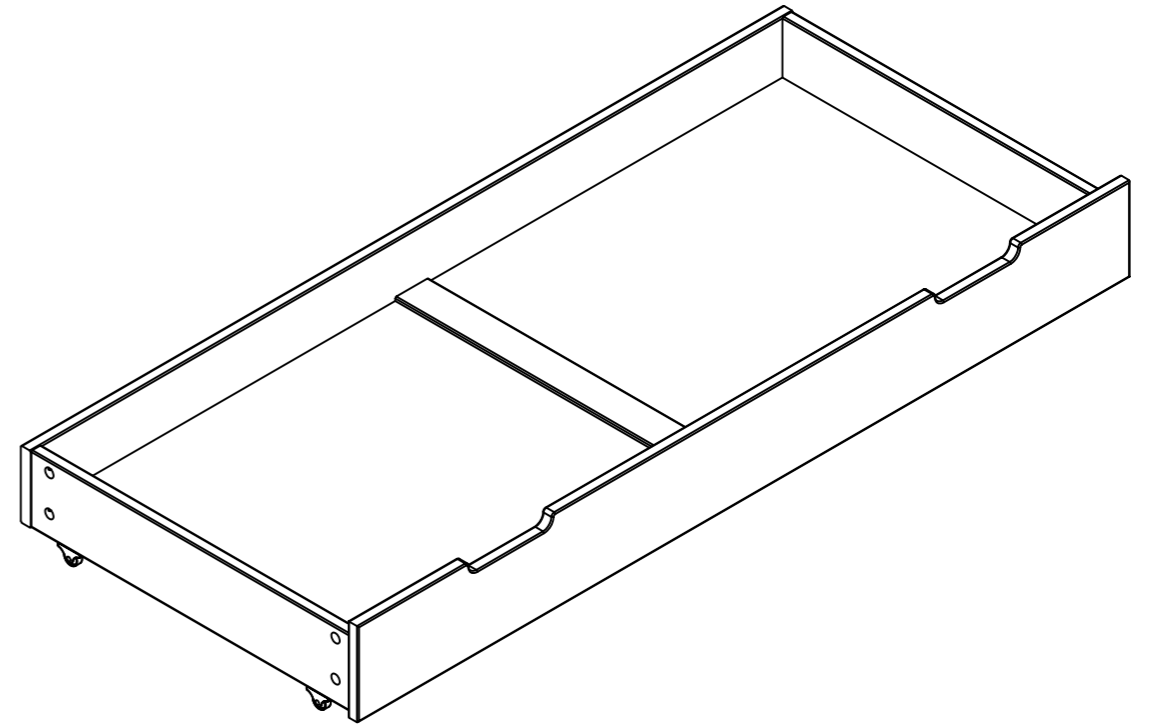
Stage 5



Stage 6



Stage 7





# OBABY

[obaby.co.uk](http://obaby.co.uk)



[OfficialObaby](https://www.facebook.com/OfficialObaby)



[obabyuk](https://www.instagram.com/obabyuk)



[obabyuk](https://www.pinterest.com/obabyuk)



[officialobaby](https://www.youtube.com/channel/UC...)