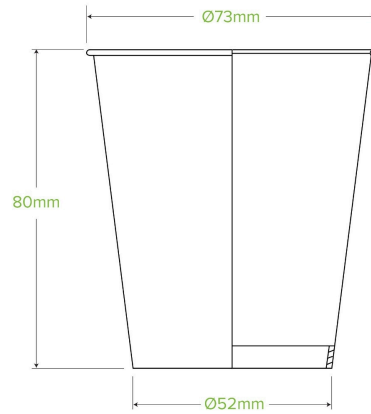


200ml / 6oz (73mm) White Cold Paper Water BioCup BCC-6-73-W



Paper cold cups are lined and coated with Ingeo™, a bioplastic made from plants. They are freezer safe and suitable for cold drinks. Certified industrially compostable to AS4736. Available in 4 different colours with compatible lids.

Carton quantity: 1000	Sleeves per carton: 20	Units per sleeve: 50
Carton Size LxWxH (cm): 37.5x30.5x37.5	Carton gross weight (kg): 6.000000	Raw Material: Paper - FSC™ Mix certified paper
Lining/coating: Bioplastic - Ingeo PLA	Window Material: None	Printing Type: Flexo
Inks: Food Contact Safe Inks	Brim fill capacity (ml): 210	Dimensions top LxW (mm): 73x73
Dimensions base LxW (mm): 52x52	Product Depth: 80	Product weight (g): 6.08
Thickness: 263gsm	Use: Hot, Cold, Wet & Dry Products	Manufactured: China
Customise: Print	MOQ custom: 50000	Mould fees: Yes - see custom packaging
Environmental production certified: ISO 14001	Quality product certified: ISO 9001	Factory food safety certified: BRC
Corporate social accreditation: SMETA	Home compostable: No	Industrially compostable: Certified to AS4736 Australian Standards, Certified to EN13432 European Standard
Recyclable: No		