

390ml / 12oz (90mm) Art Series Single Wall BioCup BC-12-ART SERIES



*image as a guide only

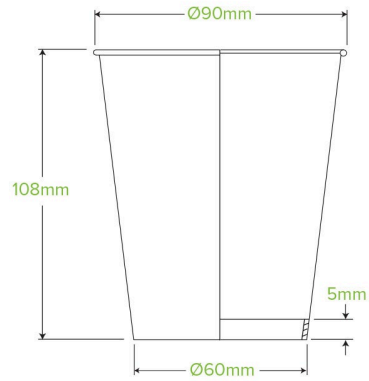


IMAGE AS A GUIDE ONLY. Cartons contain up to three different art cups with new artists featured every two months. Pictured here are designs from the latest Art Series. Unfortunately, we cannot sell individual art cups and cannot guarantee which prints or which series of prints will be in each carton.

Carton quantity: 1000	Sleeves per carton: 20	Units per sleeve: 50
Carton Size LxWxH (cm): 46.7x36.8x53	Carton gross weight (kg): 12.700000	Carton barcode: 19344062009075
Raw Material: Paper	Lining/coating: Bioplastic - Ingeo™ PLA	Window Material: None
Printing Type: Offset	Inks: Food Contact Safe Inks	Brim fill capacity (ml): 397
Dimensions top LxW (mm): 90x90	Dimensions base LxW (mm): 60x60	Product Depth: 108
Product weight (g): 11.3	Thickness: 285gsm + 35gsm PLA	Use: Hot and cold
Manufactured: Taiwan	Customise: Print	MOQ custom: 50000
Mould fees: No	Quality product certified: ISO 9001	Factory food safety certified: BRC, HACCP
Home compostable: No	Industrially compostable: Certified to AS4736 Australian Standards, Certified to EN13432 European Standard	Recyclable: No