

2 STATION MAINS KIT (LOW PRESSURE)

AT00-007

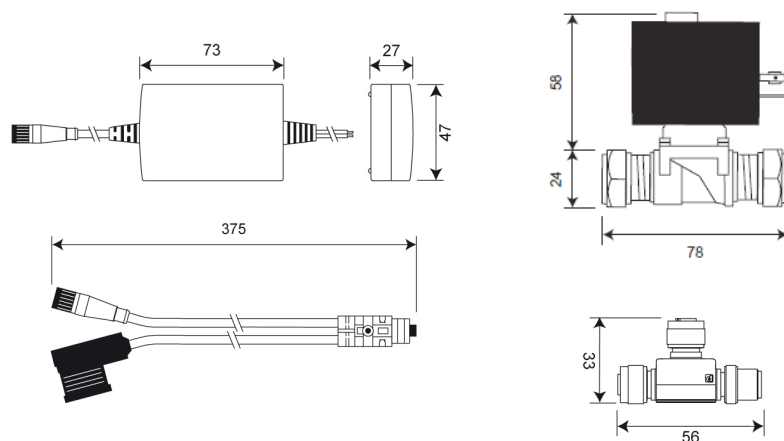
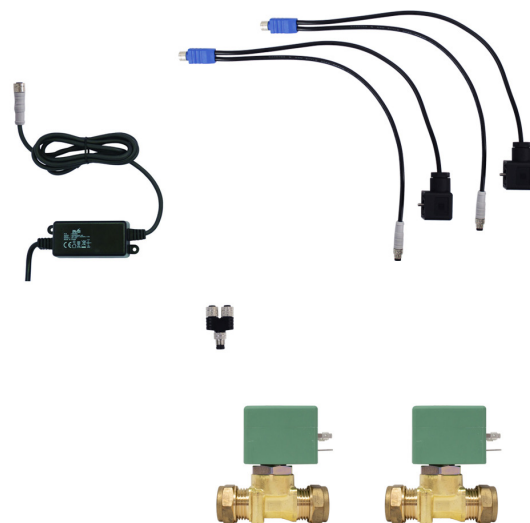
Automatic taps 2 station mains kit for standard pressure systems (0.5-1 BAR). Kit includes mains PSU, 6V DC Solenoid valves 15mm x 2, Y-splitter leads x 2 and T-connector pieces x 1.

PRODUCT NUMBER

AT00-007

TECHNICAL DATA

Gross weight	1.65kg
PSU	
PSU Cable length	1.5m (each side 3m in total)
Material	ABS
Surface finish	Matt black
Overall dimensions	73mm (l) 47mm (w) x 27mm (d)
Type of mounting	Pre-drilled fixing holes
Power input	100-240V / 50-60Hz 0.3A
Power output	6V / 2A
Solenoid valve	
Material	ABS / brass
O-ring / washers material	Nitrile
Fitting	½" BSP



Last updated:
2020-01-21, Dart Valley Systems