

DIAMOND DRYER PURE

POWERFUL, BEAUTIFUL, TOUGH



Installation Manual

TECHNICAL SPECIFICATIONS

Item Category		Performance Data	
Operating Voltage		AC 220~240 V, 50 Hz / AC 110~120, 60Hz	
Power	Standard mode	220~240 V	320 W (Heater off)/ 720 W (Heater on)
		110~120 V	320 W (Heater off)/ 820 W (Heater on)
	Quiet mode	220~240 V	Q mode 'ON' , 130 W(Heater off) / 530 W (Heater on)
		110~120 V	Q mode 'ON' , 130 W(Heater off) / 630 W (Heater on)
Sterilization mode		Power	10W
		Operating cycle	1 hour on, 1 hour off
		Air speed	14m/s
Standby Power		≤0.5 W	
Air Speed (sensing max)		96 m/s	
Motor Type		Brushless DC Motor, 30,000 RPM	
Sensor Type		Auto Infrared touch free operation	
Sensor Range		45° 10~20cm	
Timing Protection		50 seconds auto shut off	
Drying Time		10 ~ 12 sec	
Drip Proof		IPX3	
Isolation		CLASS I	
Unit Size		H 272mm x W 136mm x D 123mm	

IMPORTANT SAFETY INSTRUCTIONS



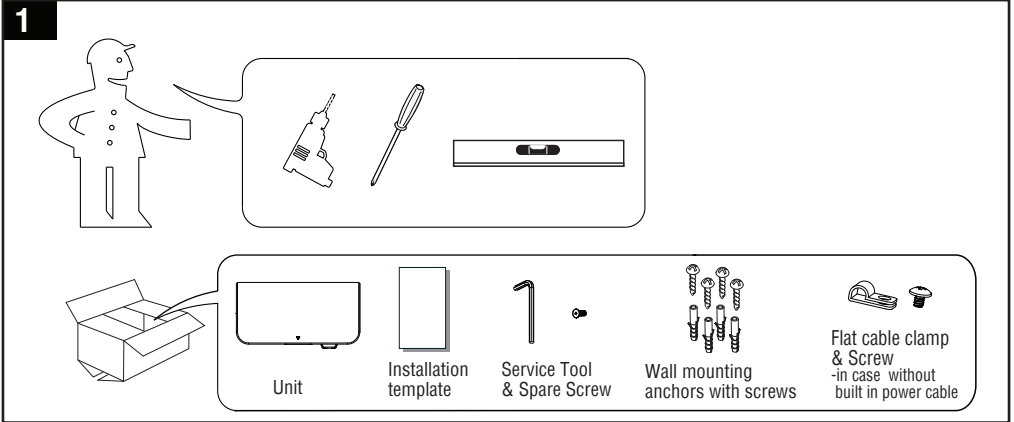
WARNING – TO REDUCE THE RISK OF FIRE, ELECTRIC SHOCK, OR INJURY TO PERSONS OBSERVE THE FOLLOWING:

- any damages caused by misuse or defective installation.
- The instructions contained within the installation Template must be followed carefully when installing this unit. Failure to accurately follow the instructions may result in the incorrect operation of this unit, damage to property and/or personal injury.
- Installation work and electrical wiring must be done by qualified person(s) in accordance with all applicable codes and standards, including fire-rated construction.
- When cutting or drilling into wall or ceiling, do not damage electrical wiring and other hidden utilities.
- This unit must be powered by a dedicated circuit branch protected by a circuit breaker with the appropriate rating. Circuit cable must be fit current consumption for this unit.
- This unit has been designed for indoor use only, protect from water, sun and extreme temperatures, do not install it outdoors or close to moisture and heat generators.
- This unit can only be revised, maintained, repaired and removed by qualified person(s). If the unit stops and works strangely, contact your regional dealer or contractor.
- This appliance can be used by children aged from 8 years and above and persons with reduced physical, sensory or mental capabilities or lack of experience and knowledge if they have been given supervision or instruction concerning use of the appliance in a safe way and understand the hazards involved. Do not allow children to play with the appliance or carry out cleaning and user maintenance on this hand dryer.
- If the supply cord is damaged, it must be replaced by the manufacturer, its service agent or similarly qualified persons in order to avoid a hazard.

UNPACKING

1. Remove all packing material. Recycling is recommended.
2. Carefully remove the hand dryer from the shipping carton, using care not to drop the appliance.
3. Inspect carefully for any damage that may have occurred during transit. Check for any loose, missing or damaged parts. If the hand dryer is damaged, promptly inform the shipper or dealer where you purchased it.

Standard items with the hand dryer are shown in Fig.1 together with tools need by the installer.



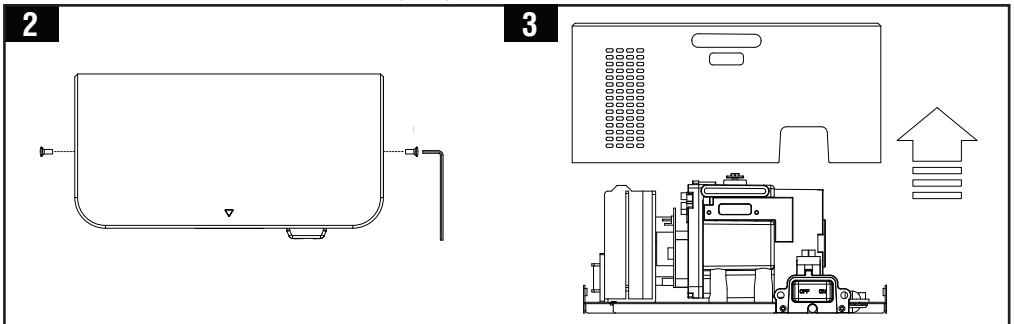
INSTALLATION

CAUTION

- Make sure power supply breaker is switched off.
- All electrical installation and repair work should be carried out by a qualified electrician or local service Engineer in accordance with current local codes or regulations.
- Check that the electrical supply corresponds to that shown on the rating plate. If the unit is connected to any electrical supply other than stated on the rating plate of the unit, permanent damage or unsafe operation of the unit may result.
- The unit must be mounted on a flat vertical wall capable of supporting the full weight of the unit.

1. Remove the Front cover

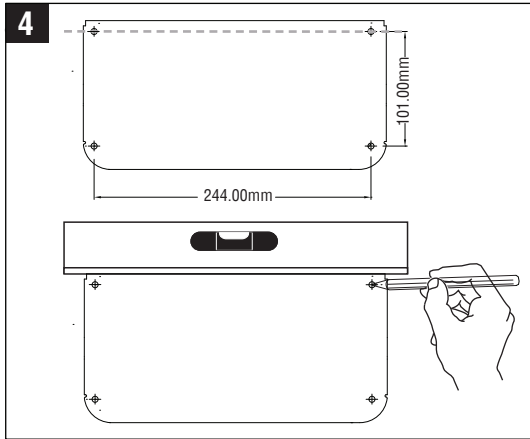
- 1.1 Place the main cover on a cloth to avoid marking its surface.
- 1.2 Remove the (2) security screws from the main body, using the service tool provided (fig 2). Store safely.
- 1.3 Lift the front cover off the main body (fig 3).



2. Positioning

CAUTION: Before installation decide if the cable entry is to be from the rear or the above. Follow the relevant instructions. Do not use the backplate as a guide when drilling.

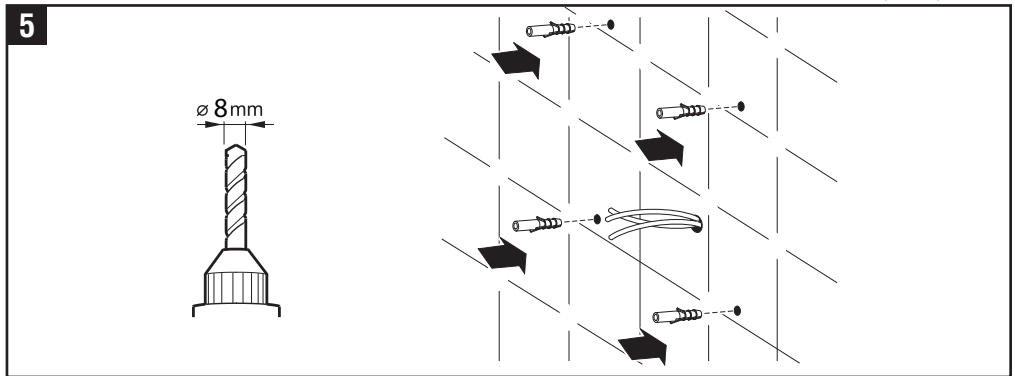
2.1 Mark the location on the wall with a pencil. Use the Installation Template to mark the locations for the four fixing points (fig. 4).



Recommended height measurements form the floor to top screws

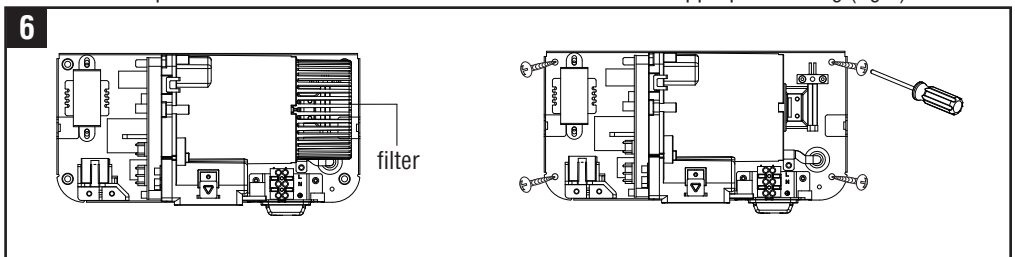
Installation target	Height
Adult male	1300mm
Adult female	1265mm
Children 5-8 years old	928mm
Children 8-11 years old	1028mm
Children 11-14 years old	1108mm
Wheelchair user	1050mm

2.2 Pre-drill the wall in the marked locations using 5/16" (8mm) drill, insert the plastic anchors and tap flush to the wall. If the cable entry is to be done from the wall provide a proper cable exit (fig. 5)



2.3 Remove the filter kit (shown as Filter replacing step on page 7&8).

2.4 Fix the backplate to the wall. Screw to the wall and secure with the appropriate fitting (fig 6).



2.5 Replace the filter kit (shown as Filter replacing step on page)

3. Installing Power cable & Connection terminal block

WARNING: ENSURE POWER NOT CONNECTED

3.1 Pull the cable through the the grommet. Ensure the cable is long enough to route correctly through the backplate to the terminal block (fig 6).

3.2 The cable must sit in the dedicated channel.

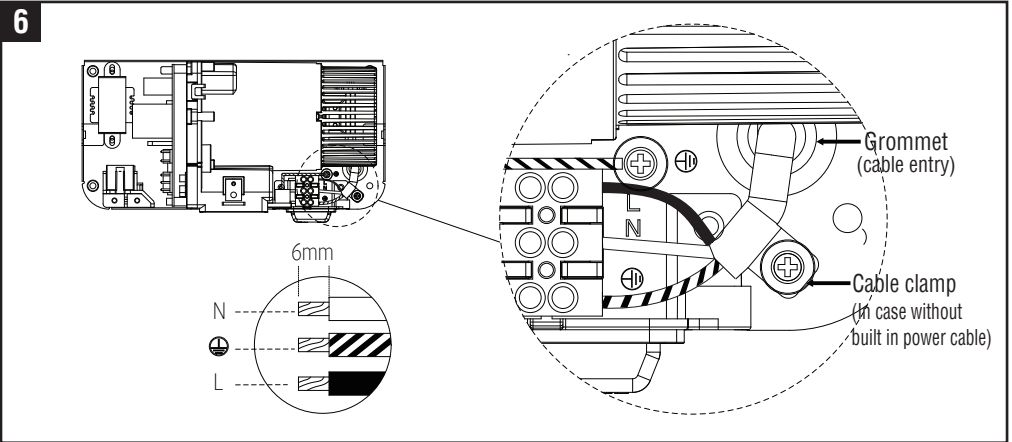
3.3 As shown, connect cable to terminal block and screw in terminal block.

3.4 Fix the cable clamp with screw in the backplate (fig 6A).

(In case without built in power cable)

CAUTION: Connect the ground wire to the terminal block marked “⊕”

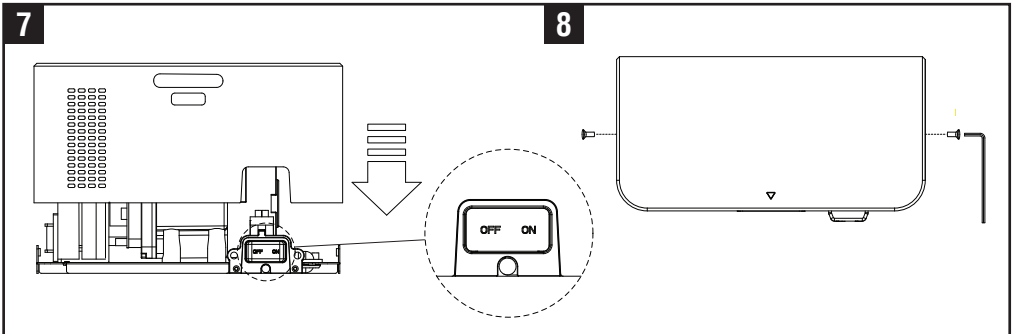
Do not over-tighten and crush the power cable.



4. ATTACHING MIAN BODY

4.1 Place the main cover of the backplate (fig. 7).

4.2 Insert and tighten the (2) security screws into the side of the main body with the service tool (fig. 8)



4.2 Give power to the electrical system.

4.3 Check the power switch on (factory default setting “ON”).

4.4 Test the unit for correct operation. The LED light on the cover should flash 5 times with a red light after the power supply has been correctly connected and followed by continuous light white LED.

Note: Ensure the LED light on the front of the unit is OFF before opening the front cover, if the LED light is still ON, wait until the light goes off.

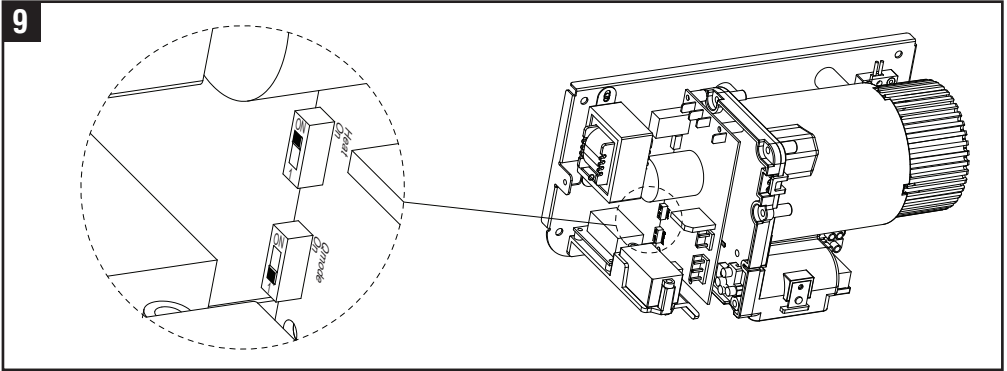


The unit has a built in UV-C lamp, avoid exposure to direct germicidal UV rays. Do not open the front cover before power off.

HEATER SWITCH & QUIET (Q) MODE SWITCH

Heater Switch ON/OFF & Quiet Mode Switch (Factory default setting Heater “ON” / Quiet “OFF”)

1. Turn power switch “OFF”.
2. Remove the two security screw on the front cover, using the service tool (fig. 2).
3. Lift the front cover off the unit (fig. 3).
4. To turn off or turn on heater, use the left switch shown in fig. 9.
5. To change Quiet mode, use the right switch shown in fig. 9.



ATTACHING UNIT

Reposition the front cover on the unit.

Insert and tighten two security screws into the front cover (fig. 8A).

Turn power switch “ON”

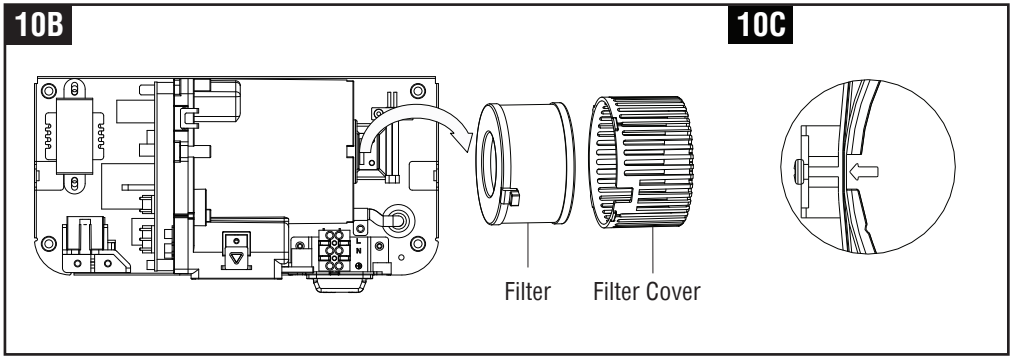
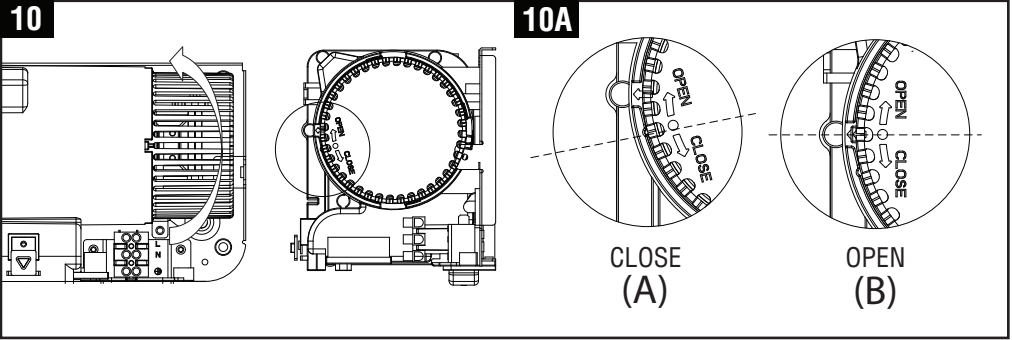
Test the unit for correct operation. The LED light on the cover should flash times with a red light after the power supply has been correctly connected and followed by continuous light white LED.

Note: If the LED light remains off, the unit must be refitted correctly.

FILTER REPLACING

If the LED light on the front of the unit flashes red then the filter if fitted needs to be changed. The filter functions for approximately 60,000 operations.

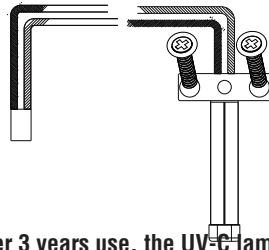
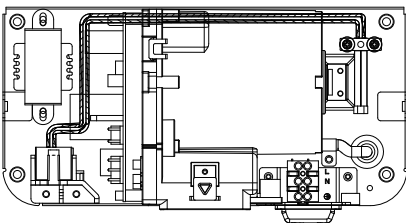
1. Turn power switch “OFF”.
2. Remove the two security screw on the front cover, using the service tool (fig. 2).
3. Lift the front cover off the unit (fig. 3).
4. Turn the filter cover to open direction (fig. 10). The dot is aligned with the arrow present on the motor cover (fig. 10A-B).
5. Remove the filter(fig. 10B).
6. Insert the New filter. The dot on the filter cover is aligned with the arrow on the motor cover (fig.10C).
7. Turn the filter cover to close direction. The dot is positioned to the right of the arrow on the motor cover (fig.10A-A).



! **WARNING** - If the dryer has been fitted with a filter, it will need to be replaced after 60,000 operations but will continue working for a further 15,000 operations but without the benefits of the HEPA filter. At approximately 75,000 operations the red LED will be flashing on the window positioned at the front of the cover and the unit will stop working until a replacement filter is fitted.

UV-C LAMP REPLACING

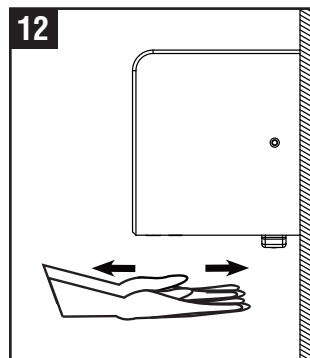
1. Remove the filter cover and filter.
2. Remove the two screws on the UV-C lamp and pull out the UV-C lamp wire jack from the UV light board.(fig.11).
3. Insert the New UV-C lamp and tighten the two screws and replace the wire jack on the UV-C lamp board.



The sterilization function of UV-C lamp will be weakened after 3 years use, the UV-C lamp needs to be replaced for maintaining proper function.

USE

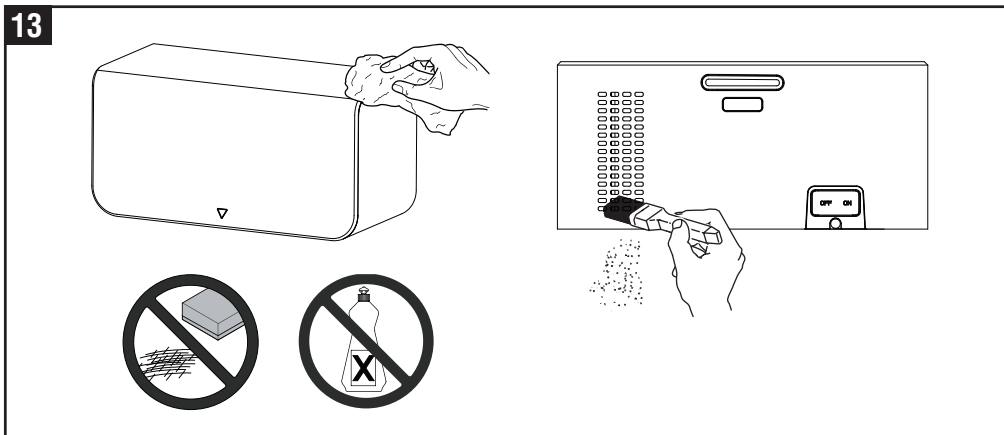
1. No touch operation.
 2. Shake excess water from hands.
 3. Place hands under the outlet to start operation (fig. 12).
 4. Slowly move hands back and forth under the outlet at the bottom of the dryer.
 5. The blue hand location LED situated by the dryer outlet starts with the drying operation.
 6. The dryer and blue LED stops when the hands are removed.
 7. Hand dryer also auto shuts off after 50 seconds of uninterrupted use.
- If there is an electrical or motor problem, the blue LED will flash when hands off the placed under the dryer outlet.
The sterilization function turns on and off automatically



MAINTENANCE AND CLEANING



Lift the Unit off the wall mounting bracket before maintenance or repair.



Regular maintenance

Regularly clean the outer casing use a soft, damp cloth to gently wipe away any dirt.

CAUTION: Never use abrasives or chemicals to clean the cover. Do not soak.

Periodical deep clean

1. Clean and maintenance must not taken until the unit has been cut off power.
2. Use the service tool or security hex driver to remove the two cover security screw.
3. Remove the cover.
4. Clean all dust and lint from the interior of the hand dryer.
5. Replace the cover.
6. Wipe the cover with a damp cloth.