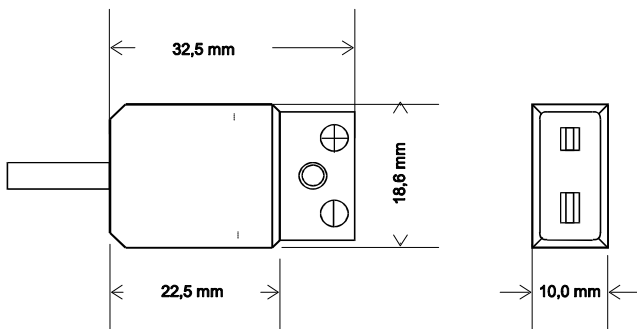




THA	
THERMOCOUPLE CONNECTOR CONDITIONER	
Ref :	
S/N:	

Texsys sensors are designed for data recording. If the user wants to include this sensor in a close loop system or active control, he must assume all responsibility.

Range	From -50 to +200 To 0 to +1250	°C
Type	K, J, T, ...	
Cold junction error	1	°C
Accuracy Range < 1000°C	0.5	%FS
Accuracy Range > 1000°C	1	%FS
Drift vs. Ambient Temperature	0.5	%FS
Sensitivity	Linear See calibration table	mV/°C
Supply Voltage	5 to 16	V
Supply Current	2	mA
Output Voltage	0-5	V
Output Impedance	47	Ω
Calibrator	Calog temperature	
Dimension	32,5x19x10	mm
Material	Aluminium	
Weight	15	g
Protection	IP53	
Vibration test	20Gpp5'	
Shock	500	G
Operating Temp	0 to +100	°C
Storage Temp	-40 to + 125	°C



Sensor Readings	
V at ____ °C	V at ____ °C

Cable : 3x26AWG FEP tinned copper braided cable 250V 200°C
 Length : _____ mm Tubing: _____
 Connector : _____

Colour	Function	Pin
Red	Supply	
White	Signal	
Black	0V GND	
Braid	Connected to case	

Target °C	Calibration tables			
	-50 to +200 20mV/°C	-100 to +400 10mV/°C	0 to +1000°C 5mV/°C	0 to +1250°C 4mV/°C
-100		0.00		
-50	0.00	0.50		
0	1.00	1.00	0.00	0.00
50	2.00	1.50	0.25	0.20
100	3.00	2.00	0.50	0.40
150	4.00	2.50	0.75	0.60
200	5.00	3.00	1.00	0.80
300		4.00	1.50	1.20
400		5.00	2.00	1.60
600			3.00	2.40
800			4.00	3.20
1000			5.00	4.00
1250				5.00

Ordering ref	ex : THA-K-200
THA - Type - Range	
K	200
J	400
T	1000
	1250
---	---

The Thermocouple probe wires must be isolated from supply ground