



# PI-6

## PITOT ASSEMBLY TUBE + PRESSURE SENSOR

Ref : \_\_\_\_\_ SN : \_\_\_\_\_

Texys sensors are designed for data recording. If the user wants to include this sensor in a close loop system or active control, he must assume all responsibility.

<b>Range</b>	50 to 76 0.72 to 1.10	mBars PSI
<b>Accuracy</b>	1	% FS
<b>Sensitivity</b>	See calibration table	V/FS
<b>Gravity sensitivity</b>	1	mV/G
<b>Cut off frequency</b>	200	Hz
<b>Offset</b>	0.5 +/- 0.1	V
<b>Supply Voltage</b>	5 to 16	V
<b>Supply Current</b>	2	mA
<b>Output Voltage</b>	0-5	V
<b>Output Impedance</b>	47	Ω
<b>Calibrator</b>	Height of water	
<b>Offset Drift (0 to 80°C)</b>	20	mV
<b>Sensitivity Drift (0 to 80°C)</b>	1	% FS
<b>Dim</b>	28x22x14.5 Tube Ø6mm 130x100	mm
<b>Weight</b>	70	g
<b>Material</b>	Aluminium + stainless steel tube	
<b>Protection</b>	IP 64	
<b>Vibration test</b>	20 Gpp 5'	
<b>Shock</b>	500	G
<b>Operating Temp</b>	0 to +85	°C
<b>Storage Temp</b>	-20 to +125	°C

Max Air speed at 25°C ambient temperature and 1000 HPa atmospheric pressure		
50 mB	70mB	76mB
333 km/h	394 km/h	410 km/h

**Warning:**

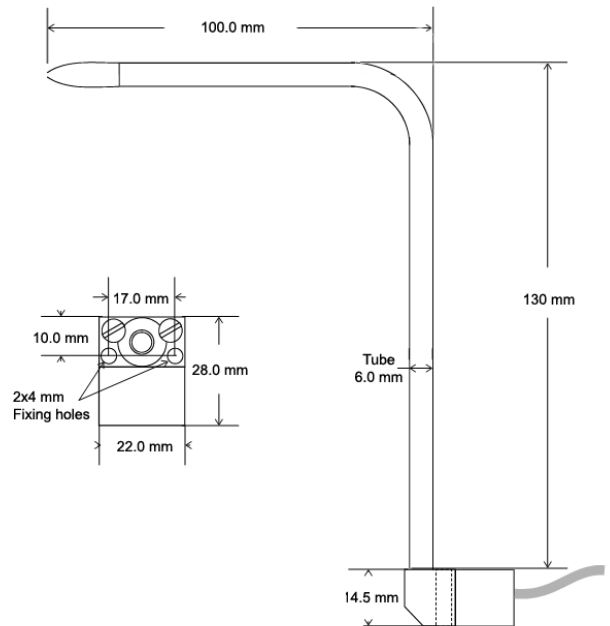
- Do not blow into the tube, with the mouth or an air line
- The sensor withstands humidity, but there is a risk of obstruction if water enters in the tube
- Beware of condensation at low temperature

Sensor Readings		
_____ V at _____ mmH <sub>2</sub> O	Sensitivity mV/ mmH <sub>2</sub> O	
_____ V at _____ mmH <sub>2</sub> O		

Cable : 3x26AWG FEP Tinned copper braided cable 250V 200°C  
 Length : \_\_\_\_\_ mm Tubing: \_\_\_\_\_  
 Connector : \_\_\_\_\_

Colour	Function	Pin
Red	Supply	
White	Signal	
Black	0V	
Braid	Connected to case	

Calibration table			
50 mB 0.725 Psi	0°5 @ 0	4°5 @ 500mmH <sub>2</sub> O	8 mV/mmH <sub>2</sub> O
70 mB 1.01 Psi	0°5 @ 0	4°5 @ 700mmH <sub>2</sub> O	5,7 mV/mmH <sub>2</sub> O
76 mB 1.10 Psi	0°5 @ 0	4°5 @ 760mmH <sub>2</sub> O	5,3 mV/mmH <sub>2</sub> O



**Ordering ref** ex : PI-6-70  
 PI - 6 - Range mB - Length mm\*  
 50  
 70  
 76  
 \*Option: PI-6 tube up to 300 mm