

GYR-P

Single Axis GYROSCOPE

Ref:

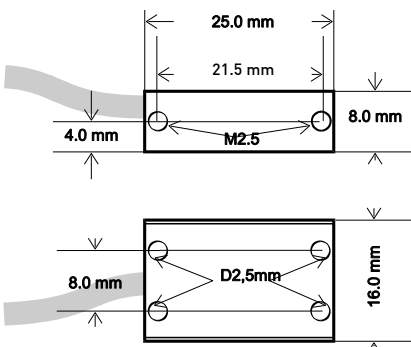
SN:

Texys sensors are designed for data recording. If the user wants to include this sensor in a close loop system or active control, he must assume all responsibility.

Range	±50, ±100, ±150	°/s
Accuracy	2	%
Sensitivity	40, 20, 13.3	mV/°/s
Cut off frequency 1st order	50	Hz
Supply Voltage	5 to 16	V
Supply Current	5	mA
Output Signal @ 0°/Sec	2.5 ± 0.1	V
Output Impedance	47	Ω
Linear analog output	0 to 5*	V
Calibrator	rotaring plate	
Zero drift (20 to 80°C)	25	mV
Gain Drift (20 to 80°C)	±1	%
Dim	25x16x8	mm
Material	Aluminium	
Weight	15	g
Protection	IP66	
Vibration test	20Gpp 5'	
Shock	500	G
Operating Temp	-40 to +105	°C
Storage Temp	-40 to +125	°C

*limited by supply voltage

Examples of inertial units with Texense Gyros and Accelerometers



GYR-P spec v02

Sensor Readings		
	0°/s	mV/°/s

Cable :

- 3X26AWG FEP tinned copper braided cable 250V 200°C
- 55M4434-28-0/2/4-9

Length : _____ mm Tubing: _____

Connector : _____

Colour	Function	Pin
Red	Supply	
Black	0V	
White	Signal	
Braid	Not connected	

Calibration table			
°/s	±50°/s 40mV/°/s	±100°/s 20mV/°/s	±150°/s 13,3mV/°/s
-150			0,5
-100		0,5	1,17
-50	0,5	1,5	1,83
0	2,5	2,5	2,5
+50	4,5	3,5	3,17
+100		4,5	3,83
+150			4,5

Out of Range

Ordering ref ex : GYR-P - 100
GYR-P - Range

- 50(°/s)
- 100(°/s)
- 150(°/s)