

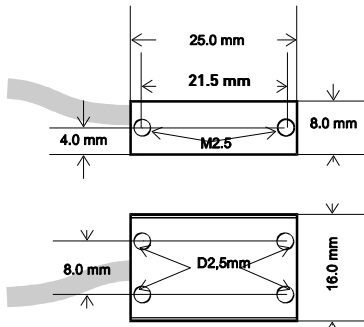
# AC-CAP2-50G

1 AXIS CAPACITIVE ACCELEROMETER

Ref: \_\_\_\_\_ SN : \_\_\_\_\_

Texys sensors are designed for data recording. If the user wants to include this sensor in a close loop system or active control, he must assume all responsibility.

<b>Range</b>	±50	G
<b>Accuracy</b>	1.5	%
<b>Sensitivity</b>	40 +/-8%	mV/G
<b>Bandwidth 6dB (std)</b>	DC to 100	Hz
<b>Max Bandwidth on request</b>	400	Hz
<b>Supply Voltage</b>	5 to 16	V
<b>Supply Current</b>	3	mA
<b>Output Voltage</b>	0 – 5	V
<b>Output Impedance</b>	47	Ω
<b>Calibrator</b>	LDS V406	
<b>Error at 0G</b>	+/- 0.1	V
<b>Resonance</b>	24	KHz
<b>Offset Drift (20 to 80°C)</b>	±20	mV
<b>Gain Drift (20 to 80°C)</b>	±2.5	%
<b>Dim</b>	25x16x8	mm
<b>Material</b>	Aluminium	
<b>Weight</b>	15	g
<b>Protection</b>	IP66	
<b>Shock</b>	1000	G
<b>Operating Temp</b>	-20 to +100	°C
<b>Storage Temp</b>	-40 to +125	°C



Sensor Readings	
Signal (V) @ -1G	
Signal (V) @ 0G	
Signal (V) @ +1G	
Sensitivity (mV/G)	
Cut off frequency (Hz) at _____ dB	

Cable :

- 3X26AWG FEP tinned copper braided cable 250V 200°C
- EPD 117723A

Length : \_\_\_\_\_ mm Tubing: \_\_\_\_\_

Connector : \_\_\_\_\_

Colour	Function	Pin
Red	Supply	
Black	0V	
White or Yellow	Signal	
Braid (not for EPD 117723A)	Not connected	

Std Calibration table	
	50G
-50	0.5 V
-40	0.9 V
-30	1.3 V
-20	1.7 V
-10	2.1 V
0	2.5 V
+10	2.9 V
+20	3.3 V
+30	3.7 V
+40	4.1 V
+50	4.5 V

**Ordering ref** ex: AC-CAP2-XG-YN

AC-CAP2-XRange-YRange

Range	
G	N
±50G	Not wired