



Connectors > Circular Connectors > Standard Circular Connectors



Product Type: **Connector**

Connector System: **Wire-to-Wire**

Number of Positions: **41**

Shell Plating Material: **Black Zinc**

Shell Material: **Aluminum Alloy**

## Features

### Product Type Features

Assembly Type	Electrical Connector
Product Type	Connector
Connector System	Wire-to-Wire
Shell Size	12
Connector Style	Receptacle
Shell Type	Metal

### Configuration Features

Factory Installed Backshell	No
Keying	Keyway Polarization N
Number of Positions	41
Preloaded	No

### Body Features

Environmental Protection Type	Sealed
Environmental Protection	With
Entry Style	Rear Insertion
Feedthrough Type	No
Shell Plating Material	Black Zinc
Shell Material	Aluminum Alloy



Insulation Material	Hard Dielectric/Silicone
---------------------	--------------------------

Hermetically Sealed	No
---------------------	----

### Contact Features

Contact Layout Arrangement	12 – 41
----------------------------	---------

Contact Type	Socket
--------------	--------

### Mechanical Attachment

Mating Retention Type	Bayonet Peg
-----------------------	-------------

Flange	2 Hole Flange
--------	---------------

Mating Alignment	With
------------------	------

Polarization Code	N
-------------------	---

Mating Alignment Type	Keyed
-----------------------	-------

Mating Retention	With
------------------	------

### Dimensions

Assembly Length	20.25 mm
-----------------	----------

Wire Size	24 AWG
-----------	--------

### Usage Conditions

IP Water Sealing Level	7
------------------------	---

Fluid Resistance	Immersible
------------------	------------

IP Dust Sealing Level	6
-----------------------	---

Operating Temperature Range	-55 – 175 °C
-----------------------------	--------------

### Operation/Application

Durability Rating	500 Cycles
-------------------	------------

### Other

Field Serviceable	Yes
-------------------	-----

### Product Compliance

[For compliance documentation, visit the product page on TE.com>](#)

EU RoHS Directive 2011/65/EU	Compliant with Exemptions
------------------------------	---------------------------

EU ELV Directive 2000/53/EC	Compliant with Exemptions
-----------------------------	---------------------------

China RoHS 2 Directive MIIT Order No 32, 2016	Restricted Materials Above Threshold
---	--------------------------------------

EU REACH Regulation (EC) No. 1907/2006	Current ECHA Candidate List: JUL 2019 (201)
--	---



Candidate List Declared Against: JAN 2019 (197)  
Does not contain REACH SVHC

EU REACH Regulation (EC) No. 1907/2006

Current ECHA Candidate List: JUL 2019 (201)  
Candidate List Declared Against: JAN 2019 (197)

Halogen Content

Not Yet Reviewed for halogen content

Solder Process Capability

Reflow solder capable to 245°C


Product Compliance Disclaimer

This information is provided based on reasonable inquiry of our suppliers and represents our current actual knowledge based on the information they provided. This information is subject to change. The part numbers that TE has identified as EU RoHS compliant have a maximum concentration of 0.1% by weight in homogenous materials for lead, hexavalent chromium, mercury, PBB, PBDE, DBP, BBP, DEHP, DIBP, and 0.01% for cadmium, or qualify for an exemption to these limits as defined in the Annexes of Directive 2011/65/EU (RoHS2). Finished electrical and electronic equipment products will be CE marked as required by Directive 2011/65/EU. Components may not be CE marked. Additionally, the part numbers that TE has identified as EU ELV compliant have a maximum concentration of 0.1% by weight in homogenous materials for lead, hexavalent chromium, and mercury, and 0.01% for cadmium, or qualify for an exemption to these limits as defined in the Annexes of Directive 2000/53/EC (ELV). Regarding the REACH Regulations, TE's information on SVHC in articles for this part number is still based on the European Chemical Agency (ECHA) 'Guidance on requirements for substances in articles' (Version: 2, April 2011), applying the 0.1% weight on weight concentration threshold at the finished product level. TE is aware of the European Court of Justice ruling of September 10th, 2015 also known as O5A (Once An Article Always An Article) stating that, in case of 'complex object', the threshold for a SVHC must be applied to both the product as a whole and simultaneously to each of the articles forming part of its composition. TE has evaluated this ruling based on the new ECHA "Guidance on requirements for substances in articles" (June 2017, version 4.0) and will be updating its statements accordingly.

## Compatible Parts

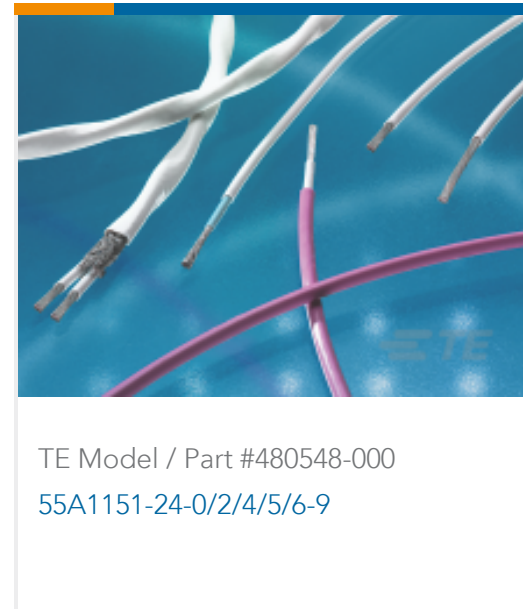
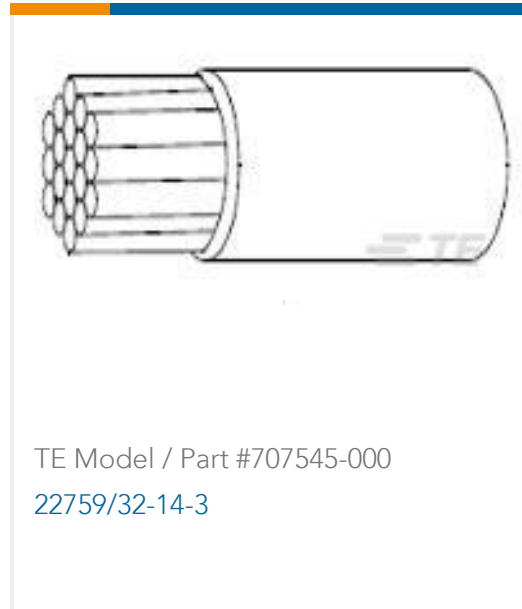
TE Model / Part #  
ZPF000000000000867  
[PINCE AFM-8](#)

## Also in the Series | DEUTSCH ASDD



[Standard Circular Connectors\(155\)](#)

## Customers Also Bought



## Documents

### Product Drawings

[RECEPT 2 HOLE MTG ASSY 12-41 AS DOUBLE D](#)

English

### Datasheets & Catalog Pages

[AS Micro Xtra Lite HE](#)

English