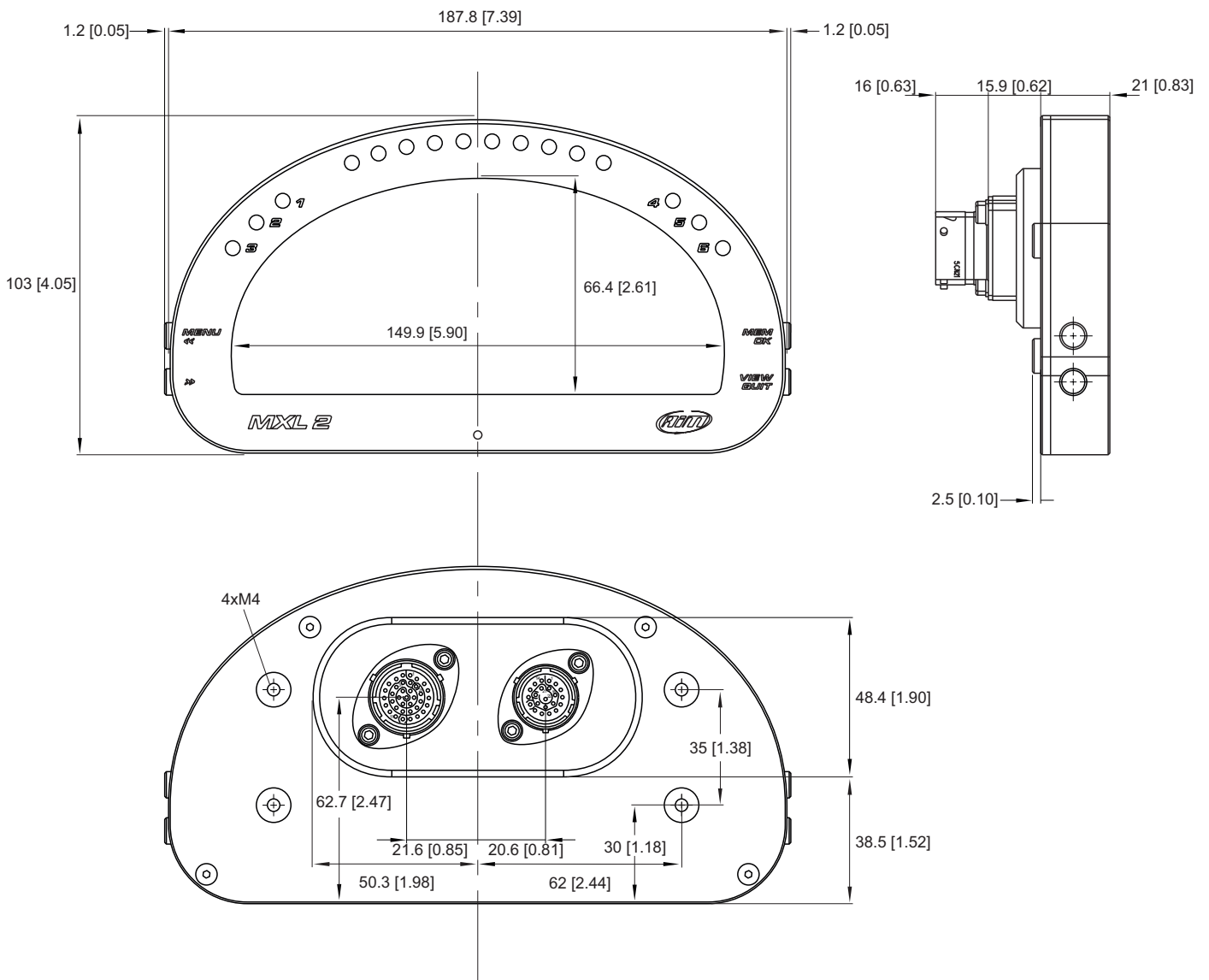




AiM MXL2

Dash logger





AiM MXL2

Dash logger

Technical specifications

| | |
|-----------------------------|--|
| Display | LCD display + graphical portion |
| Backlight | White or red |
| Ambient light sensor | Yes |
| Alarm LEDs | 6 configurable RGB LEDs |
| Shift Lights | 10 configurable RGB LEDs |
| CAN connections | 3 |
| ECU connection | CAN, RS232 or K-Line to 1,000+ industry leading ECUs |
| External modules | GPS Module, Channel Expansion, Thermocouple Expansion, Lambda Controller, SmartyCam HD |
| Analog inputs | 8 fully configurable, max 1,000 Hz each |
| Digital inputs | 4 Speed inputs, lap signal, coil RPM input |
| Digital outputs | 2 (1 Amp max each) |
| Second CAN | Yes |
| WiFi connection | Yes |
| Inertial platform | Internal 3 axis $\pm 5G$ accelerometer + 3 axis gyro |
| Internal memory | 4 GB |
| Body | Anodized Aluminum |
| Pushbuttons | Metallic |
| Connectors | 2 Motorsport connectors |
| Dimensions | 187.8x103x21 mm |
| Weight | 530 g |
| Power consumption | 400 mA |
| Waterproof | IP65 |



AiM MXL2

Dash logger

In the box

MXL2, GPS Module with cable, USB cable, 37 pins standard harness, Race Studio 3 software

Part numbers

X18MXL2GPS130 MXL2 + GPS Module with 1.30 m cable length

X18MXL2GPS400 MXL2 + GPS Module with 4.00 m cable length

Spare parts

V02573010 37 pins standard harness

X40GPS5B130 GPS Module with 1.30 m cable length

X40GPS5B400 GPS Module with 4.00 m cable length

V02573030 USB adapter

X90TMPC002 USB cable

Optionals

V02573020 22 pins harness

V02573080 22 pins harness with 1 thermocouple

V02573160 22 pins harness with 2 thermocouples

V02573040 37 pins harness with 1 thermocouple

V02573050 37 pins harness with 2 thermocouples

5CN822F00 22 pin female Deutsch connector

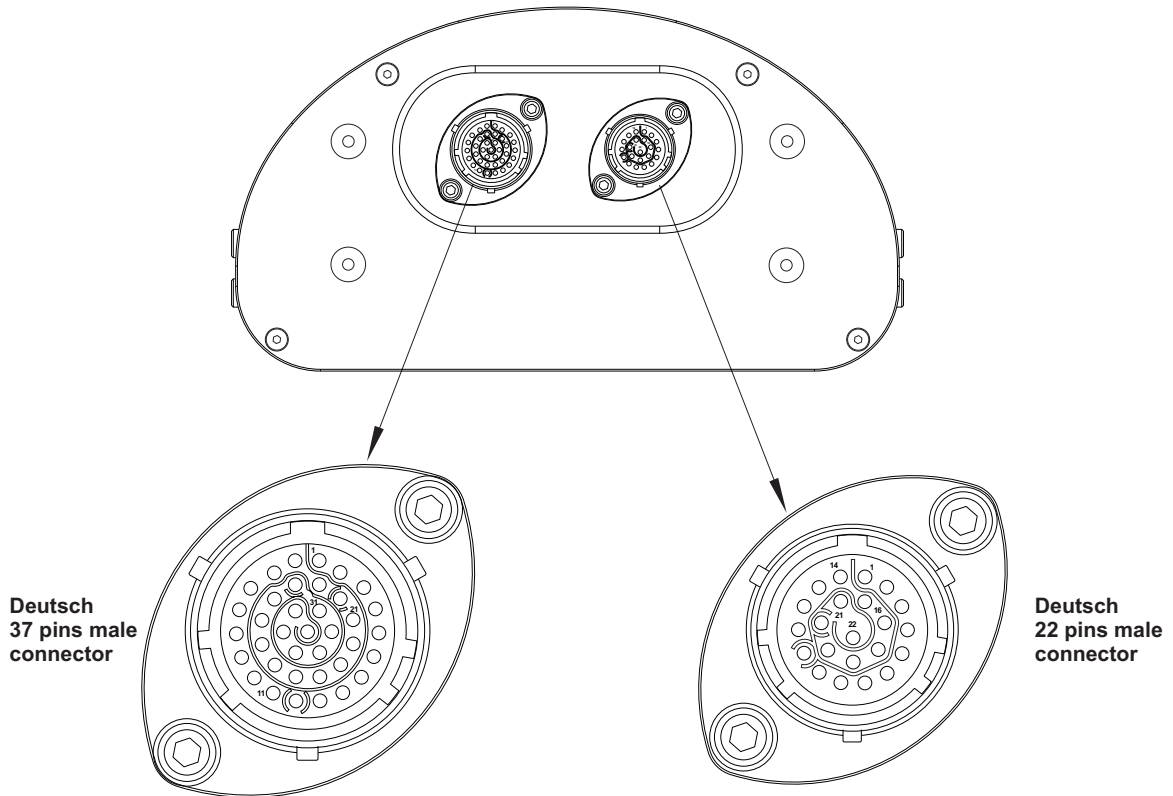
5CN837F00 37 pin female Deutsch connector



AiM MXL2

Dash logger

Pinout



Deutsch
37 pins male
connector

Deutsch
22 pins male
connector

| 37 pins Deutsch connector pin | Pin function |
|-------------------------------|-------------------|
| 1 | 9-15V Power input |
| 2 | Battery GND |
| 3 | CAN+ Exp |
| 4 | GND |
| 5 | +Vbattery CAN |
| 6 | CAN- Exp |
| 7 | +Vb ext |
| 8 | CAN1+ ECU |
| 9 | CAN 1- ECU |
| 10 | K-Line GND |
| 11 | K-Line ECU |
| 12 | USB D+ |
| 13 | USB D- |
| 14 | GND |
| 15 | RPM |
| 16 | GND |
| 17 | +Vbattery |
| 18 | Optical lap |
| 19 | Speed |
| 20 | GND |
| 21 | +Vbattery |
| 22 | Analog input 1 |
| 23 | Analog GND |
| 24 | +Vbattery |
| 25 | +Vreference |
| 26 | Analog input 2 |
| 27 | Analog GND |
| 28 | +Vbattery |
| 29 | +Vreference |
| 30 | Analog input 3 |
| 31 | Analog GND |
| 32 | +Vbattery |
| 33 | +Vreference |
| 34 | Analog input 4 |
| 35 | Analog GND |
| 36 | +Vbattery |
| 37 | +Vreference |

| 22 pins Deutsch connector pin | Pin function |
|-------------------------------|------------------|
| 1 | Analog input 5 |
| 2 | Analog GND |
| 3 | +Vbattery |
| 4 | +Vreference |
| 5 | Analog input 6 |
| 6 | Analog input 7 |
| 7 | Analog GND |
| 8 | +Vbattery |
| 9 | +Vreference |
| 10 | Analog input 8 |
| 11 | Speed 2 |
| 12 | GND |
| 13 | +Vbattery |
| 14 | Speed3 |
| 15 | Speed4 |
| 16 | GND |
| 17 | CAN2+ ECU |
| 18 | CAN2- ECU |
| 19 | Digital output 1 |
| 20 | Digital output 2 |
| 21 | ECU RS232RX |
| 22 | ECU RS2R2TX |