

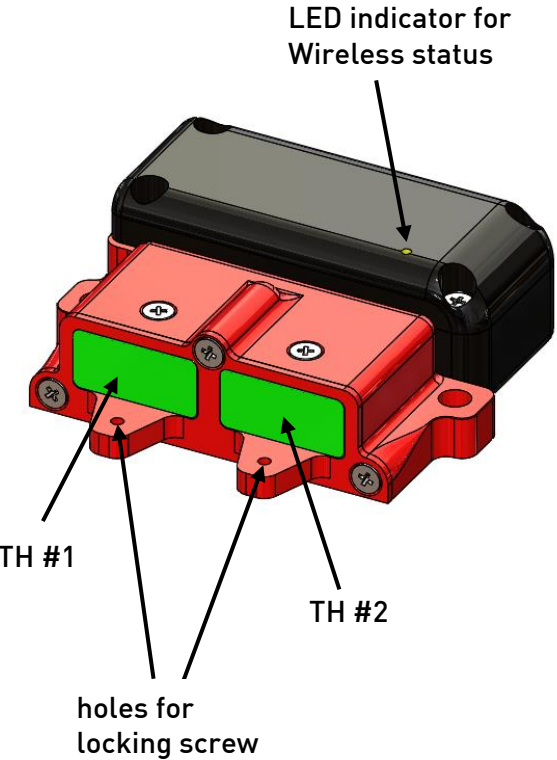
THN2xWS4	
THERMOCOUPLE 2 CHANNELS WIRELESS SLAVE FOR GenWM	
Ref: THN2xWS4-XXXX	
SN: UXXXXXXXXX	Software version :VX.XX
PAIRED MASTER : SN	UXXXXXXXXX

Texsys sensors are designed for data recording. If the user wants to include this sensor in a close loop system or active control, he must assume all responsibility.

Range	From -100 to 1250 °C	°C
type	K	
Accuracy	±1 °C for FS<400°C or 0.25%FS for FS>400°C	
Cold junction error	± 0.7	°C
Sampling frequency	10	Hz
RF Frequency Band	868 / 902 / 920	MHz
Receiver Sensitivity	-112	dBm
RF Emission Power	0 to 13 dBm (1 to 20mW) (Default setting 10dBm)	dBm
Battery Rating Voltage	3.6	V
Battery capacity @25°C	750	mAh
Average current consumption @25°C	Idle mode : 0.3 mA to 5mA See user guide Run mode : 10mA @ 10Hz	
Calibrators	Calog	
Dimension	61x56x18.5	mm
Material	PLASTIC PR751 AND ALUMINUM	
Weight	80	g
Box protection	IP50	
Vibration test	20Gpp 5'	
Shock	500	G
Operating Temp	-20 to +85	°C
Storage Temp	-20 to +85	°C

Sensor Readings		
Target	0 °c	200°C
1		
2		

Setup parameters		
RF channel jump sequence	0	-
System ID	0	-
Slave ID	1	-
Auto wake-up timer	5	minutes
Accelerometer idle threshold	500	mG
Accelerometer wake-up threshold	750	mG
Accelerometer double-tap threshold	7750	mG
Accelerometer double-tap time window	250	ms



Ordering ref:
THN2xWS4 - Range
K200 : type K -50 to 200°C
K400 : type K -100 to 400°C
K1250 : type K -50 to 1250°C
 Ex: THN2xWS4-K200

Changing parameters

Must be setup according to Texense's CAN protocol, or by using the Texense Android Smart Tool (tAST®) with your android device. Contact us at info@texense.com

Sensor parameters:

N°	Parameter	Raw values	Comments	Default value
0x80	RF channel jump sequence	0 to 2		Default : 0
0x81	System ID	0 to 15		Default : 0
0x82	Slave ID	1 to 22		Default : 1
0x83	Auto wake-up timer	2 to 60	1 minute/bit	Default : 5
0x84	Accelerometer double-tap threshold	0 to 31	250mG/bit	Default : 4 (1 G)
0x85	Accelerometer double-tap time window	0 to 7	0 = 50 ms 1 = 100 ms 2 = 150 ms 3 = 200 ms 4 = 250 ms 5 = 375 ms 6 = 500 ms 7 = 700 ms	Default : 4 (250 ms)
0x86	Accelerometer idle threshold	0x00 to 0xFF	15.63mG/bit	Default : 0x20 (500mG)
0x87	Accelerometer wake-up threshold	0x00 to 0xFF	15.63mG/bit	Default : 0x30 (750mG)
0x88	Temperature unit	0	Fahrenheit	Default
		1	Celsius	

Mechanical design

