



IRN8WS4	
8-CHANNELS WIRELESS INFRARED TEMPERATURE SENSOR. WIRELESS SLAVE	
Ref : IRN8WS4-	
SN: U	Software version :
Paired master :U	

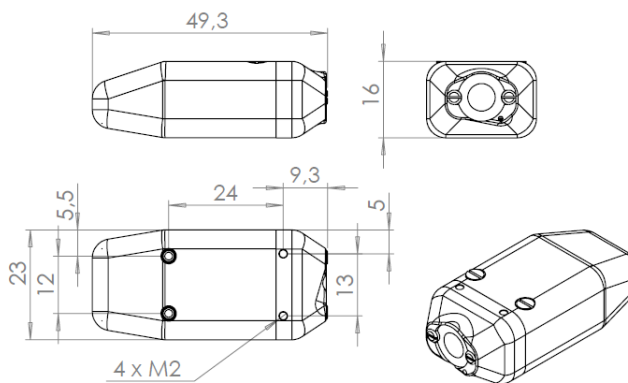
Texys sensors are designed for data recording. If the user wants to include this sensor in a close loop system or active control, he must assume all responsibility.

Range	-20 to +200 -20 to +140	°C
Measurement	8 channels in line	
Accuracy at FS	+/- 1% FS	
Response time	260 at FS	ms
RF Frequency	868 MHz / 902 MHz / 920 MHz	
Receiver Sensitivity	-112 dBm	
RF Emission power	0 to 14 dBm (1 to 20mW) Driven by GenWM	
Battery Rating Voltage	3.6	V
Battery capacity @25°C	400	mAh
Avg current consumption @25°C	Sleep mode with magnet : 0.005 Idle mode : 0.1 Run mode 10Hz: 9 Run mode waiting for RF connection : 30	mA
Sensitive Element	Thermopile with Silicon Lens	
Wave Length	8 to 14	µm
Calibrator	<input checked="" type="checkbox"/> Fluke 4181 <input type="checkbox"/> ECN 100 N12	
Field of view (90% radiation)	6.5 :1 (30mm at 200mm)	
Mean Angle between channels	4.5	°
Total width	See Table (total angle 41.5°)	
Lens protection	Replaceable window (PEHD)	
Dimensions	49,3 x 23 x 16	mm
Material	Plastic/Aluminium	
Weight	25	g
Protection	IP64	
Vibration test	20Gpp 5'	
Shock	500	G
Operating Temp	-20 to +85	°C

Distance	Ø target per channel	Total width
200 mm	30 mm	152 mm
300 mm	45 mm	228 mm
400 mm	60 mm	304 mm
500 mm	75 mm	380 mm
600 mm	90 mm	456 mm
700 mm	105 mm	532 mm

Sensor Readings		
channel	26 °C	180 °C
1		
2		
3		
4		
5		
6		
7		
8		
Calibration Distance		370 mm

Setup parameters		
RF channel jump sequence	0	-
System ID	00	-
Slave ID	01	-
Accelerometer idle threshold	500	mG
Accelerometer wake-up threshold	750	mG



Ordering ref	ex: IRN8WS4-200
IRN8WS4 - Range -	
200 (200°C)	
140 (140°C)	

Changing parameters

Must be setup according to Texense's CAN protocol, or by using the Texense Android Smart Tool (tAST[®]) with your android device. Contact us at info@texense.com

Sensor parameters:

N°	Parameter	Raw values	Comments	Default value
0x80	RF channel jump sequence	0 to 2		Default : 0
0x81	System ID	0 to 15		Default : 0
0x82	Slave ID	1 to 22		Default : 1
0x86	Accelerometer idle threshold	0x00 to 0xFF	15.63mG/bit	Default : 0x20 (500mG)
0x87	Accelerometer wake-up threshold	0x00 to 0xFF	15.63mG/bit	Default : 0x30 (750mG)