

RaceGrade

Document Number		RG_SPEC_0031	
Title		RaceGrade APT-KM42 Pressure Transducer	
Revision	Date	Prepared By	Change History
2.0	10/16/14	Hannah Westbrook	Initial release

Introduction

This APT-KM42-2000 Pressure Transducer produces a DC voltage proportional to the pressure reading. It provides accurate and repeatable sensor readings by accounting for the effects of temperature, hysteresis and non-linearity. Featuring a wetted stainless steel design, it is compatible with all fluids and is hermetically sealed with an IP 67 ingress rating. It comes with a 3/8-24UNF-2A with O-ring as the pressure port, and an AS4H06-05PN-HE 5 pin Autosport connector. Multiple pressure ranges are available.

Part #	Range
RG APT-KM42-150	150 PSI Gauge
RG APT-KM42-2000	2000 PSI Gauge

Calibration:

*Can be wired to an AT or AV input

0.5v = 0 PSI

4.5v = Full scale pressure



Specifications:

- Fitting: 3/8-24UNF-2A
- Output: 0.5 to 4.5 Vdc
- Supply: 5 +/- 0.5 Vdc
- Current: < 4 mA
- Temperature Range: -40°C to 125°C
- Total Error: 1.0 % of F.S. Pres
- Proof Pressure: 2 x F.S Pres
- Burst Pressure: 5 X F.S. Pres
- Response time : < 1 ms
- Main Seal: Welded Stainless
- Weight: 46 grams
- Random Vibration : 20g

Connection:

Mating connector: MS ASL606-05SN

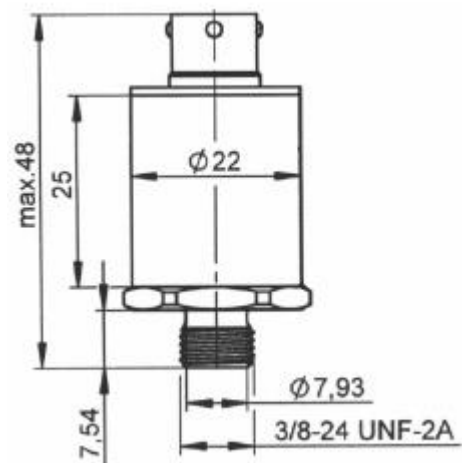
pin 1 – 0v

pin 2 – N/C

pin 3 – Signal

pin 4 – N/C

pin 5 – 5v



Note: Sensor should be mounted remotely to avoid engine vibration damage.