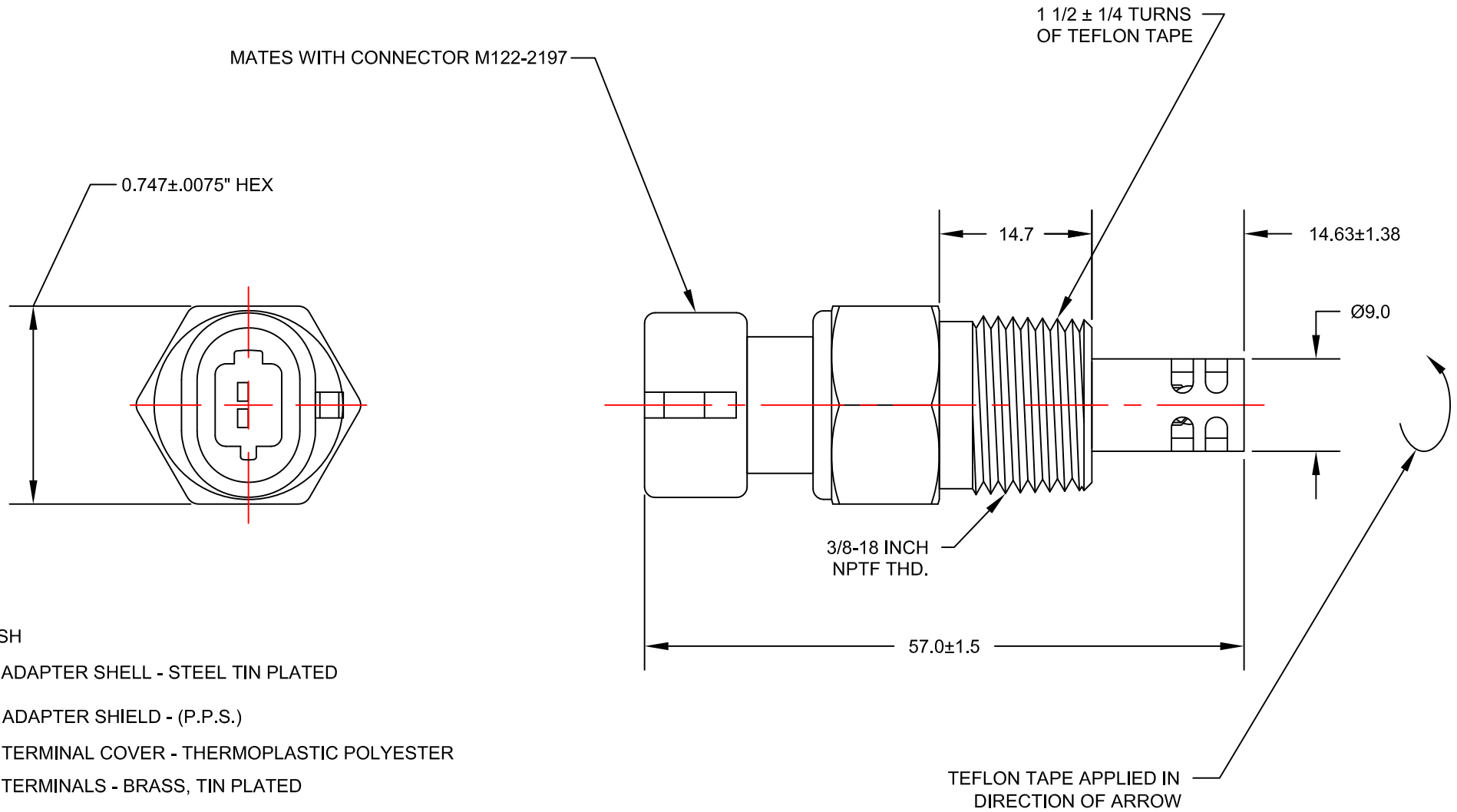


Motec

M25-7225 AIR TEMP SENSOR



SENSOR SETUP	SOFT	SENSOR TYP	DESCRIPTION
MOTEC M4	4.0 ↑	2	DELCO 3.3K NTC
MOTEC M8	4.0 ↑	2	DELCO 3.3K NTC

10/9/02

AVOID LOCATING
WHERE FUEL STANDOFF
CAN CAUSE TEMP ERRORS.