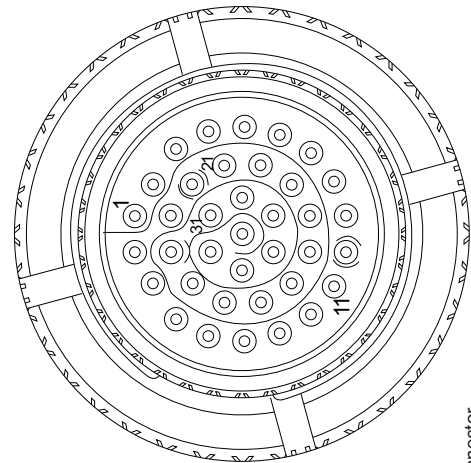


5 pins Binder 712 female connector pinout solder termination view



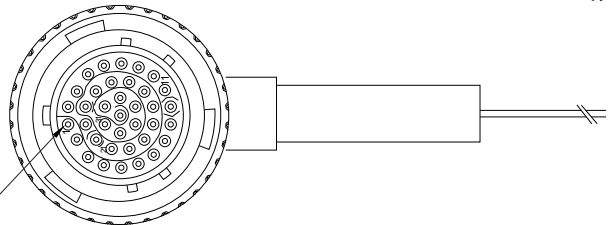
4 pins Binder 719 female connector pinout solder termination view

SEZ A-A



37pins Deutsch connector contact insertion view

37 pins Deutsch connector external view



Harness front view

Pin1

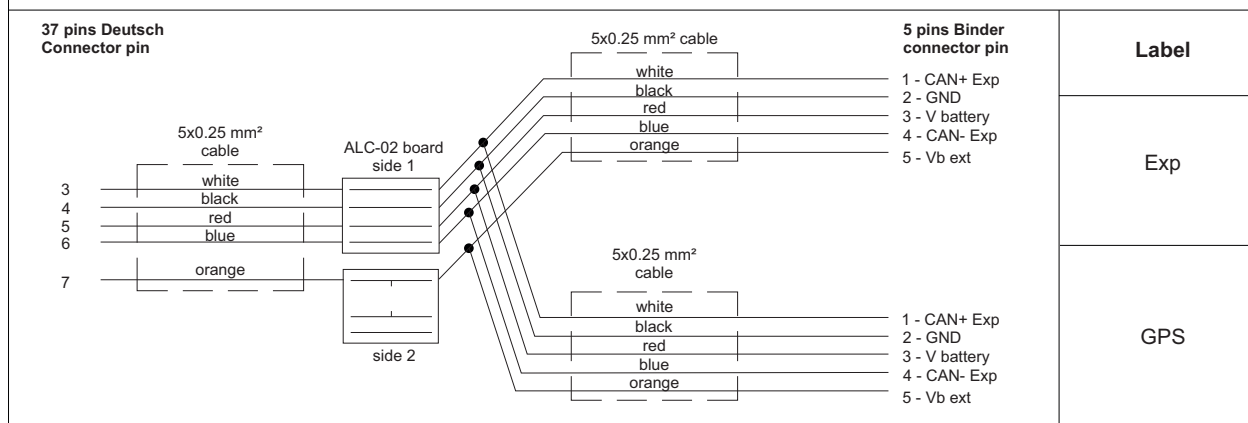
Rif. / Ref.	Q.tà / Q.ty	Materiale / Material			N. articolo / Item N.	
Progettato da / Designed by <b>D.B.</b>		Contr. da/ Ckd. by	Approvato da/ Approved by	Nome file / File name	Data / Date <b>31/08/12</b>	Scala / Scale
			Titolo/Title Cablaggio standard connettore Deutsch 37 pin per MXL2/MXG/MXG 1.2/MXP/MXS/MXS1.2			
			N. disegno / Drawing N. <b>04.573.01</b>			Rev. / Rev <b>8</b>

### Table cables ending with 4 pins Binder 719 female connector

37 pins Deutsch connector pin	Cable colour	Destination connector pin	Cable type	Length	Channel	Label
22 23 24 25	White Black Red Blue	1 2 3 4	4x0.35mm <sup>2</sup>	340mm	Analog channel 1 GND V Battery V Reference	Ch.1
26 27 28 29	White Black Red Blue	1 2 3 4	4x0.35mm <sup>2</sup>	340mm	Analog channel 2 GND V Battery V Reference	Ch.2
30 31 32 33	White Black Red Blue	1 2 3 4	4x0.35mm <sup>2</sup>	360mm	Analog channel 3 GND V Battery V Reference	Ch.3
34 35 36 37	White Black Red Blue	1 2 3 4	4x0.35mm <sup>2</sup>	360mm	Analog channel 4 GND V Battery V Reference	Ch.4
19 20 21	White Black Blue n.c.	1 2 3 4	3x0.35mm <sup>2</sup>	320mm	Speed 1 GND V Battery n.c.	speed 1
16 17 18	n.c. Black Blue White	1 2 3 4	3x0.35mm <sup>2</sup>	320mm	n.c. GND V Battery Optical lap	Lap
12 14 13	White* Black Blue* n.c.	1 2 3 4	2x0.35+1x0.35 twistato	1100mm	USB D+ GND USB D- n.c.	USB

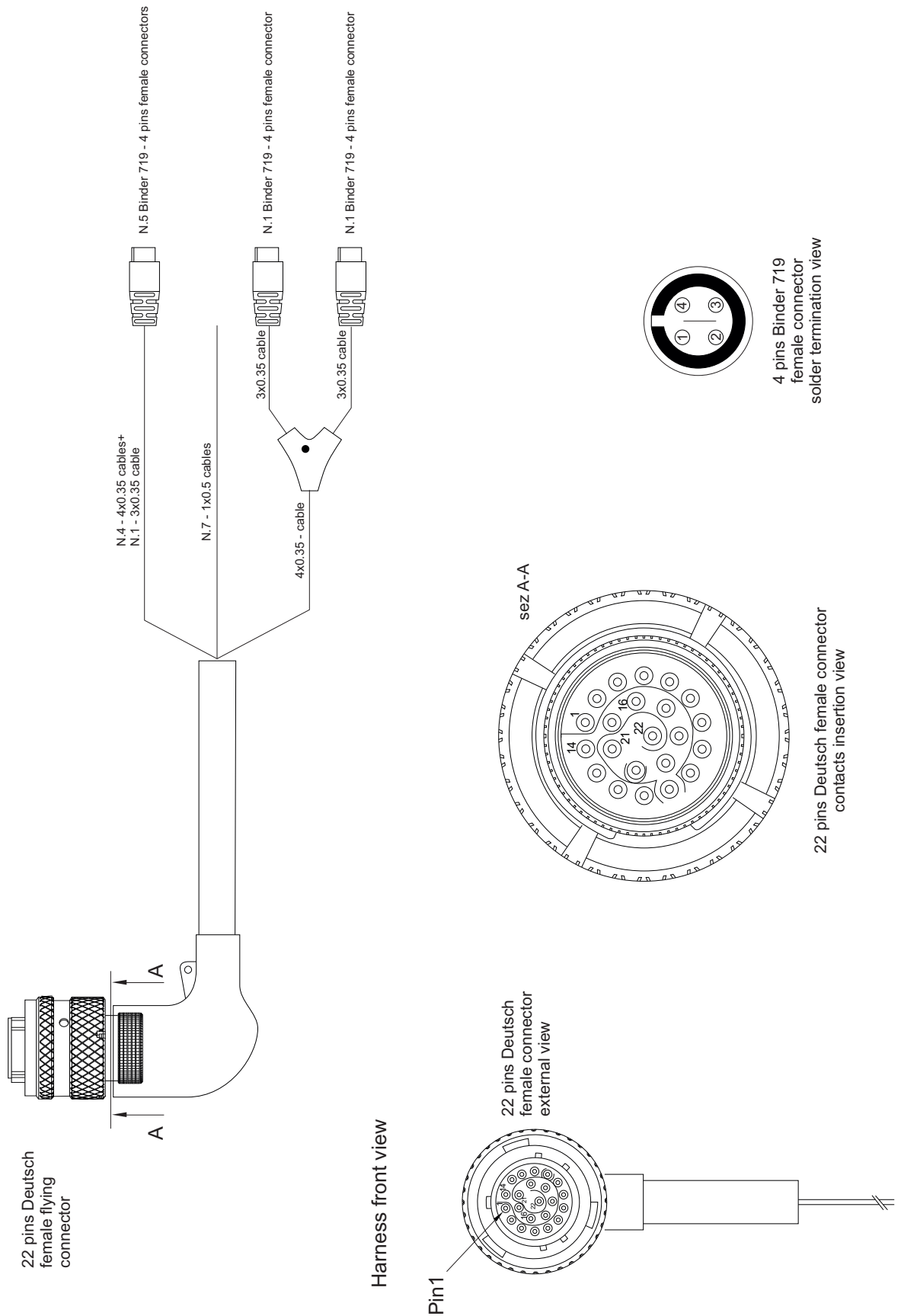
\*= twisted

### Table of cables ending with 5 pins Binder 712 female connector



### Table of not ended cables

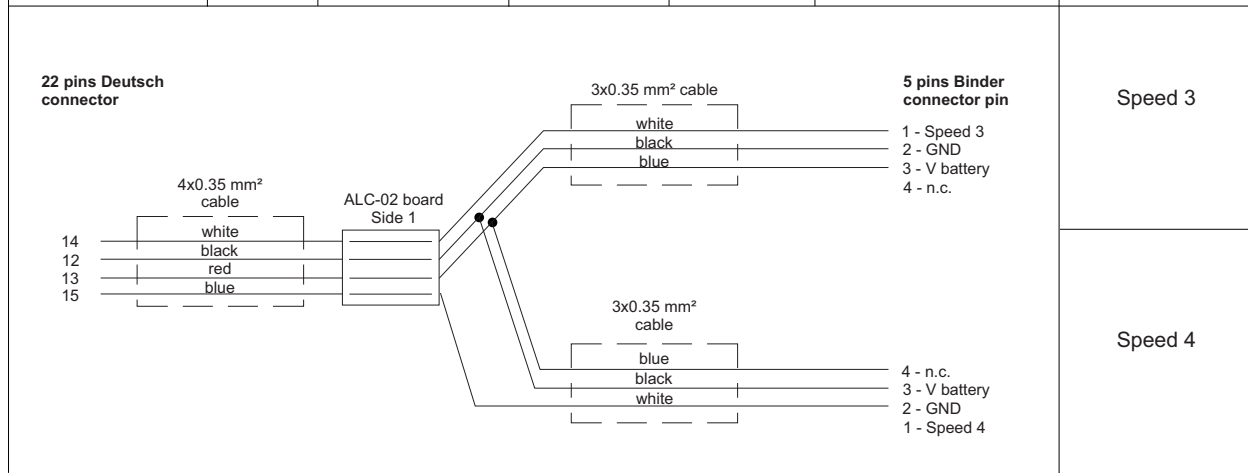
Connector pin	Cable colour	Cable type	Length	Label
15	white	1x0.5mm <sup>2</sup>	550mm	RPM
2 1	black red	1x0.5mm <sup>2</sup> 1x0.5mm <sup>2</sup>	550mm	GND 9-15V Power input
8 9 10 11	white blue black blue	1x0.5mm <sup>2</sup> 1x0.5mm <sup>2</sup> 1x0.5mm <sup>2</sup> 1x0.5mm <sup>2</sup>	550mm	CAN1+ CAN1- K-Line GND K-Line



Rif. / Ref.	Q.tà / Q.ty	Materiale / Material		N. articolo / Item N.	
Progettato da / Designed by <b>D.B.</b>		Contr. da/ Ckd. by	Approvato da/ Approved by	Nome file / File name	Data / Date <b>31/08/12</b>
		Titolo/Title Cablaggio standard connettore Deutsch 22 pin per MXL2/MXG/MXG 1.2/MXP/MXS/MXS1.2			
		N. disegno / Drawing N. <b>04.573.02</b>		Rev. / Rev <b>5</b>	Foglio / Sheet <b>1 di 2</b>

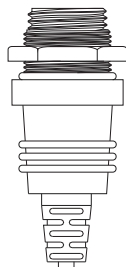
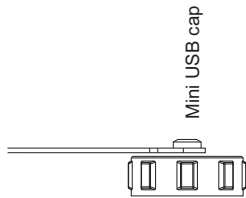
### Table of cables ending with 4 pins Binder 719 female connector

22 pins Deutsch connector pin	Cable colour	Destination connector pin	Cable type	Length	Channel	Label
1 2 3 4	White black Red Blue	1 2 3 4	4x0.35mm <sup>2</sup>	380mm	Analog Channel 5 GND V Battery V Reference	Ch.5
5 2 3 4	White Black Red Blue	1 2 3 4	4x0.35mm <sup>2</sup>	380mm	Analog Channel 6 GND V Battery V Reference	Ch.6
6 7 8 9	White Black Red Blue	1 2 3 4	4x0.35mm <sup>2</sup>	400 mm	Analog Channel 7 GND V Battery V Reference	Ch.7
10 7 8 9	White Black Red Blue	1 2 3 4	4x0.35mm <sup>2</sup>	400mm	Analog Channel 8 GND V Battery V Reference	Ch.8
11 12 13	White Black Blue n.c.	1 2 3 4	3x0.35mm <sup>2</sup>	320mm	Speed 2 GND V Battery n.c.	Speed 2

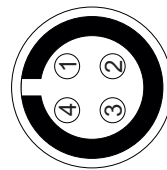
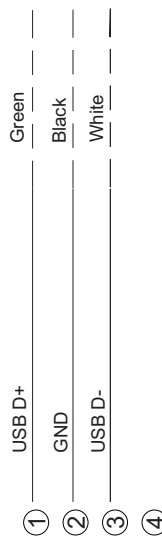


### Table of not ended cables

22 pins Deutsch connector pin	Cable colour	Cable type	Length	Label
19 20	bianco blu	1x0.5mm <sup>2</sup> 1x0.5mm <sup>2</sup>	550mm	Digital output 1 Digital output 2
17 18 16 21 22	bianco blu nero bianco blu	1x0.5mm <sup>2</sup> 1x0.5mm <sup>2</sup> 1x0.5mm <sup>2</sup> 1x0.5mm <sup>2</sup> 1x0.5mm <sup>2</sup>	550mm	CAN2+ CAN2- GND ECU RS232RX ECU RS232TX



4 pins Binder 719  
male connector



4 pins Binder 719  
male connector pinout  
solder termination view

Rif. / Ref.	Q.tà / Q.ty	Materiale / Material			N. articolo / Item N.	
Progettato da / Designed by <b>D.B.</b>		Contr. da/ Ckd. by	Approvato da/ Approved by	Nome file / File name		Scala / Scale
				Data / Date <b>31/08/12</b>		
		Titolo/Title Cavo adattatore USB per MXL2/MXG/MXG 1.2/MXP/MXS/MXS1.2				
		N. disegno / Drawing N. <b>04.573.20</b>		Rev. / Rev <b>8</b>	Foglio / Sheet	