

8xPDIFFW

8 CHANNEL DIFFERENTIAL PRESSURE SENSOR WIRELESS

Ref : 8XPDIFFW-XXX

SN: UXXXXXXXX

Software version : VXXX

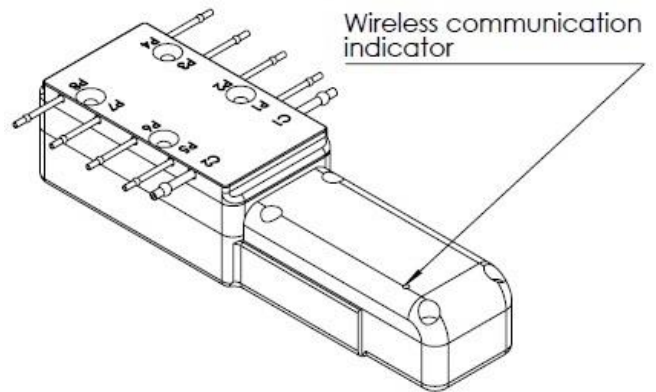
Paired master : SN : UXXXXXXXX

Texys products are designed for data recording. If the user wants to include this sensor in a closed loop system or active control, he must assume all responsibility.

Pressure range	-350...+350	mbar
Pressure resolution	0.1 mBar	
Pressure accuracy	± 1% FS from 5 to 85°C	
Internal temperature resolution	0.5°C	
Sampling frequency	1 to 100	Hz
RF Frequency	868 MHz/902MHz/920MHz	
Receiver Sensitivity	-112 dBm	
RF Emission Power	0 to 14 dBm (1 to 20mW) (Default setting 14dBm)	
Battery Rating Voltage	3.6	V
Battery capacity @25°C	750	mAh
Average current consumption @25°C	Idle mode : 0.6 Run mode 1Hz : 11 Run mode 10Hz : 12 Run mode 50Hz : 17 Run mode 100Hz : 22	mA
Dimensions	101x36x15	mm
Material	Plastic+Aluminum	
Weight	55	g
Protection	IP64	
Vibration test	20Gpp 5'	
Shock	500	G
Operating Temp	5 to +85	°C
Storage Temp	-40 to +85	°C

Sensor Readings			
Channel	At...	At...	At...
1			
2			
3			
4			
5			
6			
7			
8			

Setup parameters		
RF channel jump sequence	0	-
System ID	0	-
Slave ID	01	-
Wake-up timer	15	min
Accelerometer idle threshold	484	mG
Accelerometer wake-up threshold	687	mG
Accelerometer double-tap threshold	7750	mG
Accelerometer double-tap time window	250	ms



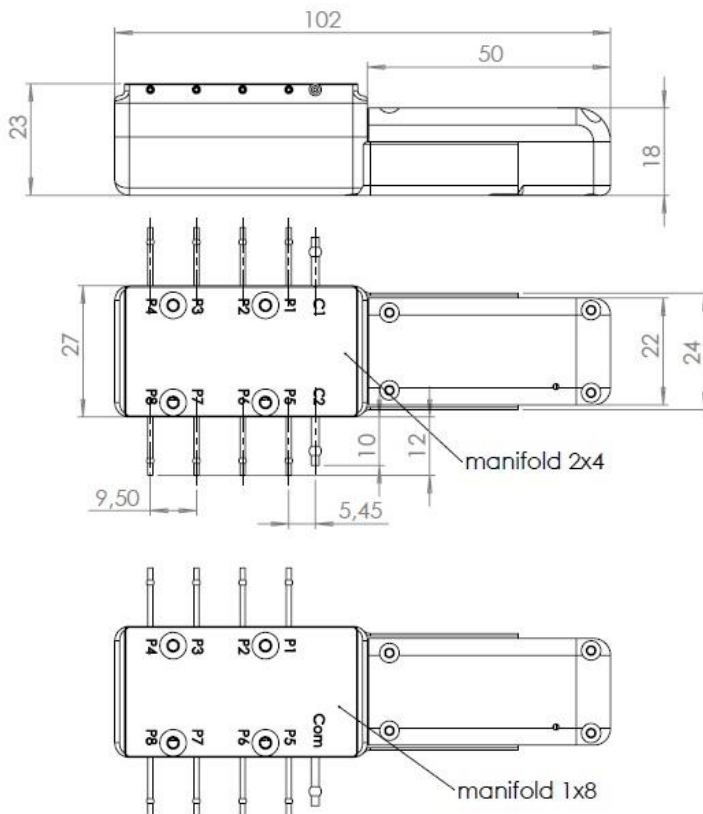
Ordering ref ex: 8xPDIFFW-150-1C

8xPDIFFW-Pressure range-Com number

76 : ± 76 mbar
150 : ±150 mbar
250 : ±250 mbar
350 : ±350 mbar

1C: Manifold 1x8
2C: Manifold 2x4

Mechanical drawing



Manifold 2x4:

- C1 is the common ref. for P1-P4
- C2 is the common ref. for P5-P8

Manifold 1x8:

- Com is the common ref. for P1-P8

Changing parameters

Must be setup according to Texense's CAN protocol, or by using the Texense Android Smart Tool (tAST®) with your android device. Contact us at info@texense.com

Sensor parameters:

N°	Parameter	Raw values	Comments	Default value
0x80	RF channel jump sequence	0 to 2		Default : 0
0x81	System ID	0 to 15		Default : 0
0x82	Slave ID	1 to 22		Default : 1
0x83	Auto wake-up timer	2 to 60	1 minute/bit	Default : 15
0x87	Accelerometer idle threshold	0x00 to 0xFF	15.63mG/bit	Default : 0x1F (484mG)
0x88	Accelerometer wake-up threshold	0x00 to 0xFF	15.63mG/bit	Default : 0x2C (687mG)
0x89	Accelerometer double-tap threshold	0x00 to 0x1F	250mG/bit	Default : 0x1F (7.750 G)
0x8A	Accelerometer double-tap time window	0 to 7	0 = 50 ms 1 = 100 ms 2 = 150 ms 3 = 200 ms 4 = 250 ms 5 = 375 ms 6 = 500 ms 7 = 700 ms	Default : 4 (250 ms)