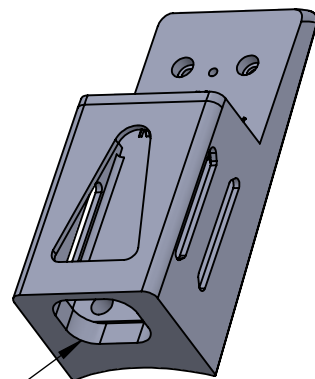


Curvature  
Matches  
Body Tube  $\phi$



Camera protrudes 0.1-0.16"  
from shroud depending on lens

|   |                |                           |                |               |
|---|----------------|---------------------------|----------------|---------------|
| UNLESS OTHERWISE SPECIFIED:<br>DIMENSIONS ARE IN INCHES |                | <b>Additive Aerospace</b> |                |               |
| Layer Thickness   | 250um          | Product:                  | RunCam6 Shroud | Rev. <b>A</b> |
| MATERIAL:   | 3D Printed PET | Drawn By                  | Andrew Diehl   | 10/11/18      |
| Mass  | 46g            | SIZE <b>A</b>             | SCALE:5:1      | SHEET 1 OF 1  |