

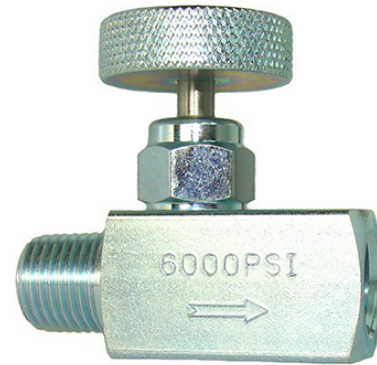


# NVS "SUPER MINI" NEEDLE VALVE

**Strong and Durable, Super Compact Size Needle Valve**  
Pressures up to 6,000 psi

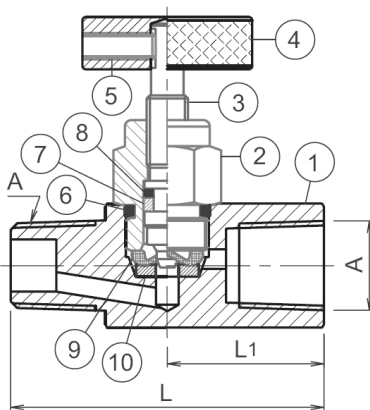
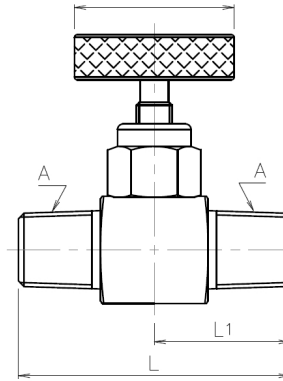
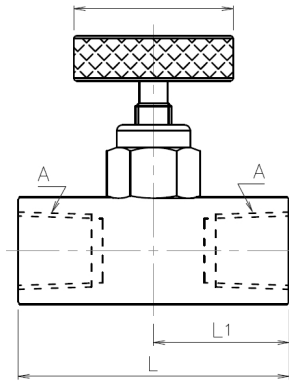
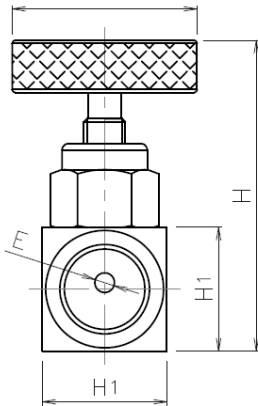
## SPECIFICATIONS

<b>Series Number</b>	"NVS"
<b>Material</b>	Carbon steel See chart below for component materials
<b>Pressure Rating</b>	Soft seat - 6000 psi at 200° F
<b>Connection Size</b>	¼" NPT, male x female, female x female male x male
<b>Handle</b>	Round "thumb wheel"
<b>Seat Material</b>	Soft Seat - POM
<b>Box Quantity</b>	80 pieces
<b>Est. Unit Weight</b>	0.30 lb/0.16 kg



Part Number	Unit	A	L	L1	H	H1	E	Thumb Wheel
NVS-CS-1/4-GS-180-MXF	In.	¼"	1.85"	0.93"	1.97"	0.75"	0.13"	1.02"
	mm	NPT	47	23.5	50	19	3.3	26
NVS-CS-1/4-GS-180-FXF	In.	¼"	1.85"	0.93"	1.97"	0.75"	0.13"	1.02"
	mm	NPT	47	23.5	50	19	3.3	26
NVS-CS-1/4-GS-180-MXM	In.	¼"	1.85"	0.93"	1.97"	0.75"	0.13"	1.02"
	mm	NPT	47	23.5	50	19	3.3	26

All dimensions shown in the catalog are approximate and subject to change.



Number	Description	Carbon Steel Valve
1	Body	C.S.
2	Bonnet	C.S.
3	Stem	304 SS
4	Handle	C.S.
5	Fixing Screw	C.S.
6	O-Ring	Viton®
7	O-Ring	Viton®
8	Back-up Ring	PTFE
9	Washer	316 SS
10	Soft Seat	POM

## AVAILABLE OPTIONS\*

- High Temperature
- T-handle
- Hard Seat
- 316 SS Material
- Angle Valve (90°)
- Tube End Connection
- Alternate Connection Sizes

\*Lead times/minimums may apply