

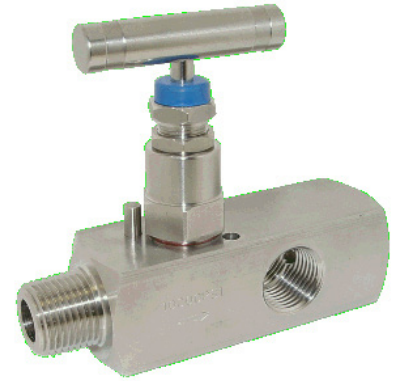
# GV MULTI-PORT GAUGE VALVE



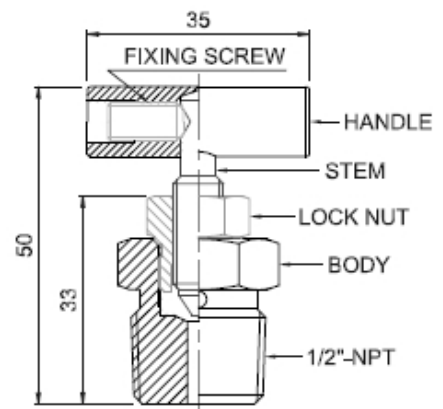
**Strong and durable, instrument grade multi-port gauge valve**  
**Pressures up to 6,000 psi soft seat, 10,000 psi hard seat**

## SPECIFICATIONS

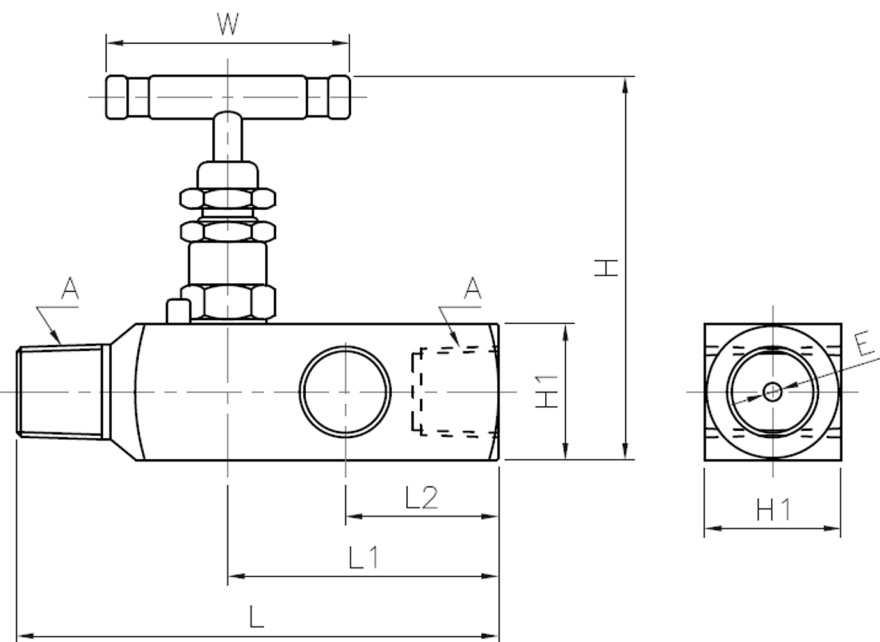
|                         |  |
|-------------------------|--|
| <b>Series Number</b>    | "GV"   |
| <b>Material</b>         | 316 Stainless steel body   |
| <b>Pressure Rating</b>  | 6000 psi soft seat<br>10,000 psi hard seat   |
| <b>Connection Size</b>  | 1/2" NPT male inlet x (3) 1/2" NPT female outlet<br>3/4" NPT male inlet x (3) 1/2" NPT female outlet |
| <b>Handle</b>           | Tee  |
| <b>Seat Material</b>    | Soft Seat - POM<br>Hard Seat - Integrated  |
| <b>Box Quantity</b>     | 12   |
| <b>Est. Unit Weight</b> | 1.80 lb/0.80 kg  |



## OPTIONAL BLEED VALVE ACCESSORY



P/N: BLEED VALVE



| Part Number         | Unit | A       | L     | L1    | L2    | H     | H1    | E     | W     |
|---------------------|------|---------|-------|-------|-------|-------|-------|-------|-------|
| GV-SS-1/2-HS-3W-MXF | In.  | 1/2"    | 4.45" | 2.50" | 1.42" | 3.86" | 1.26" | 0.24" | 2.24" |
| GV-SS-3/4-HS-3W-MXF | mm   | or 3/4" | 113   | 63.5  | 36    | 98    | 32    | 6     | 57    |
| GV-SS-1/2-GS-3W-MXF | In.  | 1/2"    | 4.45" | 2.50" | 1.42" | 3.86" | 1.26" | 0.19" | 2.24" |
| GV-SS-3/4-GS-3W-MXF | mm   | or 3/4" | 113   | 63.5  | 36    | 98    | 32    | 4.8   | 57    |

## AVAILABLE OPTIONS\*

- High Temperature
- Bleed Valve
- Hex Plug
- Tube End Connection
- Alternate Connection Sizes
- Carbon Steel Material

All dimensions shown in the catalog are approximate and subject to change.

\*Lead times/minimums may apply