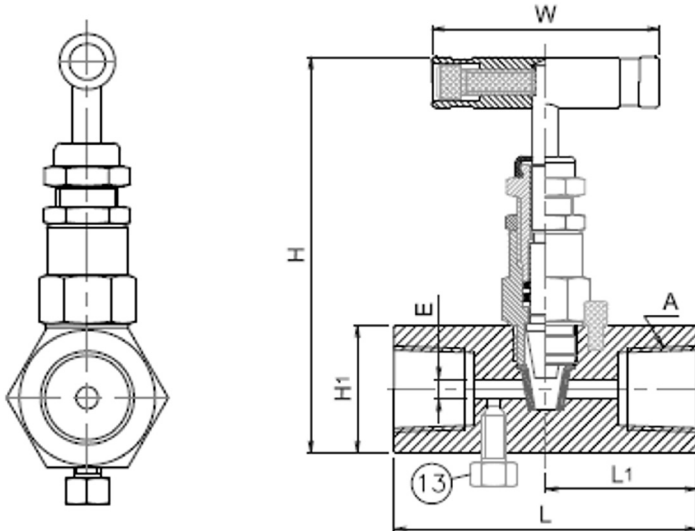


# BV BLOCK & BLEED VALVE

Strong and durable, instrument grade hex body needle valve with bleed screw  
 Pressures up to 6,000 psi soft seat, 10,000 psi hard seat

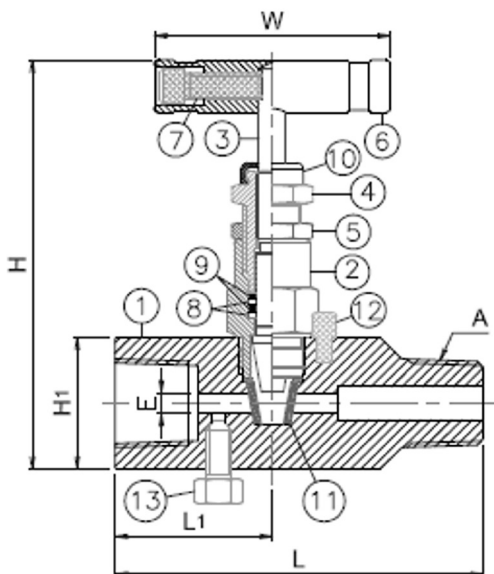
## SPECIFICATIONS

<b>Series Number</b>	"BV"
<b>Material</b>	316 Stainless steel body
<b>Pressure Rating</b>	6000 psi soft seat 10,000 psi hard seat
<b>Connection Size</b>	¼" NPT or ½" NPT male x female
<b>Handle</b>	Tee
<b>Seat Material</b>	Soft Seat - POM Hard Seat - Integrated
<b>Box Quantity</b>	15
<b>Est. Unit Weight</b>	1.25 lb/0.56 kg



Part Number	Unit	A	L	L1	H
BV-SS-1/2-HS-180-MXF	In.	1/4" or 1/2"	3.23"	1.38"	1.50"
BV-SS-1/4-HS-180-MXF	mm				
BV-SS-1/2-GS-180-MXF	mm	82	35	98	
BV-SS-1/4-GS-180-MXF	mm				
Part Number (Cont'd)	Unit	H1	E	W	
BV-SS-1/2-HS-180-MXF	In.	1.26"	0.18"	2.24"	
BV-SS-1/4-HS-180-MXF	mm	32	4.8	57	
BV-SS-1/2-GS-180-MXF	mm				
BV-SS-1/4-GS-180-MXF	mm				
Part Number	Unit	A	L	L1	H
BV-SS-1/2-HS-180-FXF	In.	1/4" or 1/2"	2.95"	1.47"	1.50"
BV-SS-1/4-HS-180-FXF	mm				
BV-SS-1/2-GS-180-FXF	mm	75	37.5	98	
BV-SS-1/4-GS-180-FXF	mm				
Part Number (Cont'd)	Unit	H1	E	W	
BV-SS-1/2-HS-180-FXF	In.	1.26"	0.18"	2.24"	
BV-SS-1/4-HS-180-FXF	mm	32	4.8	57	

7



Number	Description	316SS Valve
1	Body	S316
2	Bonnet	S316
3	Stem	S316
4	Adjuster	S316
5	Lock Nut	S316
6	Handle	S303
7	Fixing Screw	S302
8	Stem Seal	PTFE
9	Stem Seal	Viton®
10	Dust Cap	NBR
11	Soft Seat	POM
12	Locking Pin	S303
13	Bleeding Screw	S316

All dimensions shown in the catalog are approximate and subject to change.

### AVAILABLE OPTIONS\*

- High Temperature
- Tube End Connection
- Alternate Connection Sizes
- Carbon Steel Material
- Female x Female Connection

\*Lead times/minimums may apply