

Model SDT-Ex

Dewpoint Transmitter

Instruction Manual

Issue 1.1





MOISTURE METERS

EU Declaration of Conformity

We Shaw Moisture Meters
Of Len Shaw Building, Bolton Lane, Bradford,
England BD2 1AF

Declare That:
Model Name: SDT-Ex Intrinsically Safe 4-20mA Dewpoint Transmitter
Ex II 1GD
Ex ia IIC T4 Ga (-20°C≤Ta≤+60°C)
Ex ia IIIC T₂₀₀135°C Da (-20°C≤Ta≤+60°C)

Description: The SDT-Ex is an Intrinsically Safe 3 wire 4-20 Ma loop powered transmitter

Conforms to the following Directives:
ATEX Directive 2014/34/EU, EMC Directive 89/336/EEC.

And has been designed and manufactured to the following standards:
EN IEC 60079-0:2018 EN 60079-11:2012

I hereby declare that the aforementioned equipment has been designed to comply with the relevant sections of the above referenced specifications.

25TH SEPTEMBER 2018

Andrew Coulton
Calibration & Quality Manager

<u>Part Ref</u>	<u>Full Title</u>
SDT Ex	SDT-Ex Intrinsically Safe 4-20mA Dewpoint Transmitter Dewpoint Transmitter

Atex Cert No	Baseefa07ATEX0235
IECEx Cert No	IECEx BAS07.0081

Notified body for ATEX: SGS Baseefa Ltd, Rockhead Business Park, Staden Lane, Buxton, Derbyshire SK17 9RZ. Notified body No: 1180

Contents

1.0	Unpacking your Shaw Moisture Meters Model SDT-Ex	4
1.1	General Description	5
2.0	Gas Compatibilities	6
2.1	Installing the SDT-Ex in an Air/Gas Sampling System	7
2.2	Piping Installation Schematic	8
2.3	Piping Schematic Component Index	9
2.4	Installing and Commissioning the Model SDT-Ex Transmitter ...	10
2.5	Wiring the SDT-Ex	10
2.6	Connector Pins	11
3.0	Normal Operation	11
3.1	Analogue 4 - 20 mA Mode (3 Wire)	11
4.0	AutoCal	11
4.1	Pre-conditioning the Transmitter	12
4.2	Adjust the AutoCal	13
4.3	Completing the AutoCal	13
4.4	Faults/Errors	13
5.0	SDT-Ex Specification	14
6.0	Guarantee	15
7.0	Basic Definitions	16
8.0	Hygrometric Equivalents	17
9.0	Appendix	18
9.1	Appendix A - SDT-Ex and PR5104BB2A Signal Isolator Connection	18
9.2	Appendix B - PR5104BB2A to SDT-Ex Connections	19
9.3	Appendix C - SDT-Ex with Connector, General Arrangement	20
9.4	Appendix D - Transmitter Holder General Arrangement	21

1.0 Unpacking your Shaw Moisture Meters Model SDT-Ex

Please examine the SDT-Ex package for any damage or mishandling. If any damage is evident please notify the carrier and the Shaw Moisture Meters representative from where this unit was purchased.

You should have received (if ordered):

- 1 SDT-Ex 4 - 20 mA dewpoint transmitter
- 1 connecting cable (of the length specified on your order) or two metres as standard
- 1 SDT special sensor holder
- 1 instruction manual
- 1 pressure dewpoint circular calculator

If anything is missing please contact your distributor immediately.

1.1 General Description

The Shaw Moisture Meters Model SDT-Ex is a 3 wire 4 - 20 mA loop powered transmitter, used for continuous measurement of moisture in a process gas or compressed air. The Model SDT-Ex transmitter can be factory configured to output a 4 - 20 mA linear signal for any of the following moisture units: - °C or °F dewpoint, ppm(v), ppb(v), g/m³ and lb/MMSCF.

The ultra high capacitance SHAW sensing element is long lasting and offers excellent sensitivity, repeatability and response speed. Each unit is calibrated, traceable to International Humidity Standards and is supplied with a Certificate of Calibration guaranteeing accuracy to ± 2 °C dewpoint.

The transmitter also incorporates an Automatic Calibration (AutoCal) feature, which allows the user to carry out field calibration/span check. The AutoCal feature is operated by means of a small potentiometer built into the transmitter body. To avoid accidental corruption, the potentiometer is covered by a weatherproof seal in normal use.

The RISC microprocessor circuitry of the Model SDT-Ex transmitter allows high resolution with advanced self-diagnostics for fault conditions. It also enables periodic re-calibration of the moisture sensor, storing calibration data within the fully self-contained unit. Loop powered by a 7 V to 28 V DC source. The Model SDT-Ex transmitter will provide the user with a linear 4 - 20 mA signal over the chosen range.

The mechanics of the Model SDT-Ex transmitter have been designed to cope with extreme environmental conditions. The rugged stainless steel construction and anodised aluminium offers protection to IP66 (NEMA 4X) with the transmitter electrical connections made via secure industrial type connector (size C, DIN EN 175301).

The SDT-Ex transmitter can withstand 35,000 kPa (350 bar) maximum pressure and by employing low resistance cable, the transmitter can be located at significant distances, in excess of 1,000 metres from the data collection point.

Designed with the operator in mind, for reliable and accurate measurements, the Model SDT-Ex is extremely easy to install and operate, requiring little or no maintenance.

2.0 Gas Compatibilities

The Model SDT-Ex sensing elements are Al_2O_3 and therefore suitable for many different industrial and research applications. Most gases can be checked for their moisture content with no need for the calibration to be altered when changing between different gases, as the sensor operates only with reference to the water vapour content.

However, some gases must be avoided as they are not compatible with the material used in construction of the sensor. Ammonia (NH_3) and Chlorine (Cl_2) must be avoided at all times, even in small quantities. Hydrogen Chloride (HCl) also attacks the sensors very quickly. Some less aggressive acidic gases, such as Sulphur Dioxide (SO_2), can be monitored as long as the moisture content is low, generally less than 100 ppm(v). If in doubt, please ask your supplier.

Sulfur hexafluoride (SF_6) has no effect on the sensor. If the gas has been exposed to arcing however, it is possible that various acidic species will have formed that will corrode the sensor. Therefore, when testing SF_6 that may have been arced, an acidity test should be carried out first, if the gas proves to be acidic then the moisture test should not be carried out.

It is strongly recommended that the sample should not contain particulate matter, oil or other heavy hydrocarbon condensate. If these components contaminate the sample system and/or the measuring sensor, the system response time will be lengthened, although the sensor calibration will not be effected.

2.1 Installing the SDT-Ex in an Air/Gas Sampling System

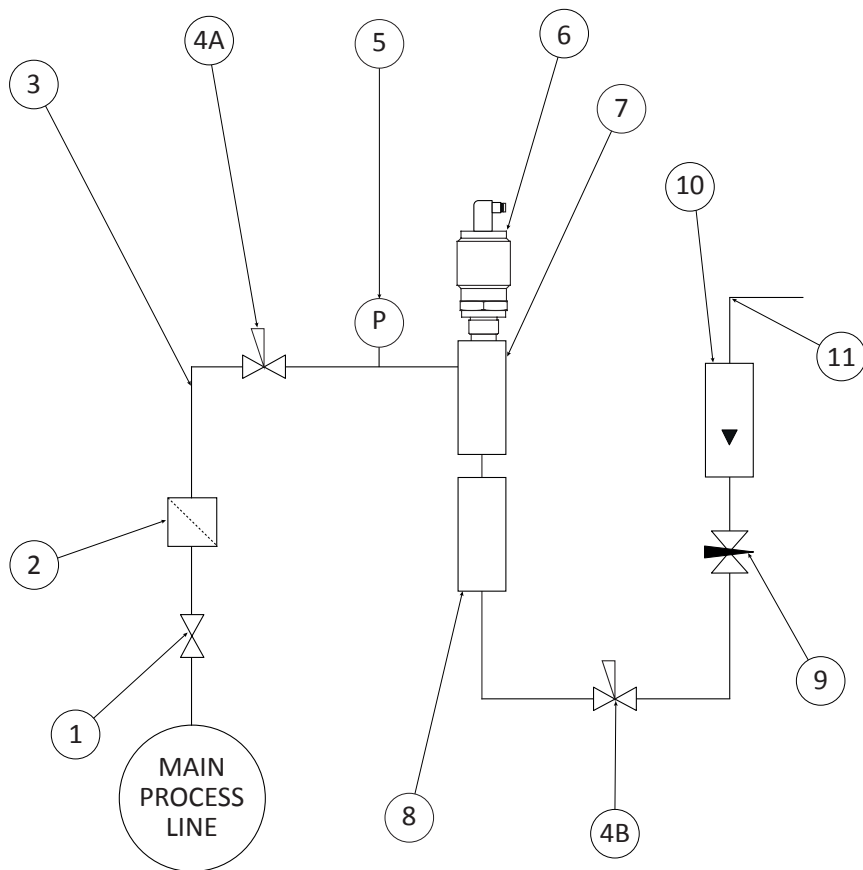
The piping installation schematic diagram shows all components which could be used in a gas measurement application although not all items shown will be required for every installation.

The flow rate, although not critical, should be low enough to avoid abrasion to the sensor surface without being so low as to extend the system response time to an unacceptable level. In general, a flow rate of between two and three litres/min at normal temperature and pressure will give the right balance.

The sensor is a variable capacitor, which is directly affected by changes in partial pressure of water vapour. These changes are proportional to the dew point/frost point temperature.

The measuring transmitter can be installed directly into the process line but this does create problems with access for maintenance and calibration. It is for these reasons that we recommend that the transmitter be installed in a bypass, fast loop or total loss sample system where the transmitter is accessible without interrupting the main process flow line.

2.2 Piping Installation Schematic



Notes

- The sample pipe should be on the upper surface of the horizontal pipe or on a vertical section of pipe wherever possible.
- The sample tube should run continually upwards from the sample point. If this is not possible then an inspection port or drain tap should be installed at the lowest point in the system.

2.3 Piping Schematic Component Index

1. **Sample Isolation Valve** - This is a recommended item as it allows access to the sample system without interrupting the main process line.
2. **Filter Unit** - A filter unit is recommended when the samples are likely to contain particulate matter. If the air/gas sample contains heavy hydrocarbon condensate, the filter must be of the coalescing type with a drain. The filter unit should be positioned as close to the sample point as practical.
3. **Sample Tube** - This should be stainless steel for dry air or gas applications but copper or carbon steel can be used where wetter gases are to be measured. If any section of the sample tube must be flexible then PTFE should be used. In most cases, 3 mm OD ($\frac{1}{8}$ ") is sufficient as it provides good system response time within minimum flow. 6 mm OD ($\frac{1}{4}$ ") tube can be used where pressure drops across the 3 mm tube are too high.
4. **Pressure Reduction Valve or Pressure Regulator** - If the sample is to be measured at atmospheric pressure then the valve 4A should be fitted and 4B omitted from the system. If the sample is to be measured at full line pressure and the exhaust vented to atmosphere then valve 4B should be fitted and 4A omitted from the system. If measurements are to be taken at full line pressure and the sample is to be returned to a part of the main line or a vent, which is at a pressure higher than atmospheric and the input to that line needs a controlled pressure then both 4A and 4B will be required.
5. **Sample Pressure Gauge** - This is not a critical part of the moisture measurement but may be required if dew point/frost point measurements are to be made at higher than atmospheric pressure.
6. **Transmitter Holder** - see *Appendix B - Transmitter Holder General Arrangement*
7. **Measuring Transmitter** - see *Appendix A - SDT with Connector, General Arrangement*
8. **Desiccant Chamber** - This item is required when the sampling is to be intermittent. When installed it prevents the ingress of wet air to the sample system, while the sample is not flowing, improving the response time.
9. **Flow Control Valve** - This can be a separate item or combined with the flow indicator.
10. **Flow Indicator** - The recommended sample flow is two to three litres/ min.
11. **Sample Exhaust** - The exhaust can be vented to atmosphere or returned to the process line as discussed above.

2.4 Installing and Commissioning the Model SDT-Ex Transmitter

It is advisable to carry out an initial purge routine of the sample loop before installing the transmitter in order to remove the possibility of sensor damage on start-up.

Refer to the sample schematic in section 2.2. Open the inlet isolation valve slowly, until a small flow of air/gas at atmospheric pressure flows through the inlet pipe work to the transmitter holder and exhausts through the sensor entry port of the transmitter holder.

Allow this purge to continue for approximately 15 - 20 minutes to remove any residual moisture from the sample pipe work and components.

Close the inlet isolation valve and install the transmitter into the transmitter holder. Locate and secure the four-pin transmitter cable connector positioned on the transmitter. Use the locking screw in order to affect a weatherproof seal.

NOTE: The plug and socket will only locate in one position as the GND pin is different to the other three pins.

Open the inlet valve slowly again and by opening all valves after the transmitter holder, allow a low pressure purge through the whole sample system.

Set the required pressures and flows within the sample loop.

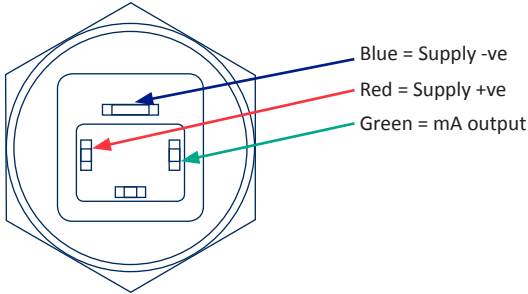
This completes the installation and commissioning but on initial start up it could take several hours for the system to reach equilibrium.

2.5 Wiring the SDT-Ex

The SDT-Ex is a 3 wire 4 - 20 mA transmitter.

For typical electrical connection please see *Appendix A* and *B*.

2.6 Connector Pins



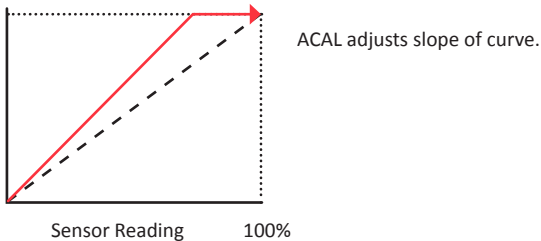
3.0 Normal Operation

3.1 Analogue 4 - 20 mA Mode (3 Wire)

In normal operation, the transmitter will produce a 4 - 20 mA signal, which is proportional to the level of moisture in the gas being monitored. The moisture reading is sampled and updated once per second. The SDT-Ex has 3,020 distinct steps over the 4 - 20 mA range corresponding to a resolution of 0.005 mA.

4.0 AutoCal

AutoCal allows the user to ensure accuracy to the laboratory calibration by checking the span of the transmitter and correcting for any deviation. It should be operated periodically, every two to three months or can be used to verify operation of the SDT-Ex Transmitter if confirmation of an unexpected result is required.



There are two methods of setting the AutoCal.

1. Saturate the transmitter
(Only applicable to °C and °F SDT-Ex Transmitters)

If the sensor element is exposed to a dewpoint level above the range of the transmitter, the sensor will saturate and the transmitter output can be set as +20 °C.

The easiest way to achieve this is to wrap ones hand around the sintered stainless steel guard that protects the sensing element.

Note: This is only recommended for transmitters used in non-toxic, non-poisonous, clean gases. Local Health and Safety Procedures should be followed at all times.

2. Expose to a known moisture level (Applicable to all versions of SDT-Ex Transmitters)

If a known gas is available or the ambient dewpoint is known, then the AutoCal can be set to the known value rather than the saturating value.

The SDT-Ex is supplied with an adjustable potentiometer to perform AutoCal, which allows the calibration span of the transmitter to be adjusted. This potentiometer is located under the weatherproof guard and can be accessed by undoing the large silver coloured screw on the side of the transmitter body. The AutoCal is adjusted by turning the potentiometer with the small screwdriver supplied.

The following steps describe the process of setting the AutoCal, describing the two different methods where different.

Note: The SDT-Ex must be connected to its normal indicator so that readings can be taken or where no indicator is employed, an accurate measurement of the mA output must be taken.

4.1 Pre-conditioning the Transmitter

To perform the AutoCal, the transmitter needs to be removed from the process gas ready to be saturated in the hand or inserted into a known gas flow. At this stage, the display/indicator will read the ambient dewpoint as measured by the SDT-Ex.

Saturating the transmitter method. (Only applicable to °C and °F SDT-Ex Transmitters)

Saturate the transmitter by lightly covering the sintered aluminium area with a

hand for approximately one minute.

Expose to a known moisture level. (Applicable to all versions of SDT-Ex Transmitters)

Expose the transmitter to the known AutoCal moisture level and allow the transmitter to attain equilibrium. (For technical questions and advice on the time taken to attain equilibrium, contact your SDT-Ex supplier.)

4.2 Adjust the AutoCal

Once the transmitter has been pre-conditioned the potentiometer can be adjusted. **ONLY ADJUST THE POTENTIOMETER IF THE SENSOR IS PROPERLY PRE-CONDITIONED. FAILURE TO COMPLY WILL CORRUPT THE TRANSMITTER'S CALIBRATION.**

In the case of a transmitter saturated in the hand, the display should read +20 °C (or 20 mA if reading current).

Note: Always dry the output level down below 20 °C before wetting back up to exactly 20 °C.

If a known dewpoint is applied, then this value should be displayed.

4.3 Completing the AutoCal

Once the desired value is reached and the AutoCal process is completed, the screwdriver should be removed from the potentiometer and the weatherproof guard should be replaced and fastened using the large silver coloured screw. If using the saturated transmitter method, the transmitter can be put down on a work bench.

The SDT-Ex will now output the corrected dewpoint and can be reinserted into the process.

4.4 Faults/Errors

- If the sensor is short-circuited, the transmitter will produce a constant 20.75 mA output.
- If the sensor is open-circuited, the transmitter will produce a constant 20.50 mA output.

5.0 SDT-Ex Specification

Display:	Compatible with the 4 - 20 mA loop powered indicator
Output Signal:	4 - 20 mA Linear
Operating Voltage:	7 V - 28 V DC reverse polarity protected
Maximum Series Resistance:	= {40 x (Supply Voltage - 7)} Ω
Sensing Element:	Ultra high capacitance - aluminium oxide type
AutoCal:	Field calibration/span check facility
Factory Calibration:	Supplied with Certificate of Calibration traceable to the National Physical Laboratory (NPL)
Accuracy:	$\pm 2^{\circ}\text{C}$ ($\pm 3.6^{\circ}\text{F}$) dewpoint, NPL traceable -90°C to $+20^{\circ}\text{C}$ (-130°F to $+68^{\circ}\text{F}$)
Type:	Intrinsically safe to ATEX: Ex II 1 GD Ex ia IIC T4 Ga ($-20^{\circ}\text{C} \leq \text{Ta} \leq +60^{\circ}\text{C}$) and IECEX: Ex ia IIIC T ₂₀₀ 135 $^{\circ}\text{C}$ Da ($-20^{\circ}\text{C} \leq \text{Ta} \leq +60^{\circ}\text{C}$)
Temperature Compensation:	Temperature compensated for operating range
Resolution:	5 μA
Repeatability:	Better than $\pm 0.3^{\circ}\text{C}$ dewpoint
Operating Temperature:	-20°C to $+60^{\circ}\text{C}$
Storage Temperature:	-20°C to $+70^{\circ}\text{C}$
Operating Pressure:	From 1kPa (0.01 barA) to maximum 35,000kPa (350 barA)
Operating Humidity:	Maximum - 95% RH non-condensing
Sample Flow Rate:	Independent but ideally two to five litres/min. Max: 25 litres/min
Cable Terminations:	IP66 (NEMA 4X) rated, size C, DIN EN 175301 connector at the transmitter and other end terminated with bootlace ferrules
Cable:	Supplied with two metres standard cable. Nominal diameter 3.4 mm, 92 ohms/km
Electromagnetic Compatibility (EMC):	Immunity: Complies with EN 61000-6-1:2001 Emissions: Complies with EN 61000-6-3:2001
Warm Up Time:	10 seconds
Fault conditions:	Sensor open circuit: output drives to 20.50 mA Sensor short circuit: output drives to 20.75 mA
Isolation:	Sensing element connected to the 4 - 20 mA loop but isolated from body
Transmitter Enclosure:	316 stainless steel body with size C, DIN EN 175301 connector
Sensor Protection:	316 sintered stainless steel filter - 50 micron
Probe Material: (Wetted Parts)	316 stainless steel
Weatherproof Classification:	IP66/NEMA 4X when connector mated to transmitter
Mechanical Connection:	$\frac{3}{4}$ " UNF (16tpi) with integral Viton "O" ring seal
Mechanical Warranty:	24 months in case of faulty workmanship and defective parts
Calibration Warranty:	12 months subject to usage
Weight:	175 grams (includes connector)

6.0 Guarantee

All SHAW products are guaranteed for two years from the date of purchase, some exclusions are as follows:

- Removing protective guard from any sensor
- Subjecting sensor to shock or black list gases e.g. caustic and acidic gases like ammonia and chlorine
- Tampering with any internal electronics and applying incorrect supply voltage to meters
- Subjecting to excessive flow rate and contaminants
- General misuse

If you suspect a fault which you feel needs to be attended to under guarantee please contact us for assistance hopefully to help fault find and effect a remedy and if this is not successful to give precise instructions for the return for inspection.

No equipment will be replaced or repaired without having been returned for inspection either to ourselves or an authorised distributor.

7.0 Basic Definitions

Water Vapour Pressure

The pressure exerted by the water vapour contained in any mixture of gases. The total pressure exerted by the gas mixture is the sum of the pressures exerted by its components - including the water vapour. Water vapour pressure varies in direct proportion to the total gas.

Relative Humidity

The ratio of the actual water vapour pressure in the gas to the saturation water vapour pressure at the same temperature.

Dewpoint Temperature

The temperature to which the gas must be cooled in order that it should be saturated with water vapour (i.e. 100% relative humidity). For practical reasons it is referred to water above 0 °C (+32 °F) and ice below 0 °C (+32 °F). Dewpoint is expressed in degrees Celsius (°C) or degrees Fahrenheit (°F).

Parts Per Million by Volume

The ratio of the water vapour pressure to the total gas pressure, expressed as ppm(v) or vpm.

Parts Per Million by Weight

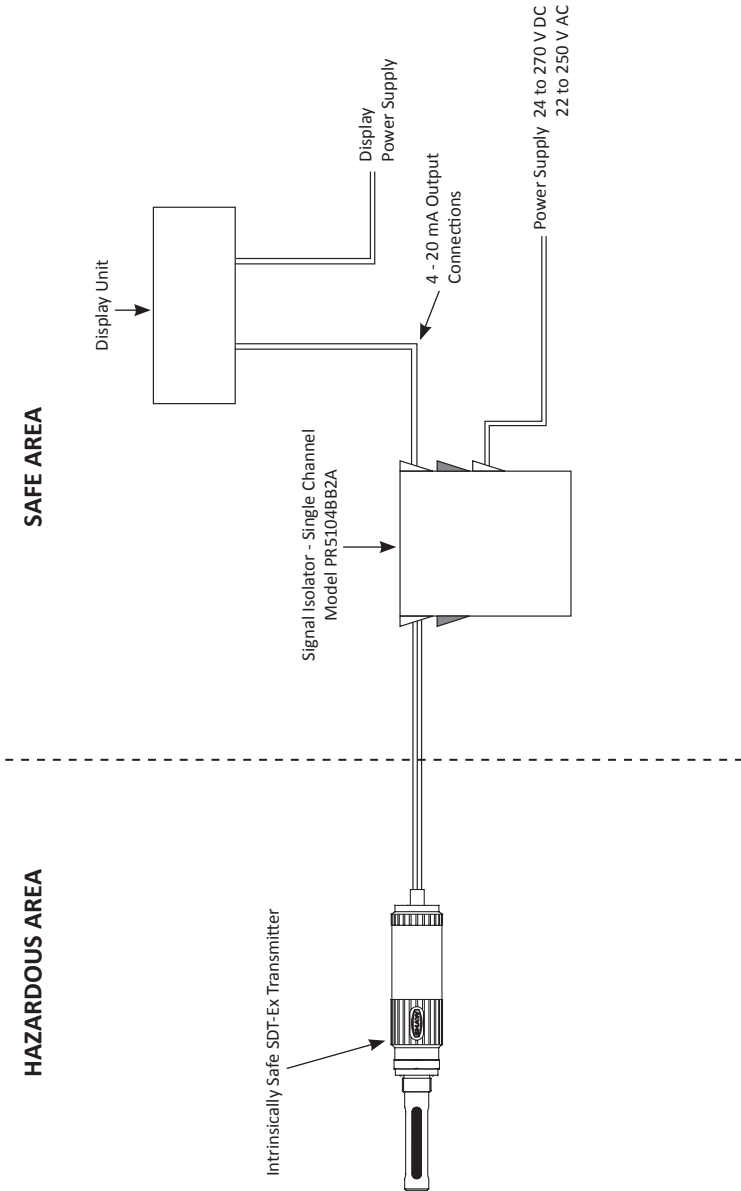
The figure is modified according to the ratio of the molecular weight of water vapour to the molecular weight of the carrier gas mixture, expressed as ppm(w).

8.0 Hygrometric Equivalents

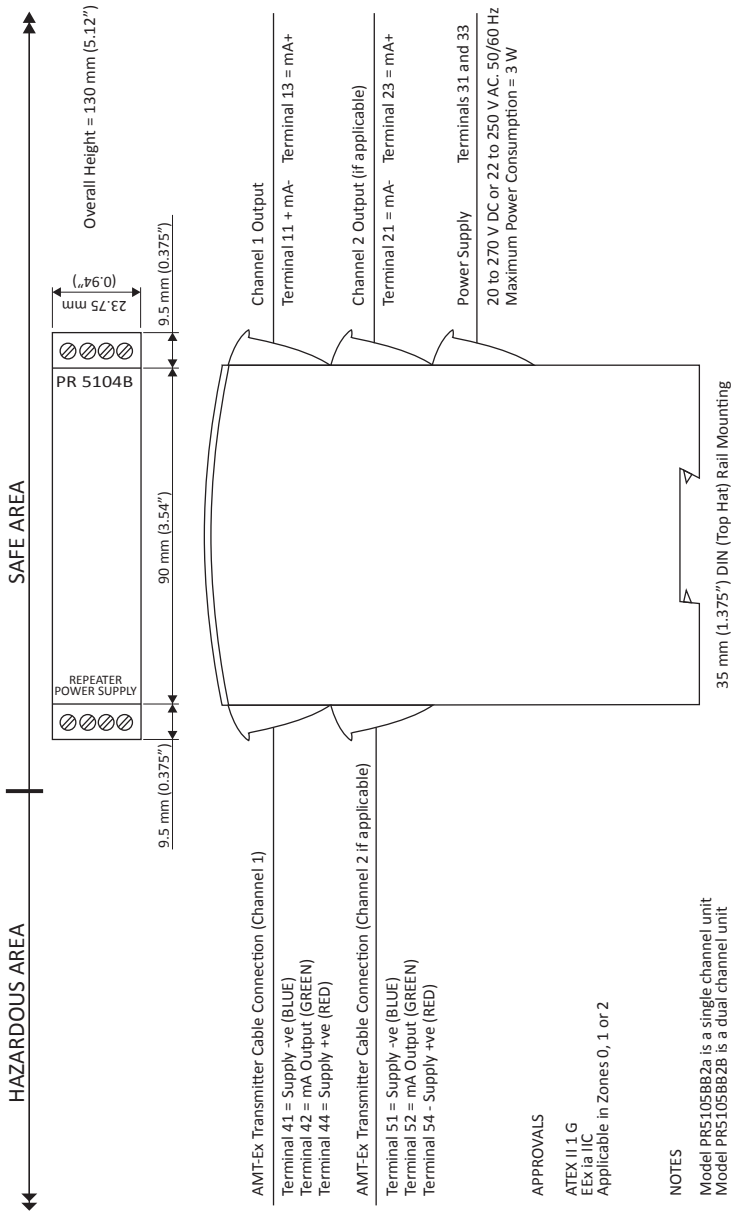
DEWPOINT ° C	DEWPOINT ° F	VAPOUR PRESSURE mmHG	PARTS PER MILLION by VOLUME	DEWPOINT ° C	DEWPOINT ° F	VAPOUR PRESSURE mmHG	PARTS PER MILLION by VOLUME
-150	-238	7 x 10 (-15)	9.2 x 10 (-12)	-52	-62	.02305	30.329
-140	-220	3 x 10 (-10)	3.9 x 10 (-7)	-50	-58	.02961	38.961
-130	-202	7 x 10 (-9)	9.2 x 10 (-6)	-48	-54	.03786	49.816
-120	-164	9 x 10 (-8)	1.2 x 10 (-4)	-46	-51	.04819	63.408
-118	-180	.00000015	.00020	-44	-47	.06108	80.368
-116	-177	.00000025	.00033	-42	-44	.07709	101.43
-114	-173	.00000041	.00054	-40	-40	.09691	127.51
-112	-170	.00000066	.00087	-38	-36	.12133	159.64
-110	-166	.00000107	.00141	-36	-33	.15133	199.12
-108	-162	.00000169	.00222	-34	-29	.1880	247.37
-106	-159	.00000266	.00350	-32	-26	.2328	306.32
-104	-155	.00000413	.00543	-30	-22	.2871	377.76
-102	-152	.00000636	.00837	-28	-18	.3529	464.34
-100	-148	.00000968	.0127	-26	-15	.4323	568.82
-98	-144	.00001459	.0192	-24	-11	.5277	694.34
-96	-141	.00002178	.0287	-22	-8	.6422	845.00
-94	-137	.00003224	.0424	-20	-4	.7790	1025.00
-92	-134	.00004729	.0622	-18	0	.9421	1239.61
-90	-130	.00006879	.0905	-16	+3	1.136	1494.74
-88	-126	.00009924	.1305	-14	+7	1.365	1796.05
-86	-123	.00014205	.1869	-12	+10	1.636	2152.63
-84	-119	.0002018	.2655	-10	+14	1.956	2573.68
-82	-116	.0002844	.3742	-8	+18	2.331	3067.11
-80	-112	.0003981	.5238	-6	+21	2.771	3646.05
-78	-108	.0005533	.7208	-4	+25	3.285	4322.37
-76	-105	.0007638	1.005	-2	+28	3.884	5110.53
-74	-101	.0010476	1.378	0	+32	4.581	6027.63
-72	-98	.0014275	1.878	+2	+36	5.292	6963.16
-70	-94	.001933	2.543	+4	+39	6.099	8025.00
-68	-90	.002603	3.425	+6	+43	7.012	9226.32
-66	-87	.003483	4.583	+8	+46	8.045	10585.53
-64	-83	.004635	6.099	+10	+50	9.209	12117.10
-62	-80	.006135	8.072	+12	+54	10.518	13839.47
-60	-76	.008076	10.626	+14	+57	11.988	15773.68
-58	-72	.010576	13.916	+16	+61	13.635	17940.79
-56	-69	.013780	18.132	+18	+64	15.478	20365.79
-54	-65	.01787	23.513	+20	+68	17.535	23072.37

9.0 Appendix

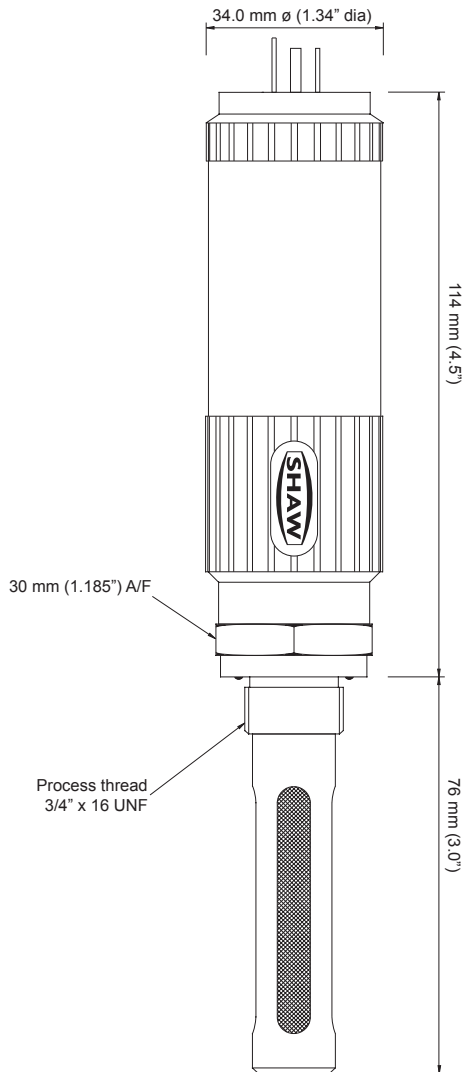
9.1 Appendix A - SDT-Ex and PR5104BB2A Signal Isolator Connection



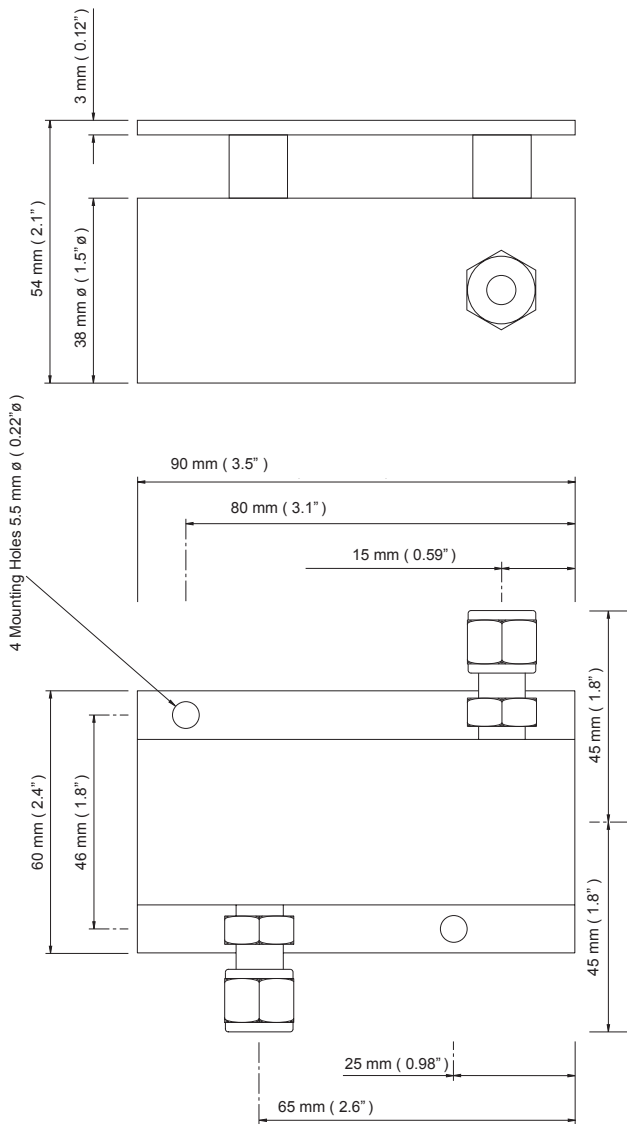
9.2 Appendix B - PR5104BB2A to SDT-Ex Connections



9.3 Appendix C - SDT-Ex with Connector, General Arrangement



9.4 Appendix D - Transmitter Holder General Arrangement



NOTE:
 The assembly is shown with 0.25" OD tube fittings.
 The dimension across the tube fittings will vary for all other size fittings.



MOISTURE METERS

Shaw Moisture Meters (UK) Ltd.

Len Shaw Building
Bolton Lane
Bradford BD2 1AF
England

t. +44 (0)1274 733582

f. +44 (0)1274 370151

e. mail@shawmeters.com

www.shawmeters.com

