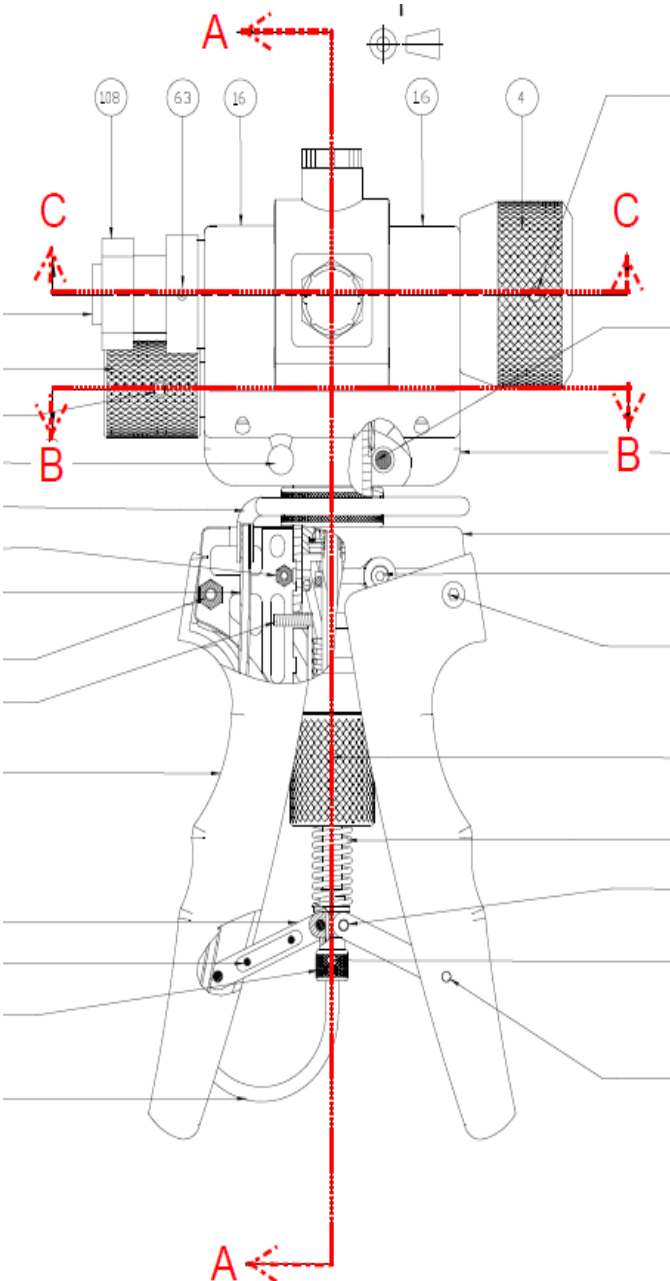


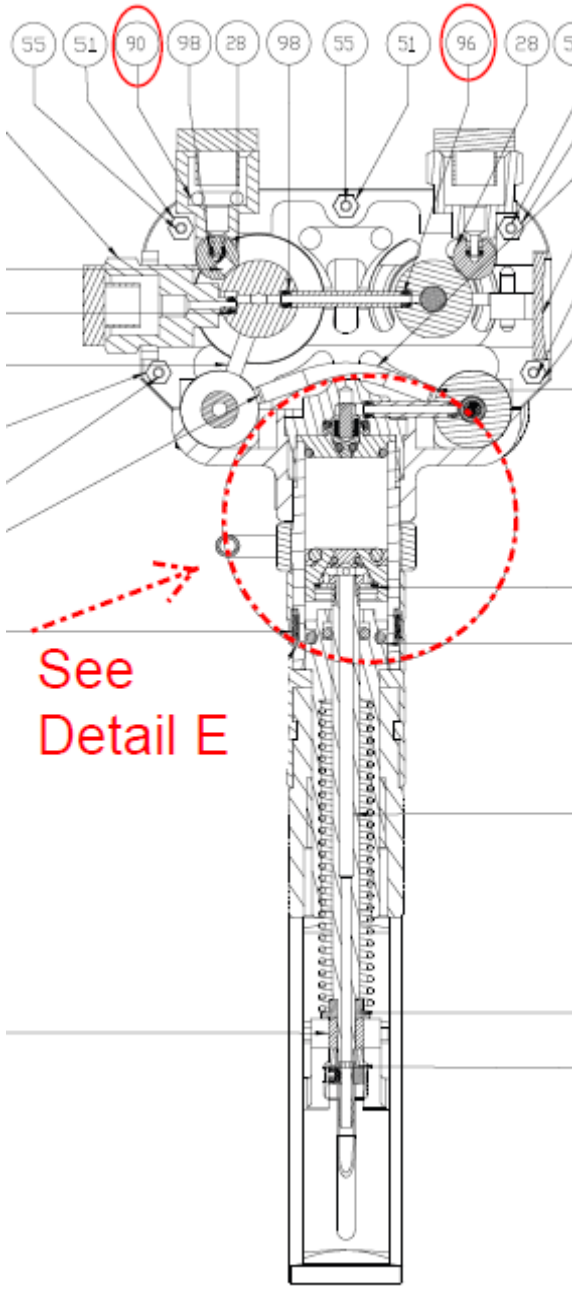
PV411 Seal Full Kit - PN PV411-133

Part Number	Description	Qty.	Item
1P-8065	Primary Piston	1	35
1P-8066	Primary Seal	1	36
1P-8128	O Ring - 13.1 x 2.62mm BS615 N	1	66
1P-8129	O Ring - 11 x 3mm NITRILE 70 S	1	67
1P-8133	O Ring - 6.75 x 1.78mm BS610 N	1	68
1P-8134	O Ring - 2.9 x 1.78mm BS006 NI	5	69
1P-8135	O Ring - 4.48 x 1.78mm BS008 N	1	70
1P-8136	O Ring - 1.78 x 1.78mm BS004 N	1	71
1P-8137	O Ring - 2 x 1mm NITRILE 70 SH	20	72
1P-8138	BACKUP RING SPIRAL PTFE REF. B	3	73
1P-8140	Ring - PTFE ANTI-EXTRU. 8.1x11	1	74
1P-8146	O Ring - 15 x 2mm NITRILE 70 S	1	80
1P-8152	SEAL BONDED 4BA 400-002-4490-4	3	81
1P-8156	O Ring - 3.6 x 1.9mm NITRILE	1	83
1P-8162	O Ring - 6.3 x 2.4mm NITRILE 7	1	89
1P-8163	O Ring - 6 x 3mm NITRILE 70 SH	1	90
1P-8183	Seal-Relief Valve	1	92
1P-8234	Backup - Connector	20	96
1P-101801	O Ring - 6.07 x 1.78mm BS010 N	1	111
1P-8130	O Ring - 3.68 x 1.78mm BS007 N	1	?

PV411 Seal Full Kit - PN PV411-133

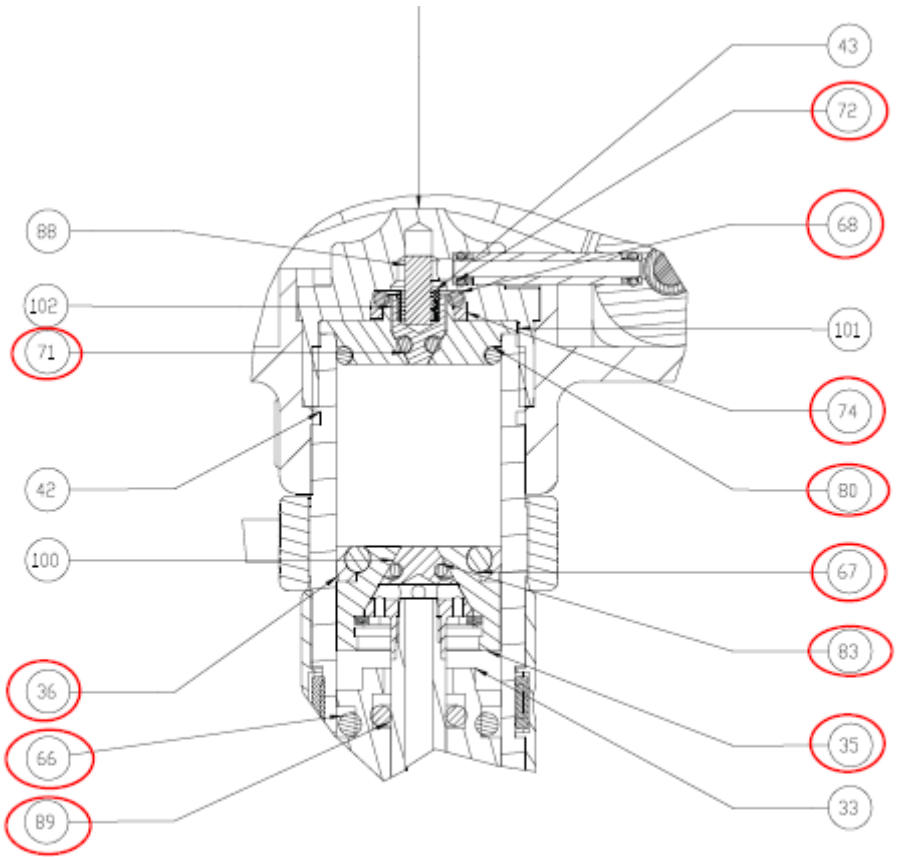


PV411 Seal Full Kit - PN PV411-133



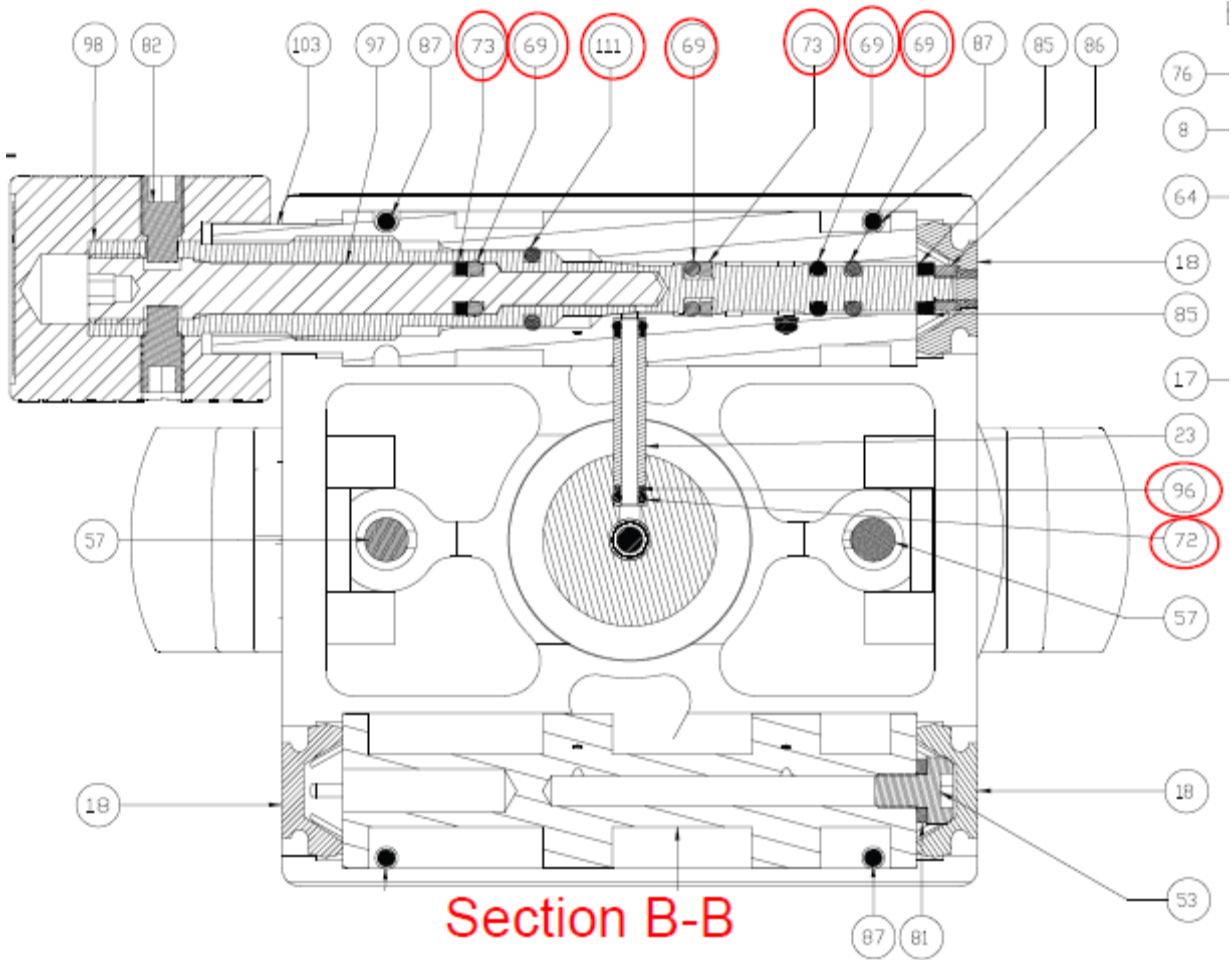
See
Detail E

Section A-A

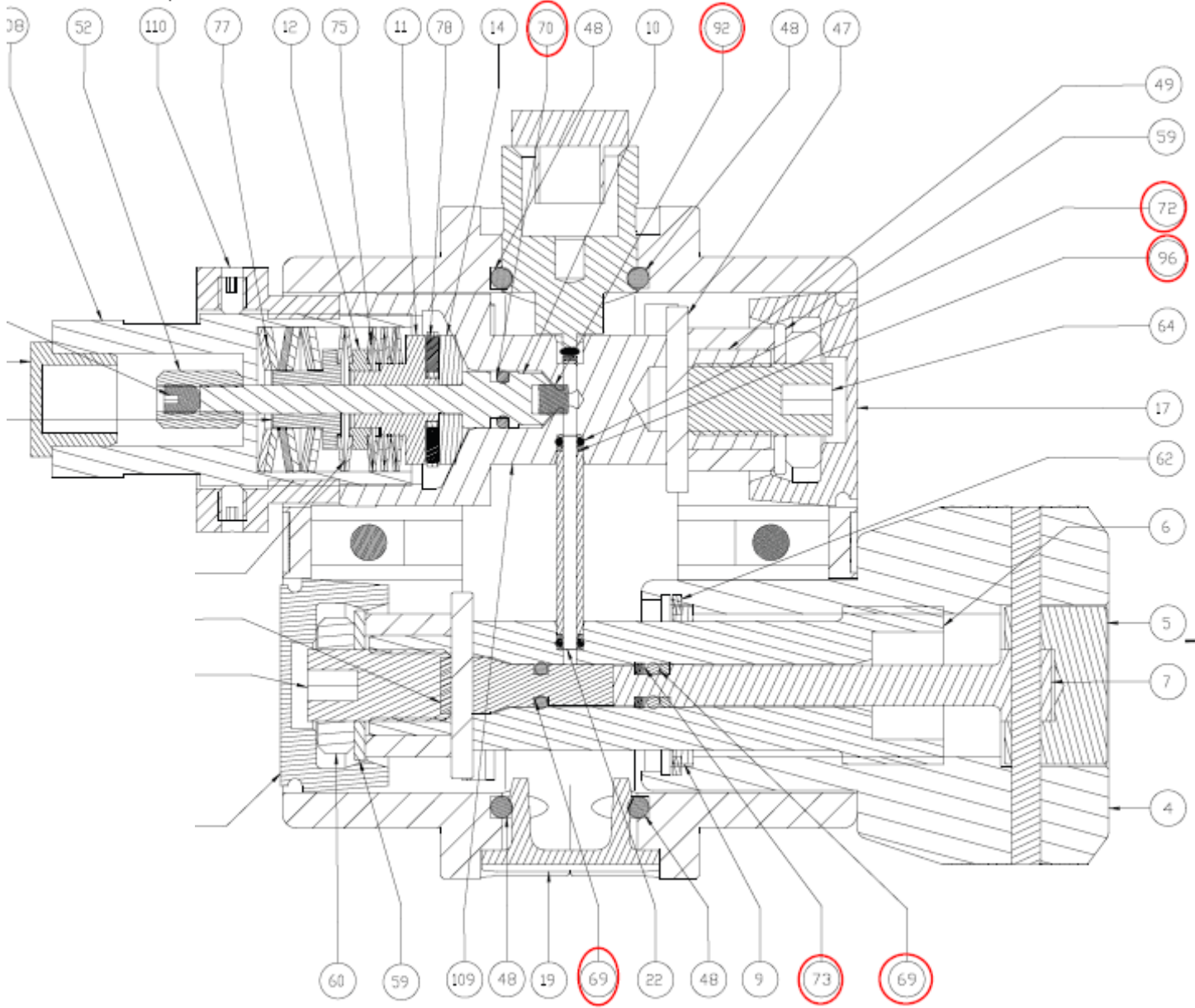


Detail E

PV411 Seal Full Kit - PN PV411-133



PV411 Seal Full Kit - PN PV411-133



Section C-C