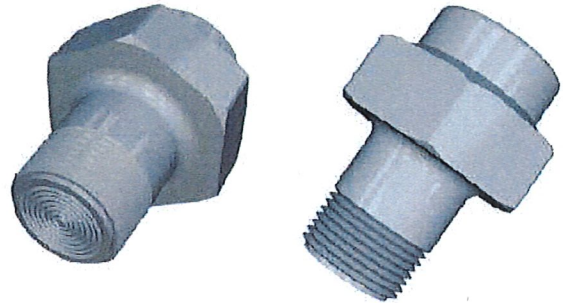


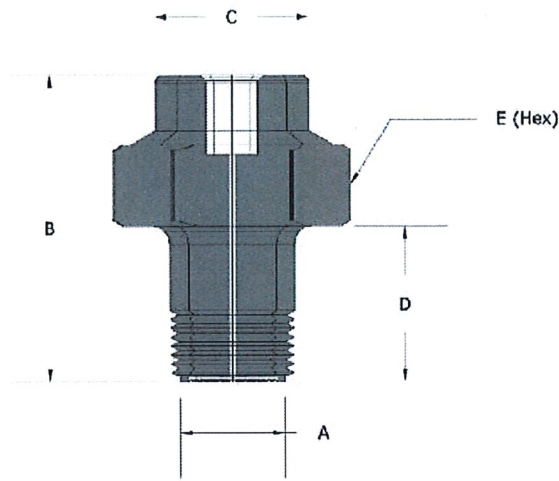
Applications & Features

- Male NPT threaded body with flush diaphragm at the end of threads
- Suitable for pressures up to 9000 PSI depending on size
- Sizes from 3/4" NPT to 2" NPT



Ordering Information

Base Model		
	HFT	Threaded Flush Diaphragm
Size		
	A	3/4" NPT Flush Male Connection 9000 PSI MWP 316SS
	B	1" NPT Flush Male Connection 9000 PSI MWP 316SS
	C	1-1/2" NPT Flush Male Connection 6000 PSI MWP 316SS
	D	2" NPT Flush Male Connection 4000 PSI MWP 316SS
Instrument Connection		
	W	Weld Connection (Not available with Titanium or Zirconium)
	2	1/4" NPT
	4	1/2" NPT
Body & Diaphragm Material		
	S6	316 / 316LSS
	S4	304 / 304LSS
	C2	Alloy 20
	HC	Alloy C-276
	HB	Alloy B-3
	M4	Monel 400
	I6	Alloy 600
	DP	Alloy 2205
	NI	Nickel 200
	TI	Titanium
	Z7	Zirconium 702
Options		
	/AU	Gold Plated diaphragm
	/NS	PTFE Coated Diaphragm (Non-Stick Only - Not for corrosion protection)
	/MC	Material cert with MTR's



HFT Dimensions

Size	"A" Diaph. Size	"B"	"C"	"D"	"E" Hex Size
¾" NPTM	0.88"	2.16"	1.30"	1.25"	1.75"
1" NPTM	1.16"	2.16"	1.30"	1.25"	1.75"
1.5" NPTM	1.75"	2.70"	1.30"	1.25"	2.50"
2" NPTM	2.08"	2.70"	1.30"	1.25"	2.50"