



HAYGOR INSTRUMENT  
& COMPANY, INC.

# Haygor Cooling Element-HCE

## General Specification:



### Application

- Designed to safeguard instruments in high temperature applications.
- For threaded pressure measuring instruments in high temperature applications exceeding the allowable media temperature range of the instrument.
- Ideal for off-shore process applications with salt water environment
- Can be used with corrosive media that is compatible to 316 SS

### Description

This new cooling tower is ideal in applications with high media temperature. This cooling adapter creates a temperature drop of (min) 200 °F (93C). **Results vary based on environmental conditions.**

Cooling elements are used when the medium temperature would exceed the permissible temperature limit of the pressure measuring instrument.

Through air circulation and heat radiation at the cooling element, the medium temperature is lowered sufficiently so that the temperature limits are not exceeded, and any possible temperature error is reduced.

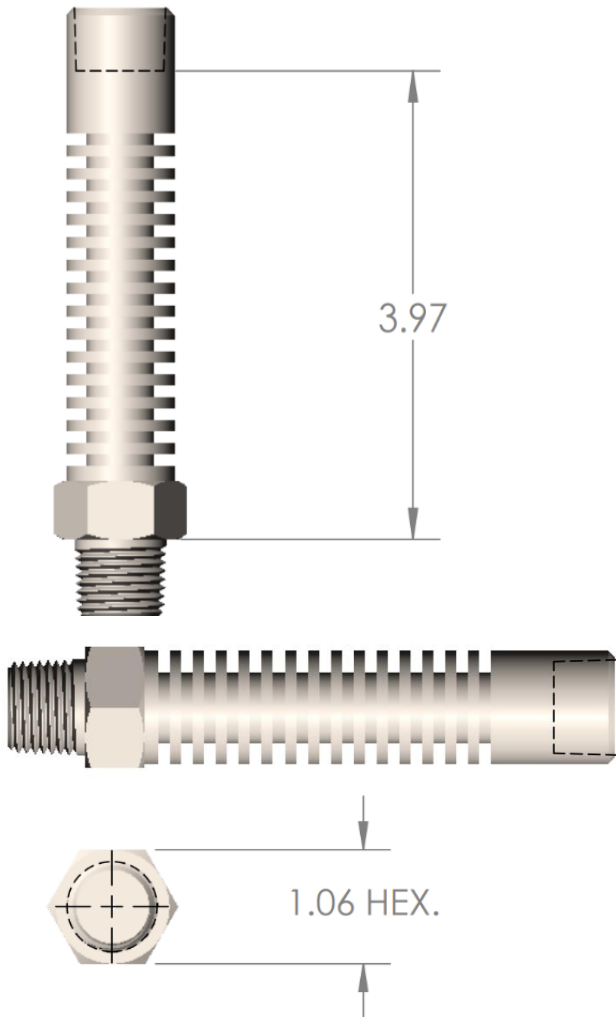
The cooling element can also be used for warming very cold media, provided that the ambient temperature is higher than that of the media.

### Product Features

- For medium temperatures up to 600 °F
- Can work with pressures up to 600 bar
- Connections for ¼" or ½" NPT, G ½ B (EN 837)
- Compact Design
- Made of 316SS



# Haygor Cooling Element-HCE



**Material**

- 316 SS

**Instrument Connection**

- Welded (8mm Standard for Diaphragm Seals)
- ¼" NPT Male
- ¼" NPT Female
- ½" NPT Male
- ½" NPT Female
- ½" NPT Welded Plug (For instrument with 1/2" NPTF Connection)

**Process Connection**

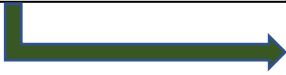
- Welded (8mm Standard for Diaphragm Seals)
- ¼" NPT Male
- ¼" NPT Female
- ½" NPT Male
- ½" NPT Female

**Temperature Rating**

- 200° F drop (min)

**Ordering Example:** HCE04.0S654

**Description:** Haygor Cooling Element with 4" inch, stainless steel extension, ½" NPTF instrument connection, and ½" NPTM process connection.



Base Model	Ordering Code	Description
	HCE-	Haygor Cooling Element
<b>Length</b>		
	04.0	<< Specify Length in Inches *Custom lengths available
<b>Material</b>		
	S6	316 SS
<b>Instrument Conn.</b>		
	1	Welded (8mm or Fitting as needed for Instrument type)
	2	1/4" NPTM
	3	1/4" NPTF
	4	1/2" NPTM
	5	1/2" NPTF
	C	1/2" NPT Weld Plug ( For Instrument with 1/2"NPTF connection)
<b>Process Conn.</b>		
	1	Welded 8 mm Standard for Diaphragm Seals
	2	1/4" NPTM
	3	1/4" NPTF
	4	1/2" NPTM
	5	1/2" NPTF

www.haygor.com

