

# Optional Case Styles

## 700 Series

All dimensions are nominal. Dimensions in [ ] are in millimeters.

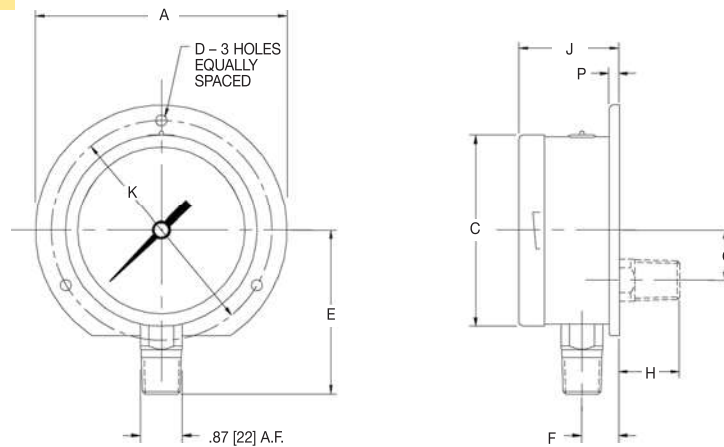
**How to Order:** Specify the Optional Case Code at the end of the Instrument Ordering Code.

**Sample Order Number:** 700SS 40 04 B D 300 - FMB

Case Style - 700 Series	DIAL SIZE		
	2 1/2"	4"	6"
Surface Mounted Case with Back Flange, Lower Connection	SML	SML	SML
Surface Mounted Case with Back Flange, Back Connection	SMB	SMB	SMB
Flush Mounted Case with Front Flange, Back Connection	FMB	FMB	FMB
Flush Mounted Case with Front Flange, Lower Connection	N/A	FML	FML
Panel Mounted Case with U-Clamp, Back Connection	UCB	UCB	UCB

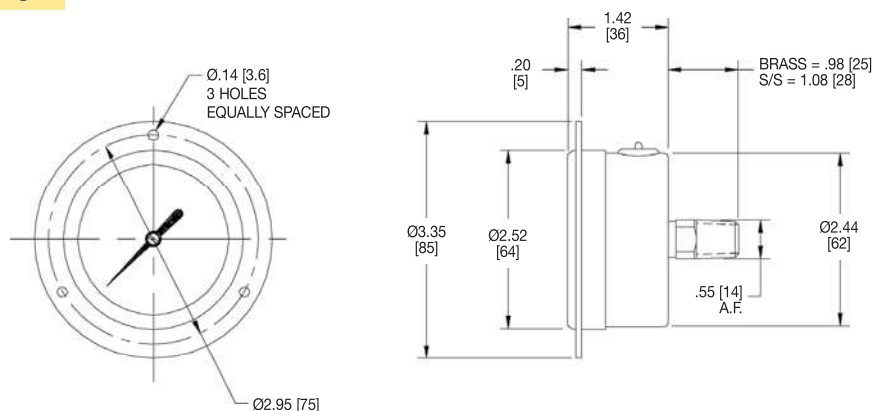
N/A = Not available. Please order using the code listed.

### 2 1/2", 4" & 6" Surface Mount



Dial Size	Material	A	C	D	E	F	G	H	J	K	P
2 1/2" [63]	Brass	3.35 [85]	2.52 [64]	0.14 [3.6]	2.22 [56.5]	0.57 [14.5]	0 [0]	0.98 [25]	1.56 [39.5]	2.95 [75]	0.22 [5.5]
	SS	3.35 [85]	2.52 [64]	0.14 [3.6]	2.22 [56.5]	0.57 [14.5]	0 [0]	0.98 [25]	1.56 [39.5]	2.95 [75]	0.22 [5.5]
4" [100]	Brass	5.20 [132]	3.98 [101]	0.19 [5]	3.39 [86]	0.75 [19]	1.04 [27]	1.32 [34]	2.07 [53]	4.57 [116]	0.22 [5.5]
	SS	5.20 [132]	3.98 [101]	0.19 [5]	3.39 [86]	0.75 [19]	1.36 [35]	1.26 [32]	2.07 [53]	4.57 [116]	0.22 [5.5]
6" [150]	Brass	7.72 [196]	6.34 [161]	0.23 [6]	4.57 [116]	0.81 [21]	1.04 [27]	1.32 [34]	2.09 [53]	7.01 [178]	0.24 [6]
	SS	7.72 [196]	6.34 [161]	0.23 [6]	4.57 [116]	0.81 [21]	1.36 [35]	1.26 [32]	2.09 [53]	7.01 [178]	0.24 [6]

### 2 1/2" Front Flange



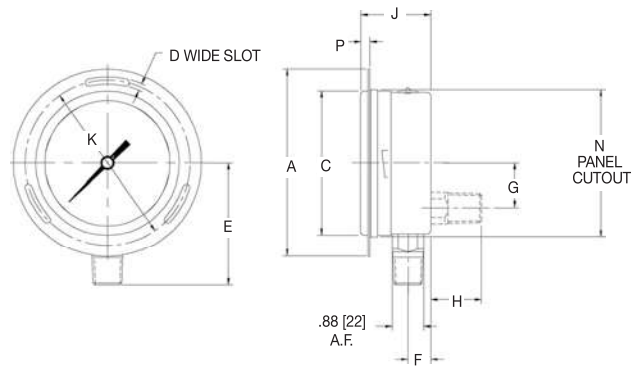
# Optional Case Styles

## 700 Series

All dimensions are nominal. Dimensions in [ ] are in millimeters.

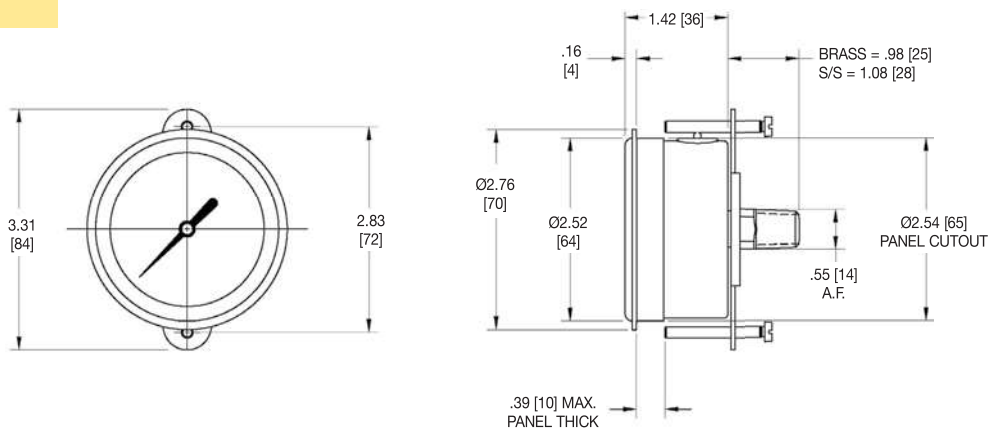
OPTIONS & ACCESSORIES

### 4" & 6" Front Flange

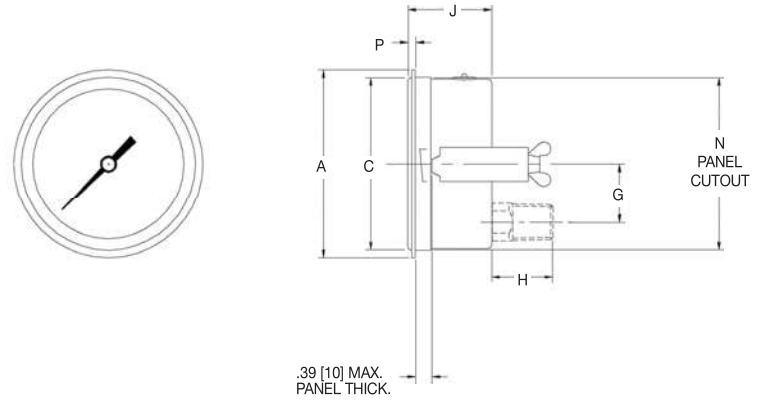


Dial Size	Material	A	C	D	E	F	G	H	J	K	N	P
4" [100]	Brass	5.20 [132]	3.98 [101]	0.19 [5]	3.39 [86]	0.63 [16]	1.04 [27]	1.44 [37]	1.93 [49]	4.57 [116]	4.13 [105]	0.24 [6]
	SS	5.20 [132]	3.98 [101]	0.19 [5]	3.39 [86]	0.63 [16]	1.36 [35]	1.38 [35]	1.93 [49]	4.57 [116]	4.13 [105]	0.24 [6]
6" [150]	Brass	7.72 [196]	6.34 [161]	0.23 [6]	4.57 [116]	0.69 [18]	1.04 [27]	1.44 [37]	1.97 [50]	7.01 [178]	6.50 [165]	0.24 [6]
	SS	7.72 [196]	6.34 [161]	0.23 [6]	4.57 [116]	0.69 [18]	1.36 [35]	1.38 [35]	1.97 [50]	7.01 [178]	6.50 [165]	0.24 [6]

### 2 1/2" U-Clamp



### 4" & 6" U-Clamp



Dial Size	Material	A	C	G	H	J	N	P
4" [100]	Brass	4.33 [110]	3.98 [101]	1.04 [27]	1.44 [37]	1.93 [49]	4.02 [102]	0.18 [5]
	SS	4.33 [110]	3.98 [101]	1.36 [35]	1.38 [35]	1.93 [49]	4.02 [102]	0.18 [5]
6" [150]	Brass	6.69 [170]	6.34 [161]	1.04 [27]	1.44 [37]	1.97 [50]	6.39 [162]	0.24 [6]
	SS	6.69 [170]	6.34 [161]	1.36 [35]	1.38 [35]	1.97 [50]	6.39 [162]	0.24 [6]