

MODEL 645

Handheld %RH, Dew Point Hygrometer



Benefits

- ▶ Highest precision $\pm 1\%RH$
- ▶ Housing with LED display
- ▶ Internal data memory
- ▶ Convenient data analysis
- ▶ Extensive professional probe range

Displays the following parameters at the touch of a button:

- ▶ Temperature
- ▶ Relative Humidity
- ▶ Absolute Humidity
- ▶ Dew Point
- ▶ Degree of Humidity
- ▶ Enthalpy

Model 645

Accurate humidity measurements are becoming increasingly important, especially in regards to energy savings, indoor air quality and environmental protection.

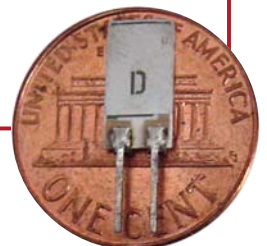
Model 645 offers the new modular system approach allowing you to purchase the instrument that currently meets your requirements, yet upgrade at a later time to meet your future measuring needs. Our modular design allows for easy upgrades to the instrument as they are developed, this way you will always have a measuring instrument corresponding to the latest technology.

Model 645 incorporates a 1% maintenance free humidity probe ideal for checking humidity measurements for validation of critical environments. The hygrometer is rugged, compact and protected by a waterproof plastic housing. The humidity measuring range is 0-100%RH with an accuracy of $\pm 1\%RH$ 10-90%, $\pm 2\%$ remaining range. The accuracy of this probe has been tested and proven time and again in worldwide laboratory tests. The probe is equipped with a patented %RH sensor.

Different humidity and dew point probes for industrial applications:

- ▶ Humidity measurements at up to 180°C in drying systems
- ▶ Precise dew point probes with quick disconnect
- ▶ Recognizes condensate, thus preventing damage to the compressed air system
- ▶ Measures equilibrium moisture (e.g. in bulky material)

And many more...



MEASUREMENT

TEMPERATURE

Measuring Range: -50 to 150°C (-58 to 302°F)
Response Time: <12 seconds @ 400 fpm
Resolution: 0.1°C
Accuracy of Instrument: ± 0.2°C (.36°F) -25 to 75°C (-13 to 167°F), ± 0.4°C (.72°F) remaining range
System Accuracy: Up to ±0.23°C

HUMIDITY

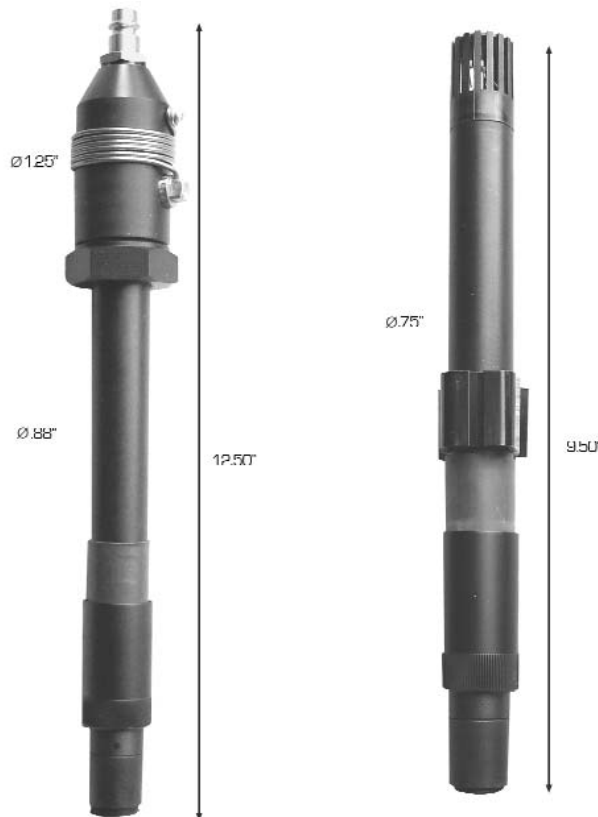
Measuring Range: 0 to 100% RH
Resolution: 0.1 %RH
System Accuracy: ±1%, 10 - 90%RH, ±2% remaining range

DEW POINT

Accuracy: ± 2.0°C (3.6°F) at -20°C (-4°F), nominal

FUNCTIONALITY

Typical Battery Lifetime: 9V PP3 (Al-Mn), 20-45hr
Weight: ~ 255g (.56lbs) including battery
Storage/Transport Temperature: -20 to 70°C (-4 to 158°F)
Housing: ABS
Operating Temperature : 0 to 50°C (32 to 122°F)



Pressure/Dew Point Probe

1% Probe

