

Optional Case Styles

600C

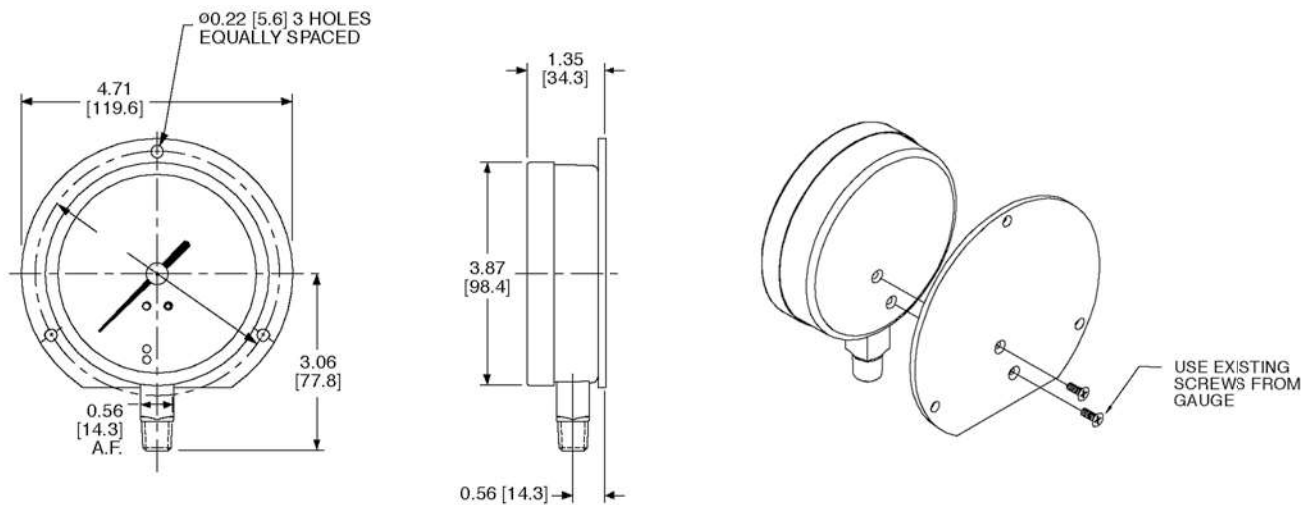
All dimensions are nominal. Dimensions in [] are in millimeters.

Kit Only. Not Factory installed.

	Dial Size	
Optional Case Style - 600C	3 1/2"	4 1/2"
Surface Mounted Back Flange Kit	198-0023	198-0016

Please order using the code listed.

3 1/2" Includes back flange. Use existing screws from gauge.



4 1/2" Includes back flange and replacement screws.

