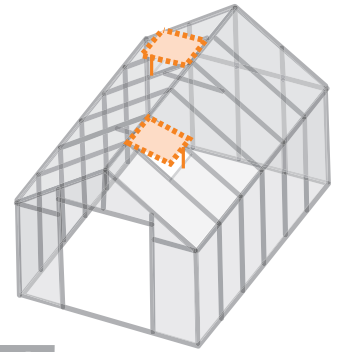
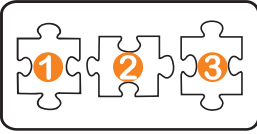
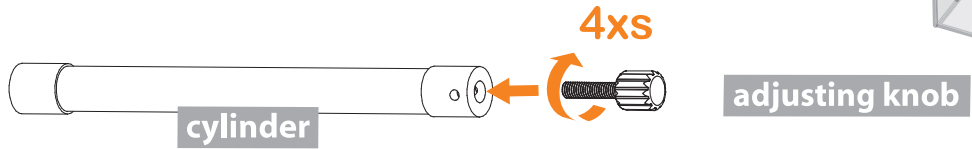


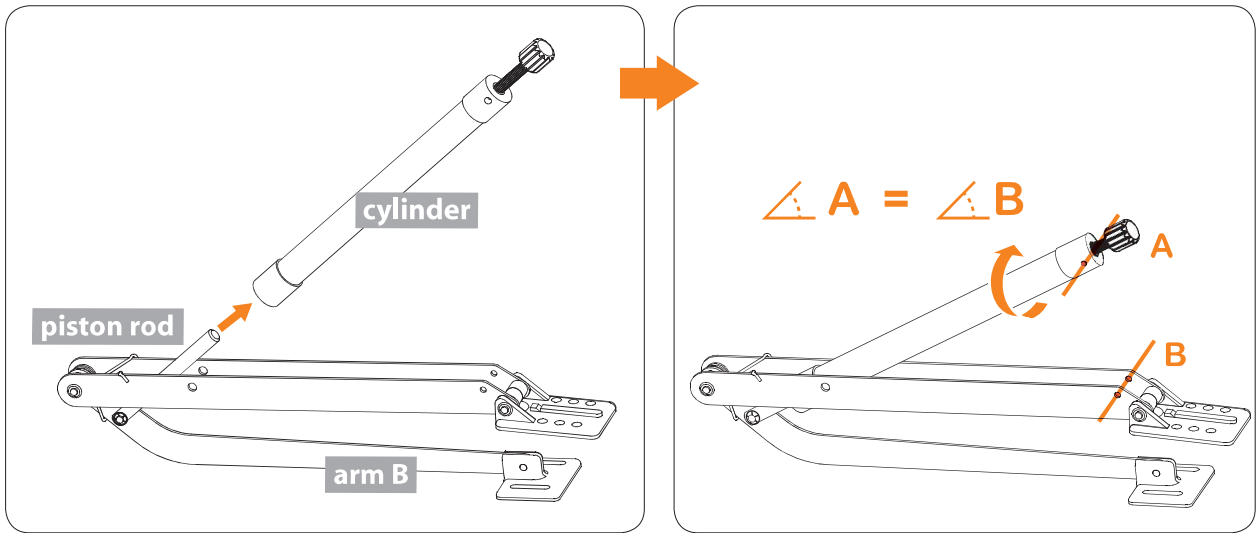
Install Roof Vents



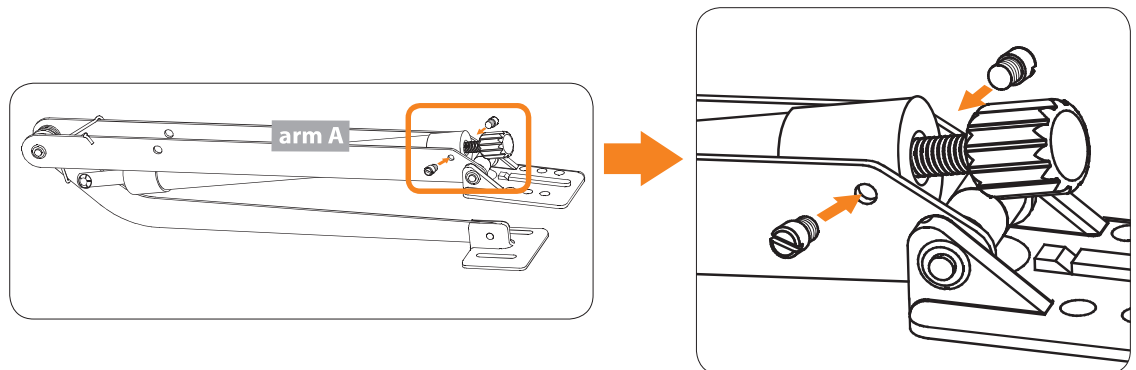
9.1A **V-3**



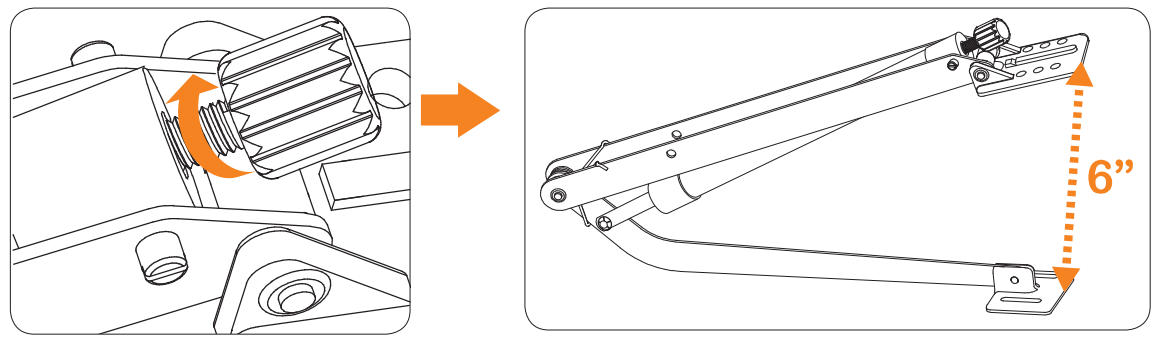
9.1B



9.1C



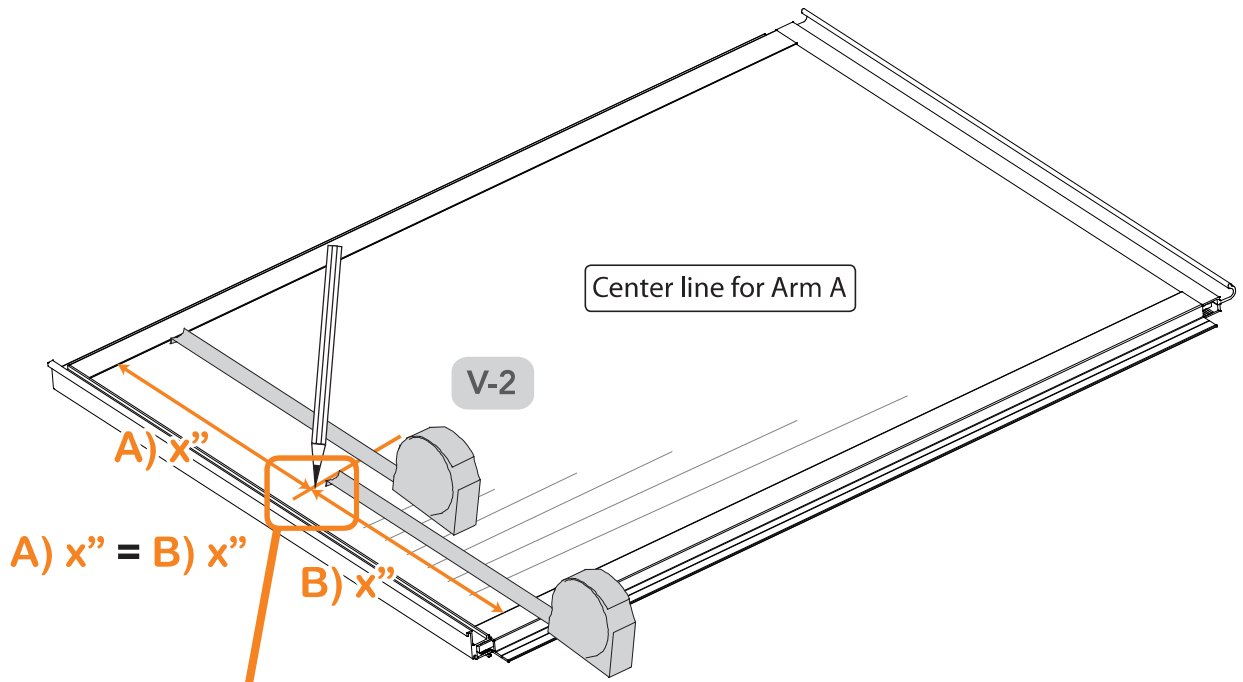
9.1D



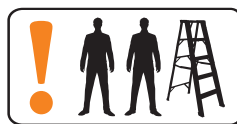
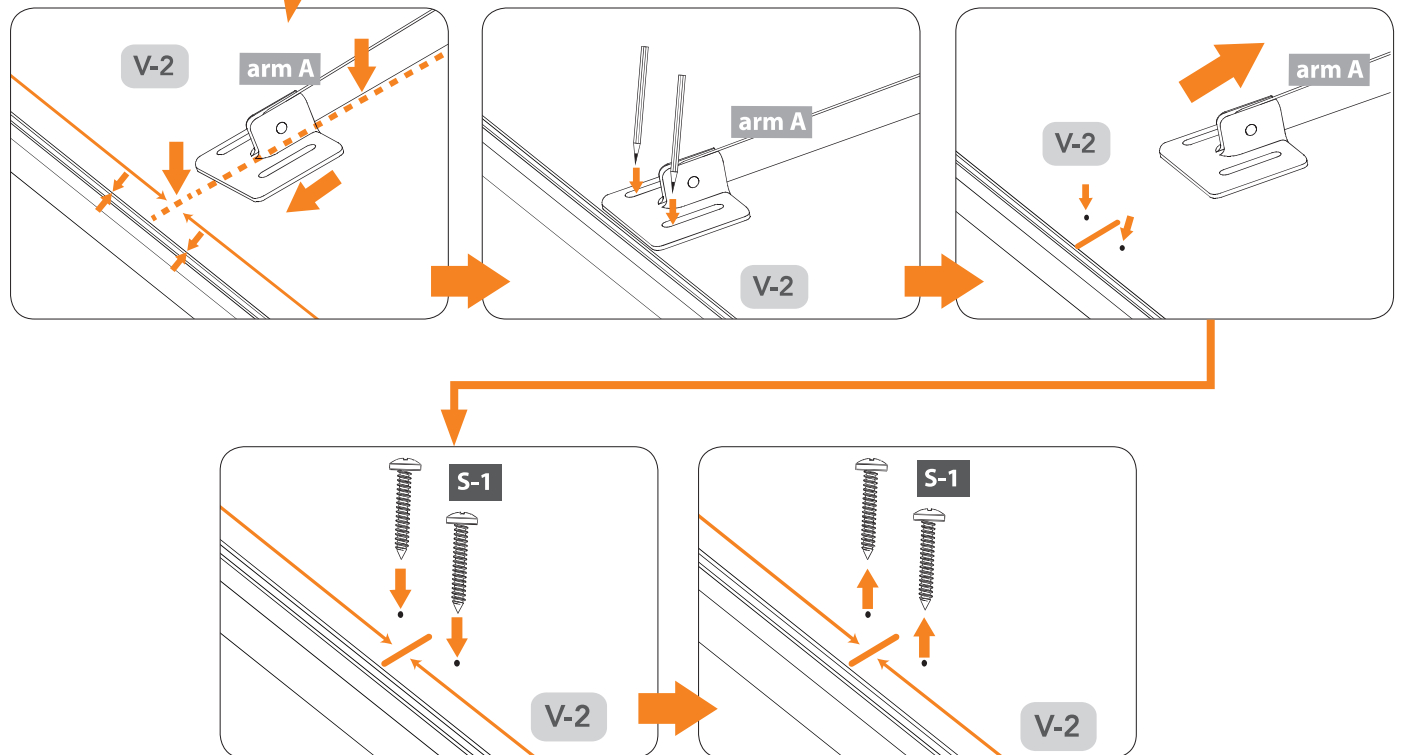
9.1E **(9.1A - 9.1D) x 2**

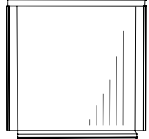
Handle	QTY	Cylinder	QTY	Adjusting Knob	QTY	Threaded Stud	QTY
	2		2		2		4

9.2A

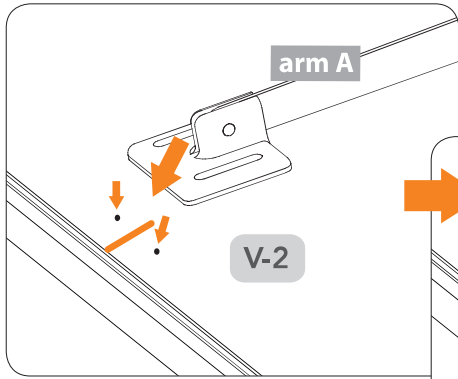


9.2B

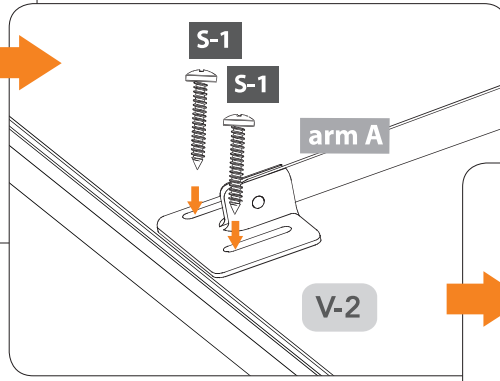


Factory Assembled Vent			QTY
	24" x 24 3/4"	V-2	2

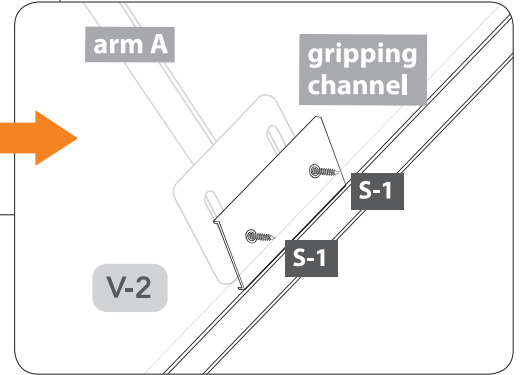
9.2C




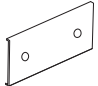
9.2D



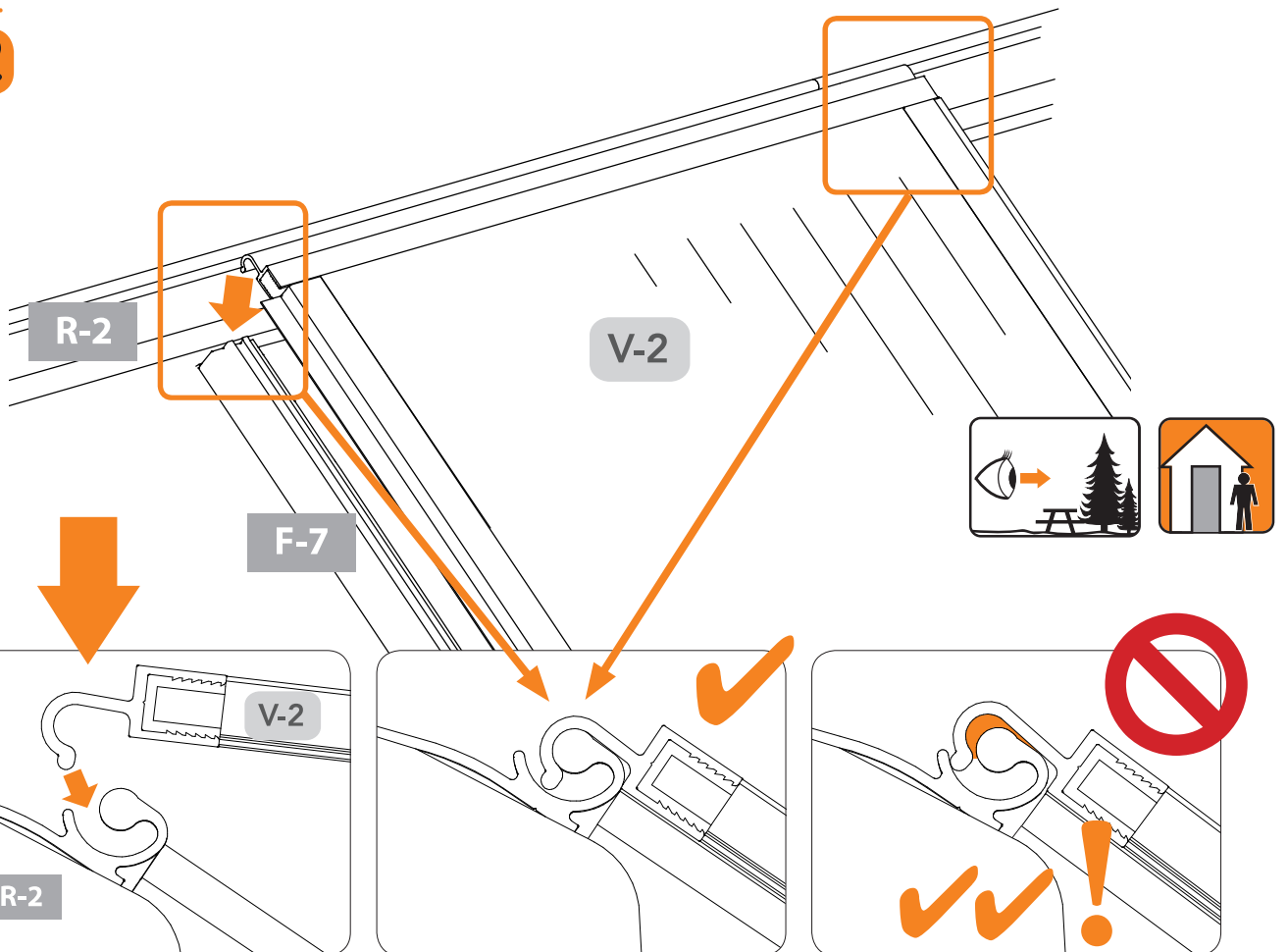
9.2E



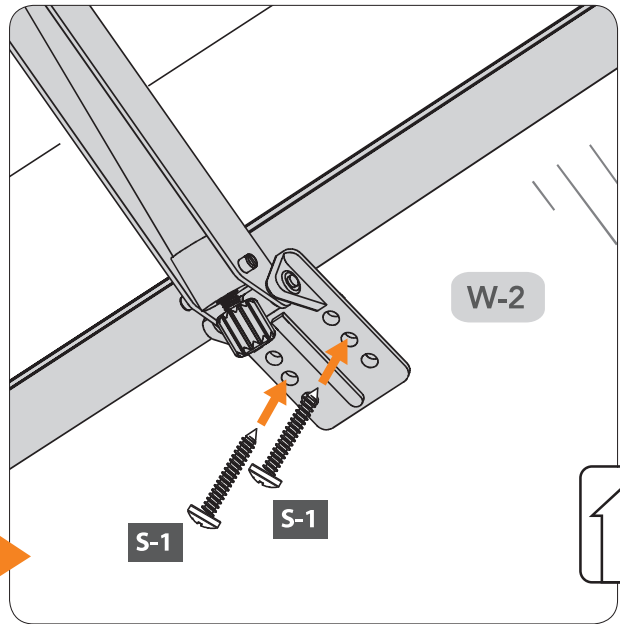
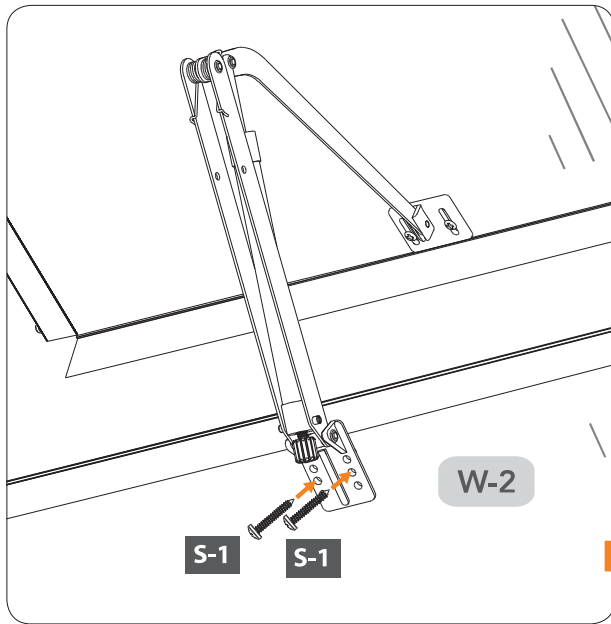
9.2F (9.2A - 9.2E) x 2

Connector	QTY	Gripping Channel	QTY
	S-1		2

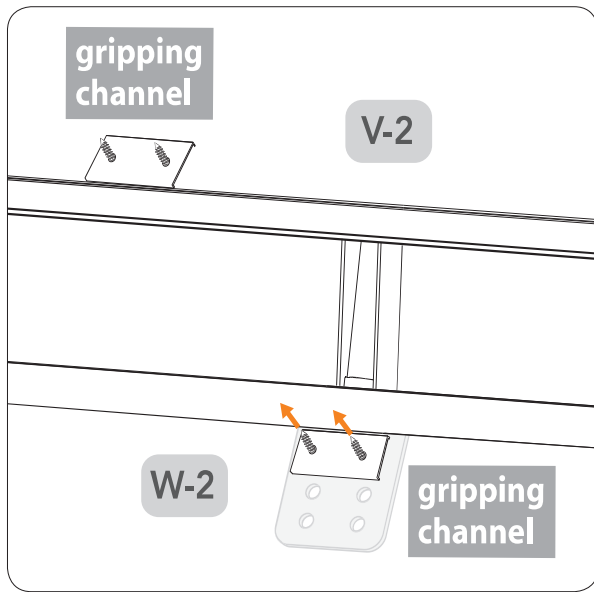
9.3A x2



9.3B




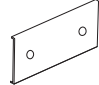
9.3B



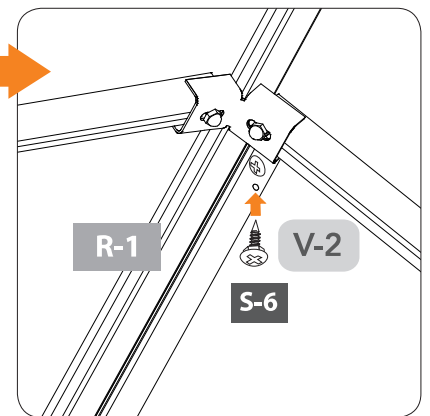
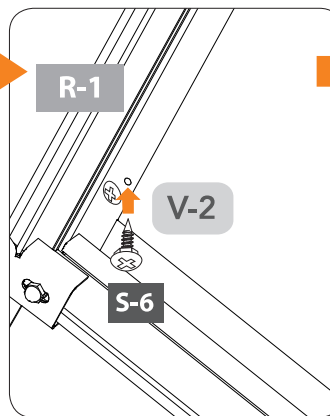
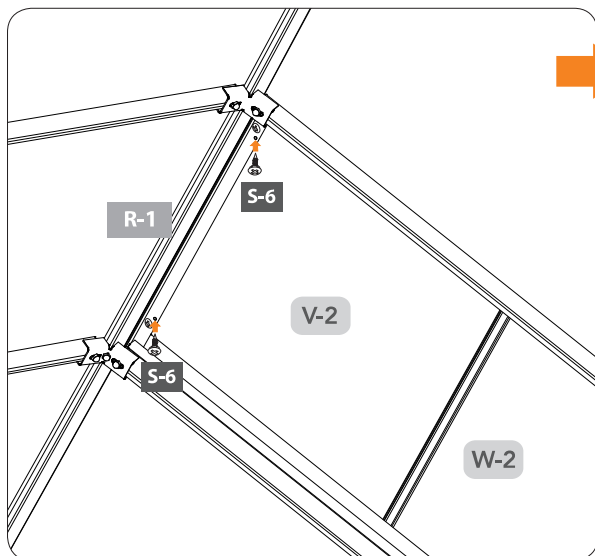
9.3C 9.3A - 9.3B x 2

NOTE: Make sure arm A overlaps aluminum trim on W-2



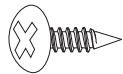
Connector	QTY	Gripping Channel	QTY
	S-1		2

9.4A



9.4B 9.4A x 4



Connector	QTY
	S-6
	8