

ENGLAON

ETA380HVII



IMPORTANT Carefully read this manual to familiarize yourself with the appliance before you use it. Keep this manual as a point of reference if necessary.

Product Features:

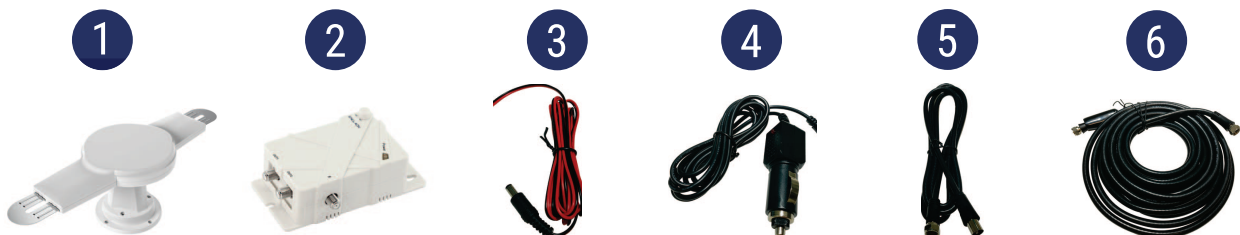
- Specially designed for HDTV from various digital terrestrial signals (DVB-T, ISDB-T, DMB-T/H, ATSC).
- The aerial is surface-treated to withstand impact from saltwater and adverse weather conditions.
- Built-in high gain and low noise amplifier shielded for minimum interference. Waterproof housing design made of super durability, UV resistant, injection moulded ABS material.
- Omnidirectional aerials receive VHF, UHF, and FM signals from every point.
- The best digital terrestrial TV reception solution for your boating and caravans SMD Technology and microelectronics make a high-quality amplifier to ensure excellent aerial performance.

Technical Specifications:

- Frequency Range: 87.5-230MHz, 470-862MHz
- Receiving range: VHF/UHF
- Antenna Gain: 32dB max
- Max.Output level: 102dB μ V max
- Impedance: 75 Ω
- Noise Figure: <3dB
- Power Supply: DC 12V 50mA

Packaging Content:

- 1- Antenna main unit with mounting accessories and wings
- 2- Amplifier/Power supply unit
- 3- 12V DC cable
- 4- 12V car lead
- 5- 1.5m coaxial cable (with one 'F' connector and one 'IEC' connector)
- 6- 5m coaxial cable (with 'F' male connector)



Mounting the Antenna:

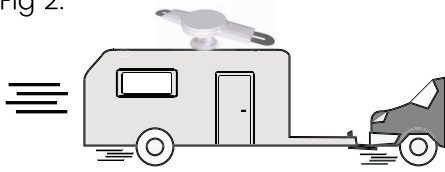
(Fig 1.) Use the centre mount and mast bracket accessories to fix the antenna on the pole.

Fig 1.



(Fig 2.) Available for caravan use.

Fig 2.



(Fig 3.) Connect the 'F' male connector of the coaxial cable to the 'F' female connector of the antenna.

Fig 3.



Outdoor Installation: Please use 'Fig. 4' and 'Fig. 5' installation instructions for reference.

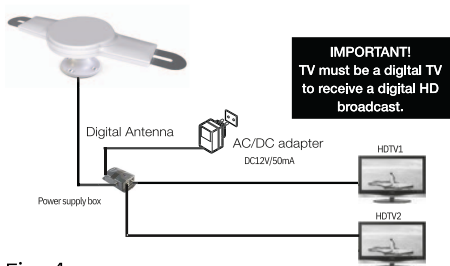


Fig 4.

Installation 1 : Directly connected to HDTV

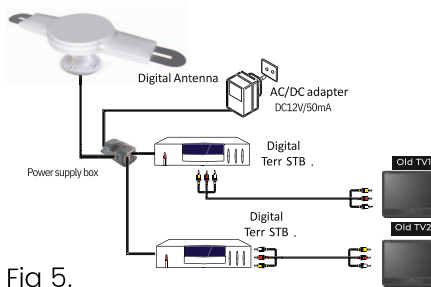
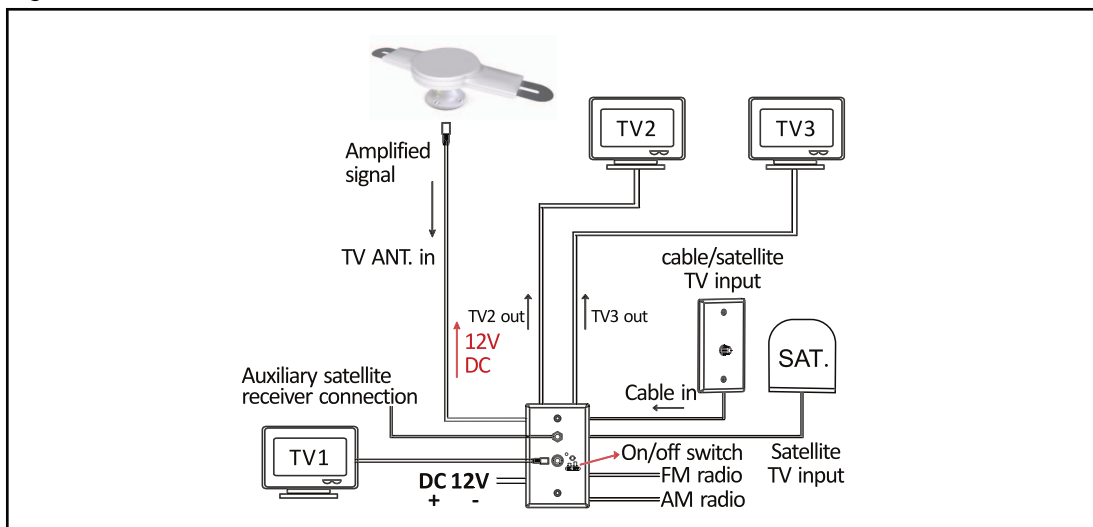


Fig 5.

Installation 2 : directly connected to HDTV through digital converter box

Caravan Installation: Please use 'Fig.6' installation instructions for reference.

Fig 6.



Note: After the mounting and installation are finished, please adjust the antenna in the best position to get a clear TV picture, then fix the antenna and organise the coaxial cable.

Operation Instruction:

- Once the aerial and power supply have been installed and all cables have been properly connected, a channel scan must be run before watching TV in order to receive a maximum of programs. Run a channel scan each time the aerial is moved or if the TV has lost channels.
- Please keep the antenna away from the sources of interference: keep the antenna away from those big power consumption devices.
- Install the antenna as high as possible: in digital terrestrial reception, if there are some interceptions between antenna and transmission tower, it will cause the signal loss temporarily.

Aftersales Service:

Carefully keep your purchase invoice. It will be required for any warranty claim. In case of problems, contact your dealer. No product return will be accepted without prior approval.

Warranty Conditions:

The commercial warranty conditions for this product are stipulated in the general sales conditions (GSC) on the back of the purchase invoice. We advise you to read the GSC and the following. The transport costs remain at the user's expense. All anomalies must be reported to us by registered letter with acknowledgment of receipt within 10 days of the occurrence. Please note that our guarantee covers the reasonable use of the product, it does NOT cover any damage caused by misuse.

To ensure the validity of the guarantee please carry out maintenance in accordance with the maintenance section.

The following are excluded from the warranty:

- A malfunction or failure of the system that has been caused by poor or incorrect installation.
- Any wear or faults caused by improper assembly or use not in accordance with recommended guidelines.
- Any damage caused by exceptional weather conditions (storms, hail, snow, storms, floods, etc.).
- Any act of vandalism, collision, falling objects or anything else.
- Any damage caused by the user's fault.

We reserve the right to make a call out and/or repair charge for any work required to be undertaken to rectify faults that are outside of the company's control i.e. incorrect or poor fitting, misuse, accidental damage, etc.

Supplier Information:

Englaon Television Australia
820 Mountain Hwy, Bayswater VIC 3153
Tel.: 03 9121 3737
www.englaon.com.au