

AHD Monitor DVR with Reverse Cameras

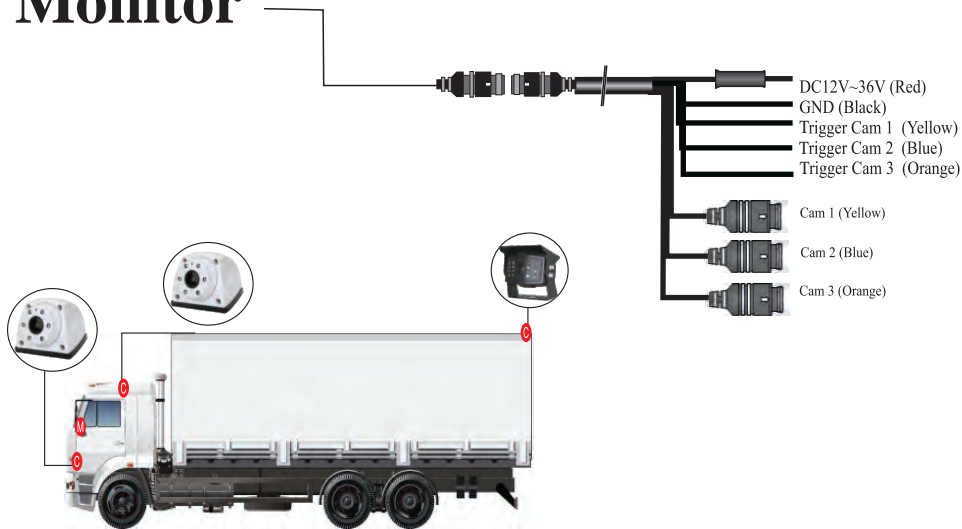
Operation Manual

DVR-7C1



System

Monitor



Contents

1. Contents/ Warranty.....	1
2. Preface.....	2
3. Specifications.....	3
4. Menu Operation Instruction.....	4
5. Keystroke and Remote Instruction.....	5
6. Wiring Diagram.....	6
7. Bracket Installation.....	7
8. Systems.....	8

Warranty

Thanks for use our products, we will offer the below service:
12 months warranty after leave from factory.

While below status, we will charge maintenance cost:

- 1) Can't offer purchase invoice;
- 2) Invoice was changed by buyer;
- 3) Accident or human damage;
- 4) Leader wire was cut down;
- 5) Product was opened without discuss with us;
- 6) More than warranty period.

Specifications and manual content are subject to change without any notice.

Preface

Thanks for your support. Our company stick the management philosophy of “Quality First, Honest Based!” , and based on meeting customer’s requirement and supplying high quality products, perfect after-sales service as our purpose, be absorbed in offer the best products.

To ensure long-term trouble-free service of the products, please read this manual carefully before using the product.

Notes:

1. Do not try to open the covers. It is a high precision product. Please close the power in time if anomalies.
2. Do not use organic solvent clear the covers, to avoid it peel off painting.
3. Do not enforce to the lead wire., to avoid damage or poor connect.
4. Keep the product out of the dirty, direct sun, high temperature and humidity condition.
5. Protect the product from fall down and shock.
6. Please wiring as diagram strictly, if wiring wrong will lead product can’t work and even damage vehicle electrical system.
7. Do not use any affect operation of driving.
8. Do not let the product working at higher or lower than the suitable temperature of machine.



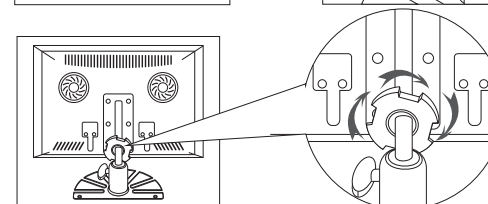
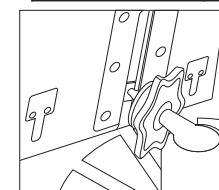
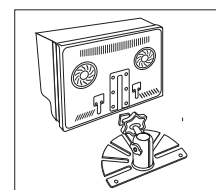
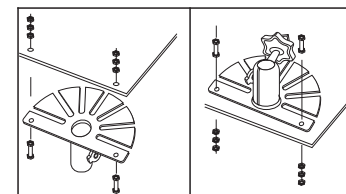
For the sake of safety, please do not watch the video while driving, except driving assist video!

Bracket Installation

Bracket optional: Headrest Frame; Metal; U-Bracket

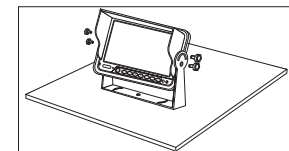
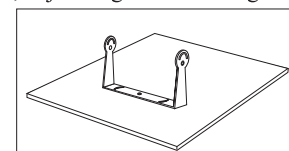
1. Plastic/Metal Bracket Installation

- 1) Firstly fixed the bracket via the screws, the screws of the top need lock to nut of under.
- 2) Secondly put the metal buckle piece on the top of the fan-shaped bracket into the notch at the back of the monitor.
- 3) Move the bracket to the proper location.
- 4) Screw down the nut of bracket, until the monitor fastening.

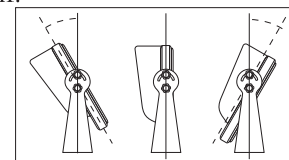
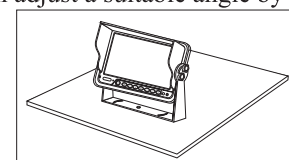


2. U-Bracket Installation (optional)

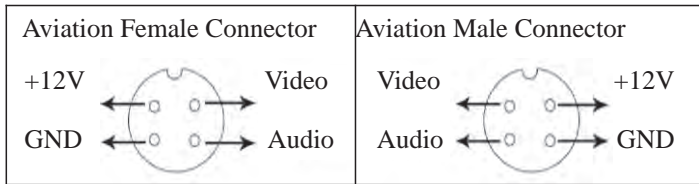
- 1) Use the screw fixed the U-bracket. Put the monitor into the bracket, adjust angle and locking it.



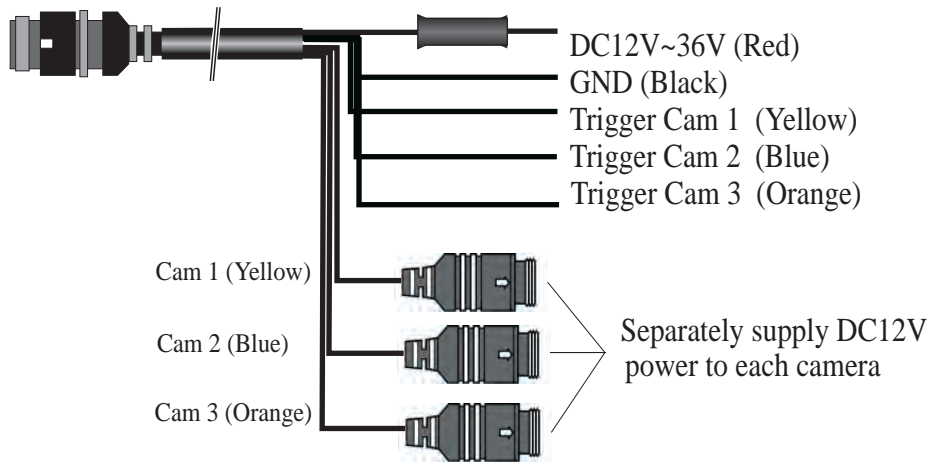
- 2) Finished the installation. Adjust the angle forward 30° to backward 30° . User can adjust a suitable angle by oneself.



Wiring Diagram



14Pin Aviation Connector (coaxial)



Extension Cable



Monitor Specifications

Screen Size	7"												
Resolution	1024RGB(H) x600(V)												
System	PAL/NTSC/ AUTO												
OSD Menu	Reversing image delay time 0~15s; Separately adjust camera mirror/ normal image; Multi-language: English/Deutsch/Francais/Espanol/ Portugal/Italiano/Chinese												
Video Inputs	3 way video inputs, 3 way trigger wires												
Brightness	450cd/m ²												
Contrast	500:1												
Voltage	DC12V~36V												
Features	With reverse polarity protection; Separately supply DC12V power to each camera; AV1/AV2/AV3 with trigger wires; With light sensor; With removable sunshade;												
Camera type	Allow AHD 720P/960P/1080P/CCD/CMOS												
Operation Mode	6# Remote control/Keystroke												
Dimensions	<table border="0"> <tr> <td>5INCH:</td> <td>(L)132x(W)95x(T)25MM</td> </tr> <tr> <td>7INCH:</td> <td>(L)177x(W)122x(T)26MM</td> </tr> <tr> <td>9INCH:</td> <td>(L)228x(W)154x(T)26MM</td> </tr> <tr> <td>10.1INCH:</td> <td>(L)352x(W)166x(T)32MM</td> </tr> <tr> <td>7INCH:</td> <td>(L)186x(W)140x(T)33MM (IP69K)</td> </tr> <tr> <td>10.1INCH:</td> <td>(L)263x(W)185x(T)34MM (IP69K)</td> </tr> </table>	5INCH:	(L)132x(W)95x(T)25MM	7INCH:	(L)177x(W)122x(T)26MM	9INCH:	(L)228x(W)154x(T)26MM	10.1INCH:	(L)352x(W)166x(T)32MM	7INCH:	(L)186x(W)140x(T)33MM (IP69K)	10.1INCH:	(L)263x(W)185x(T)34MM (IP69K)
5INCH:	(L)132x(W)95x(T)25MM												
7INCH:	(L)177x(W)122x(T)26MM												
9INCH:	(L)228x(W)154x(T)26MM												
10.1INCH:	(L)352x(W)166x(T)32MM												
7INCH:	(L)186x(W)140x(T)33MM (IP69K)												
10.1INCH:	(L)263x(W)185x(T)34MM (IP69K)												

Menu Operation Instruction

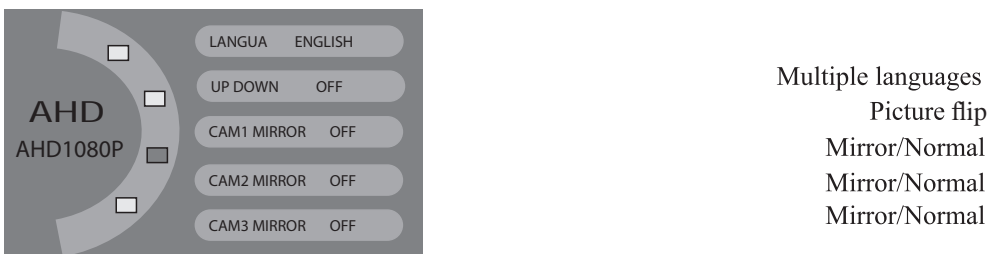
Press “MENU” , the screen will show OSD menu.

Press “▼▲”, to select other feature. Press“◀▶” to adjust parameter.

Press “MENU” over and over again, the screen will show pictures as below:



Warm Tips:
When Guide Line is set as ON at the current channel, and the current channel is triggered by the corresponding trigger wire, then the guide line will be displayed ON the screen.



Keystroke Instruction

- | | | | |
|---|----------------|---|---------------------|
| ① | ↓ ; Power | ① | Power On |
| ② | V1/V2; AV; SEL | ② | Video Switch |
| ③ | CH | ③ | Guide Lines |
| ④ | L/R | ④ | Image Normal/Mirror |
| ⑤ | M; MENU | ⑤ | MENU |
| ⑥ | - ; ▼ | ⑥ | Analog Decrease |
| ⑦ | + ; ▲ | ⑦ | Analog Increase |
| ⑧ | ○ | ⑧ | IR Receiver |
| ⑨ | ● | ⑨ | Light Sensor |
| ⑩ | □ □□ □□ | ⑩ | Inaction |

Remote Instruction

- ① Power on/off
- ② Video switchover
- ③ ◀ Analog decrease
- ④ ▶ Analog increase
- ⑤ Mode
- ⑥ Menu
- ⑦ Insulation sheet

