

Wall Mount Cylinder Installation

SHT-10114

lusalighting.com

For your safety, read and understand these instructions completely before starting installation.

The electrical product contained herein is designed to meet the requirements of UL 1598 and the current NFP regulations as published in the National Electrical Code (NEC). Specific modifications and revisions in your area may differ from this standard. Compliance with local building and electrical codes must be confirmed before installation.

WARNING - To prevent wiring damage or abrasion, do not pinch or damage exposed wiring during installation. Keep away from edges of sheet metal or other sharp objects.

WARNING - Risk of fire or electric shock. Installation of this product requires a person familiar with the construction and operation of the luminaire's electrical system and the hazard involved. If not qualified, do not attempt installation. Contact a qualified electrician.

WARNING - Risk of fire or electric shock. Install this kit only in the luminaires that have the construction features shown in the photographs and / or drawings. Do not make or alter any open holes in an enclosure of wiring or electrical components during kit installation.

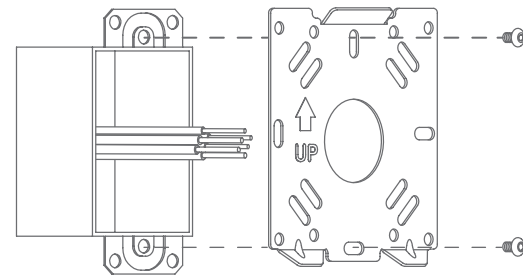
WARNING - Risk of fire or electric shock. Do not alter, relocate or remove wiring, lamp holders, power supply, or any other electrical component.

BEFORE YOU INSTALL - Power must be turned off prior to installation. Failure to do so may cause electric shock, which may result in injury or death. Ensure that electrical connection is in accordance with local and NEC standards and that wiring is 120VAC.

Wall Mount Cylinder Installation CW6BWH, CW6BBK

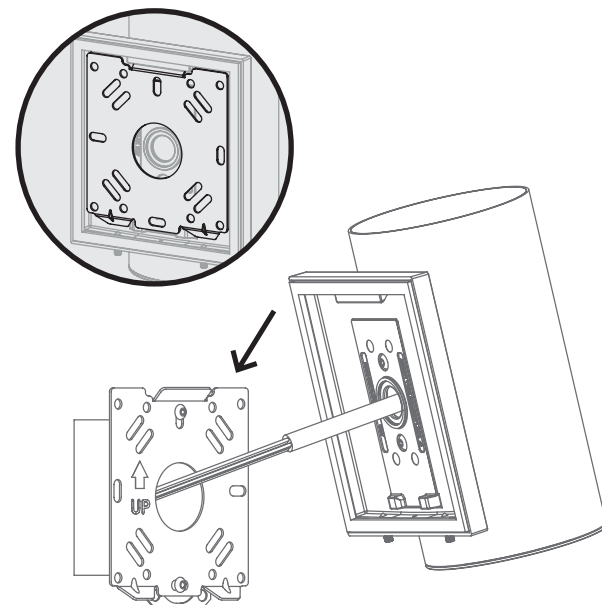
The following instructions are for use with two-gang, 3" octagonal, 3" round metallic, 3" round non-metallic old-work, 4" octagonal, 4" round, and 4" square junction boxes.

1. Route the building's electrical supply wires through the junction box adapter, then secure the adapter to the junction box using two (2) screws (not included).

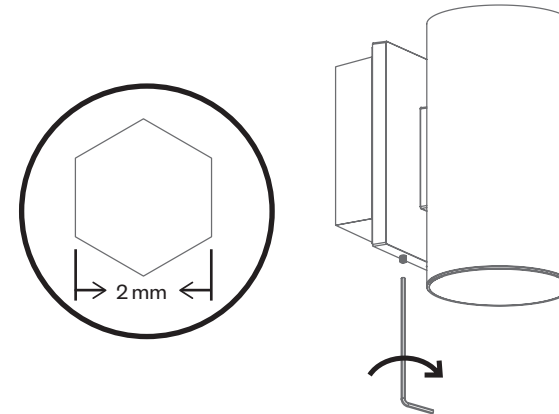


2. Connect the cylinder to the electrical circuit, ensuring compliance with local and NEC standards. Push these connections into the junction box through the adapter's opening.

3. Align the bracket on the back of the cylinder with the protruding cleat on the junction box adapter, fitting them together.

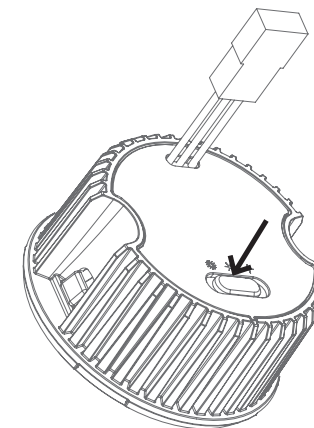


4. Press firmly to seat the cylinder and bracket onto the junction box adapter. Use a hex key to secure the bracket to the adapter using two (2) socket headset screws (included).

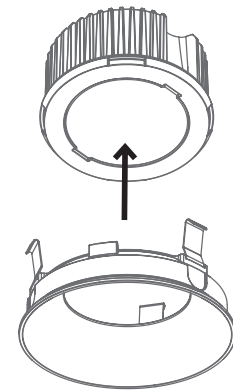


5. Set the Brightness Switch to your desired setting:

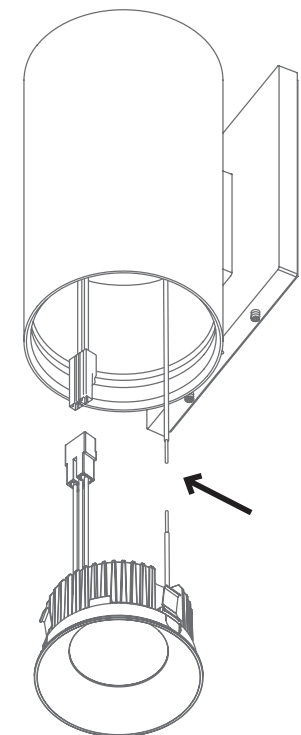
- ☾ Soft Light: 350 lm (5W)
- ☼ 7-9 ft Ceiling: 750 lm (9W)
- ☀ 9-12 ft Ceiling: 950 lm (12W)



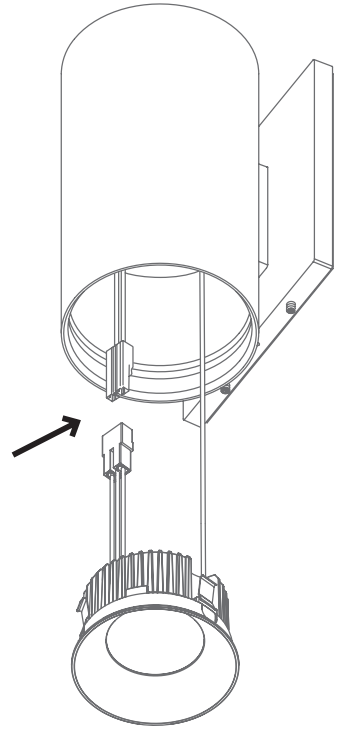
6. Attach the trim to the module, applying pressure until the tension clips snap into place.



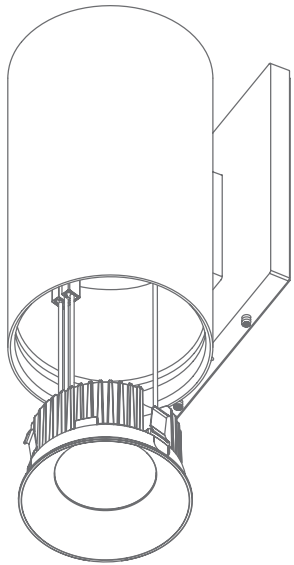
7. Connect the module's ground wire to the building ground, adhering to local and NEC standards.



8. Connect the module power connector.



9. Insert the trim and attached module into the cylinder. Press until fully seated into cylinder.



Good light. Good life.