

LUSA™

Meet the light of your life.

Remodel Installation

SHT-10109

lusalighting.com

For your safety, read and understand these instructions completely before starting installation.

The electrical product contained herein is designed to meet the requirements of UL 1598 and the current NFP regulations as published in the National Electrical Code (NEC). Specific modifications and revisions in your area may differ from this standard. Compliance with local building and electrical codes must be confirmed before installation.

WARNING - To prevent wiring damage or abrasion, do not pinch or damage exposed wiring during installation. Keep away from edges of sheet metal or other sharp objects.

WARNING - Risk of fire or electric shock. Installation of this product requires a person familiar with the construction and operation of the luminaire's electrical system and the hazard involved. If not qualified, do not attempt installation. Contact a qualified electrician.

WARNING - Risk of fire or electric shock. Install this kit only in the luminaires that have the construction features shown in the photographs and / or drawings. Do not make or alter any open holes in an enclosure of wiring or electrical components during kit installation.

WARNING - Risk of fire or electric shock. Do not alter, relocate or remove wiring, lamp holders, power supply, or any other electrical component.

BEFORE YOU INSTALL - Power must be turned off prior to installation. Failure to do so may cause electric shock, which may result in injury or death. Ensure that electrical connection is in accordance with local and NEC standards and that wiring is 120VAC.

Housing Installation

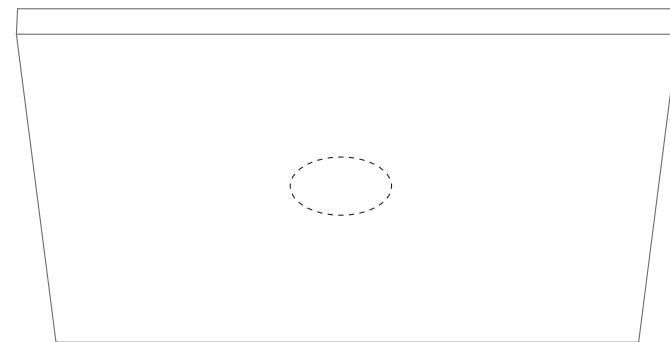
R3RM, R4RM



To watch our Remodel installation video, scan the QR code.

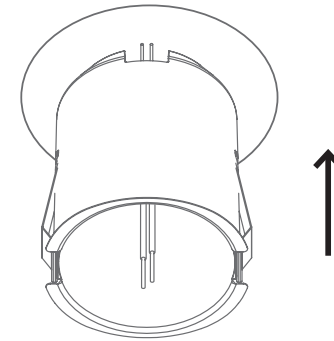
Reminder: LUSA™ Remodel housing is compatible with a ceiling thickness of 5/8" to 1 1/4"

1. Mark the center fixture position on the drywall.
2. Using a hole saw, cut an opening in the drywall that corresponds to the 3" or 4" downlight.
For the 3" or R3RM, cut a 3 5/8" [92mm] opening
For the 4" or R4RM, cut a 4 1/2" [114mm] opening
Clean the edges of the hole to remove debris.

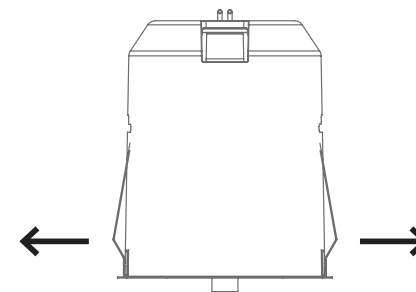
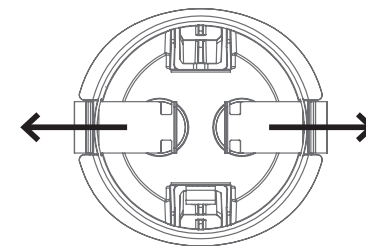


3. Route the electrical wires through the wiring compartment using Romex tabs or knockouts.

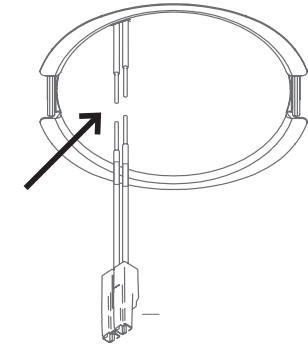
4. Push the box into the ceiling and make sure that the plastic lip is flush with the bottom of the ceiling.



5. Push the flanges on the spring clips out, making sure that the notches on the spring clip snap into place with the T-shaped cutout in the housing.



6. Connect the hardwire adapter (included) to the housing electrical leads.



Module & Trim Installation

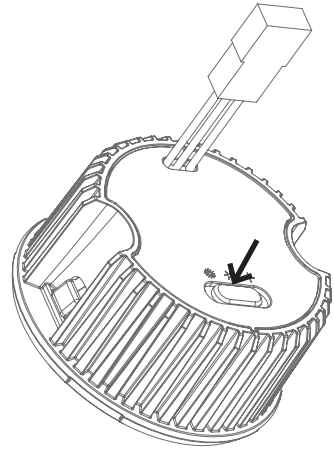
RM3C

The following instructions are for any combination of LUSA™ Trim + LUSA™ Module.

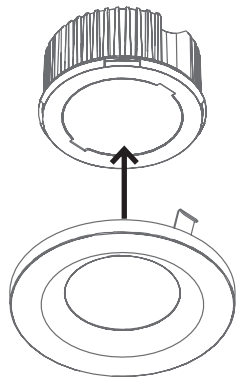
3" Round Trim R3TRSWH, R3TRSBK	4" Round Trim R4TRSWH, R4TRSBK
3" Square Trim R3TSSWH, R3TSSBK	4" Square Trim R4TSSWH, R4TSSBK
3" Surface Trim R3TRFWH, R3TRFBK	4" Surface Trim R4TRFWH, R4TRFBK
3" Adjustable Trim R3TRAWH, R3TRABK	4" Adjustable Trim R4TRAWH, R4TRABK

1. Set the Brightness Switch to your desired setting:

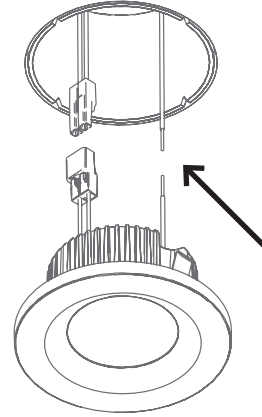
- ☾ **Soft Light:** 350 lm (5W)
- ☀ **7-9 ft Ceiling:** 750 lm (9W)
- ☀ **9-12 ft Ceiling:** 950 lm (12W)



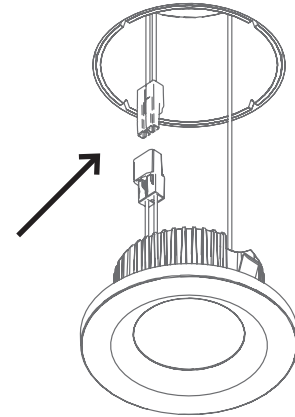
2. Line up your trim onto the module and push the trim until the tension clips snap into place.



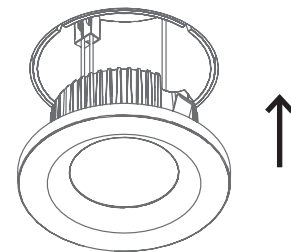
3. Attach the module ground wire to the building ground, per national and local electrical code.



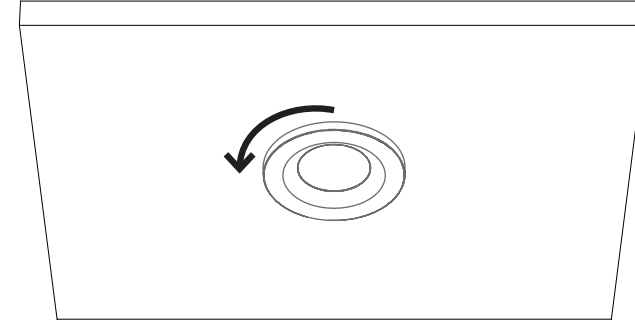
4. Connect the module power connector.



5. Place the module into the housing and push the trim up until flush with ceiling.



6. Press the trim to the ceiling and rotate up to 1/4 turn to remove any gaps and secure it into place.



Good light. Good life.