

# LUSA™

Meet the light of your life.

## New Construction with Bar Hangers Installation

SHT-10108

lusalighting.com

**For your safety, read and understand these instructions completely before starting installation.**

The electrical product contained herein is designed to meet the requirements of UL 1598 and the current NFP regulations as published in the National Electrical Code (NEC). Specific modifications and revisions in your area may differ from this standard. Compliance with local building and electrical codes must be confirmed before installation.

**WARNING** - To prevent wiring damage or abrasion, do not pinch or damage exposed wiring during installation. Keep away from edges of sheet metal or other sharp objects.

**WARNING** - Risk of fire or electric shock. Installation of this product requires a person familiar with the construction and operation of the luminaire's electrical system and the hazard involved. If not qualified, do not attempt installation. Contact a qualified electrician.

**WARNING** - Risk of fire or electric shock. Install this kit only in the luminaires that have the construction features shown in the photographs and / or drawings. Do not make or alter any open holes in an enclosure of wiring or electrical components during kit installation.

**WARNING** - Risk of fire or electric shock. Do not alter, relocate or remove wiring, lamp holders, power supply, or any other electrical component.

**BEFORE YOU INSTALL** - Power must be turned off prior to installation. Failure to do so may cause electric shock, which may result in injury or death. Ensure that electrical connection is in accordance with local and NEC standards and that wiring is 120VAC.

## Housing Installation

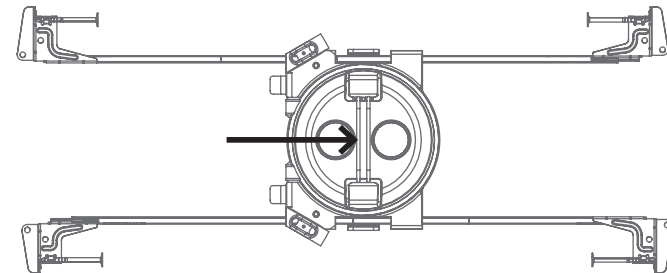
R3BH, R4BH



To watch our New Construction with Bar Hangers installation video, scan the QR code.

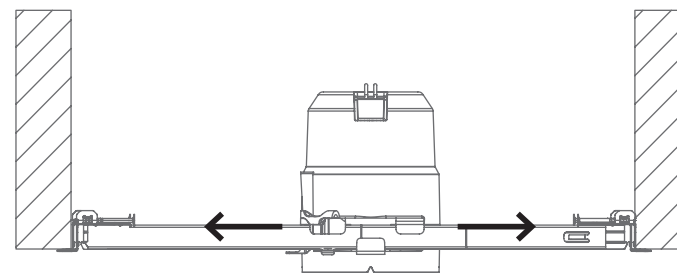
**Reminder: LUSA™ New Construction housing is compatible with a ceiling thickness of 1/2" to 5/8"**

1. Locate and remove the AC pigtail (to be used at step 6); determine the desired fixture position.

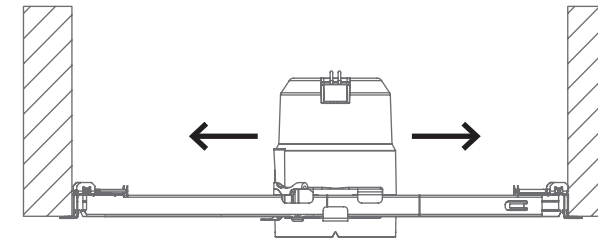


2. Install the bar hanger ends into the joists by nailing in four nails (factory installed) at the end of the bar hangers.

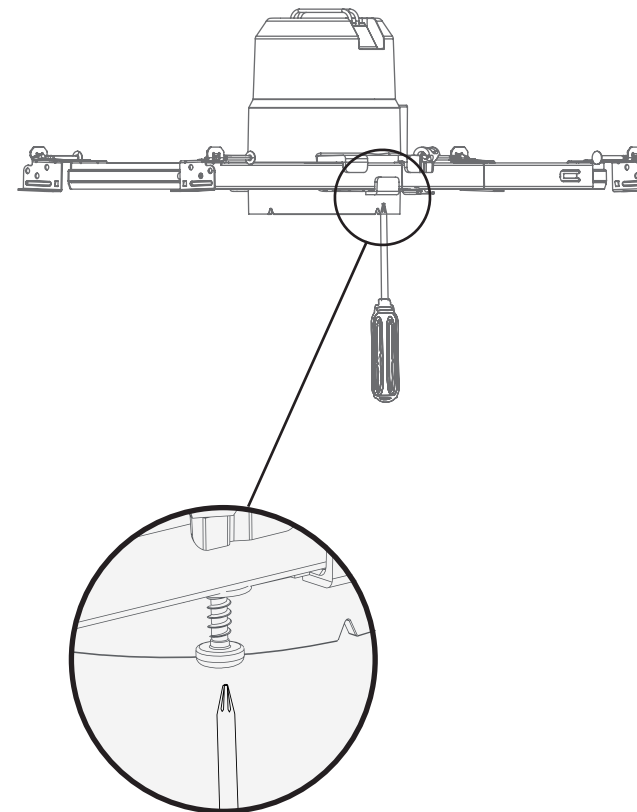
**Note:** Compatible with 16" - 24" spacing. You can also cut the bar hangers on scored sections to go down to 12" spacing.



3. Adjust the horizontal position of the housing by sliding it along the bar hangers. Locate the center according to the desired fixture location.

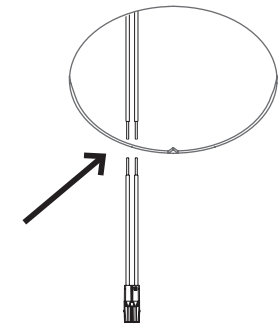


4. Lock the horizontal positioning by fastening both bar hanger screws (factory installed).



5. Route the electrical wires through the wiring compartment using Romex tabs or knockouts.

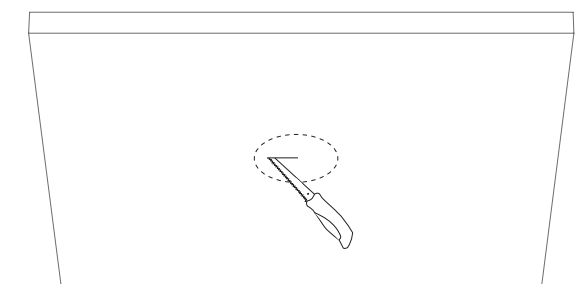
6. Connect the hardwire adapter (included) to the housing electrical leads.



7. Mark the center fixture position on the drywall.

8. Cut an opening in the drywall that corresponds to the 3" or 4" downlight.

**For the 3" or R3BH, cut a 3 1/2" [89mm] opening**  
**For the 4" or R4BH, cut a 4 1/2" [114mm] opening**



# Module & Trim Installation

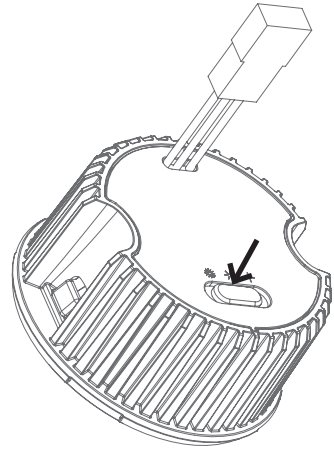
## RM3C

The following instructions are for any combination of LUSA™ Trim + LUSA™ Module.

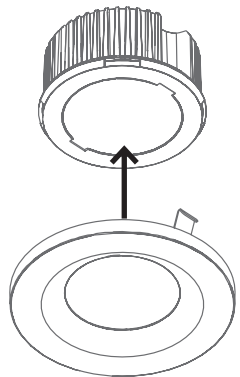
<b>3" Round Trim</b> R3TRSWH, R3TRSBK	<b>4" Round Trim</b> R4TRSWH, R4TRSBK
<b>3" Square Trim</b> R3TSSWH, R3TSSBK	<b>4" Square Trim</b> R4TSSWH, R4TSSBK
<b>3" Surface Trim</b> R3TRFWH, R3TRFBK	<b>4" Surface Trim</b> R4TRFWH, R4TRFBK
<b>3" Adjustable Trim</b> R3TRAWH, R3TRABK	<b>4" Adjustable Trim</b> R4TRAWH, R4TRABK

1. Set the Brightness Switch to your desired setting:

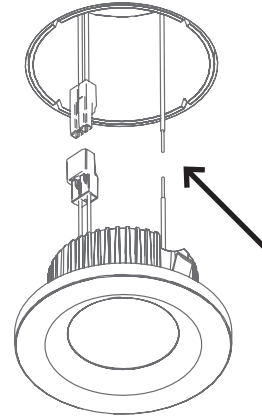
- ☾ **Soft Light:** 350 lm (5W)
- ☼ **7-9 ft Ceiling:** 750 lm (9W)
- ☀ **9-12 ft Ceiling:** 950 lm (12W)



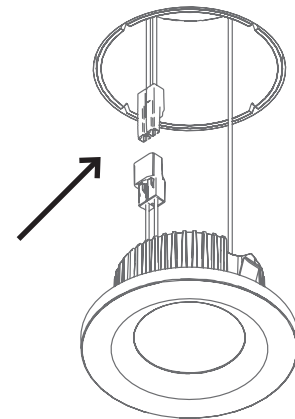
2. Line up your trim onto the module and push the trim until the tension clips snap into place.



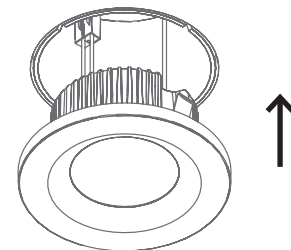
3. Attach the module ground wire to the building ground, per national and local electrical code.



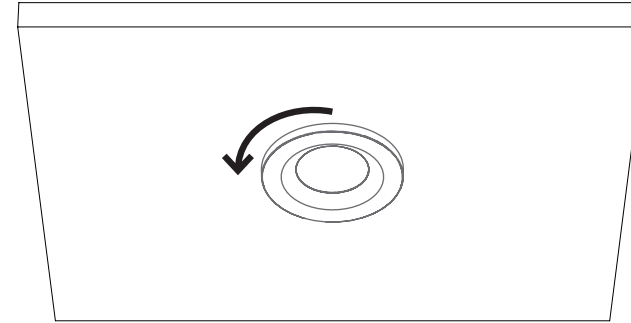
4. Connect the module power connector.



5. Place the module into the housing and push the trim up until flush with ceiling.



6. Press the trim to the ceiling and rotate up to 1/4 turn to remove any gaps and secure it into place.



Good light. Good life.