

## Module + Retrofit Installation

SHT-10106

lusalighting.com

**For your safety, read and understand these instructions completely before starting installation.**

The electrical product contained herein is designed to meet the requirements of UL 1598 and the current NFP regulations as published in the National Electrical Code (NEC). Specific modifications and revisions in your area may differ from this standard. Compliance with local building and electrical codes must be confirmed before installation.

**WARNING** - To prevent wiring damage or abrasion, do not pinch or damage exposed wiring during installation. Keep away from edges of sheet metal or other sharp objects.

**WARNING** - Risk of fire or electric shock. Installation of this product requires a person familiar with the construction and operation of the luminaire's electrical system and the hazard involved. If not qualified, do not attempt installation. Contact a qualified electrician.

**WARNING** - Risk of fire or electric shock. Install this kit only in the luminaires that have the construction features shown in the photographs and / or drawings. Do not make or alter any open holes in an enclosure of wiring or electrical components during kit installation.

**WARNING** - Risk of fire or electric shock. Do not alter, relocate or remove wiring, lamp holders, power supply, or any other electrical component.

**BEFORE YOU INSTALL** - Power must be turned off prior to installation. Failure to do so may cause electric shock, which may result in injury or death. Ensure that electrical connection is in accordance with local and NEC standards and that wiring is 120VAC.

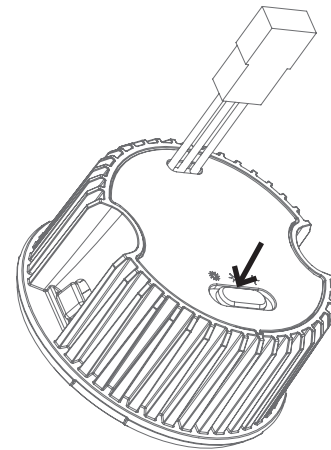
## Module & Trim Installation RM3C

The following instructions are for any combination of LUSA™ Trim + Module.

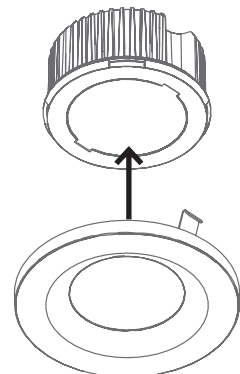
<b>3" Round Trim</b> R3TRSWH, R3TRSBK	<b>4" Round Trim</b> R4TRSWH, R4TRSBK
<b>3" Square Trim</b> R3TSSWH, R3TSSBK	<b>4" Square Trim</b> R4TSSWH, R4TSSBK
<b>3" Surface Trim</b> R3TRFWH, R3TRFBK	<b>4" Surface Trim</b> R4TRFWH, R4TRFBK
<b>3" Adjustable Trim</b> R3TRAWH, R3TRABK	<b>4" Adjustable Trim</b> R4TRAWH, R4TRABK

1. Set the Brightness Switch to your desired setting:

- ☾ **Soft Light:** 350 lm (5W)
- ☼ **7-9 ft Ceiling:** 750 lm (9W)
- ☀ **9-12 ft Ceiling:** 950 lm (12W)



2. Line up your trim onto the module and push the trim until the tension clips snap into place.



## Next Steps Determine Ceiling Installation Type

**Option 1: You purchased LUSA™ New Construction or Remodel housing.** Refer to the installation instructions provided within your housing packaging or scan the corresponding QR code below.



New Construction  
with Bar Hangers  
Installation Video



Remodel  
Installation Video

**Option 2: You are installing into an existing housing.** Follow Retrofit Installation instructions below.

## Retrofit Installation

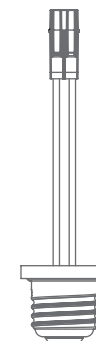


To watch our Retrofit  
installation video,  
scan the QR code.

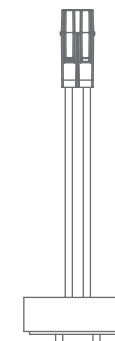
- 1. Check your existing housing for compatibility.** LUSA™ Module and Trim must be used with an existing recessed lighting housing with a nominal interior diameter of 4" and minimum depth of 3 1/2". Trim will cover a 4 3/4" opening.
- 2. If necessary, attach the appropriate connector to the existing housing**



IDEAL  
Adapter  
Male-Male

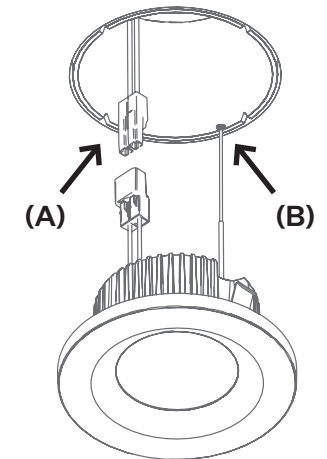


Edison  
Adapter

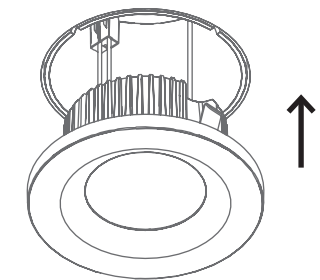


GU-24  
Adapter

- 3. Connect the module to the male IDEAL connector (A) and attach the green ground wire (factory installed) to the housing using the existing screw inside the housing (B).**



- 4. Place the module into the housing and push the trim up until flush with ceiling.**



- 6. Press the trim to the ceiling and rotate up to 1/4 turn to remove any gaps and secure it into place.**

