

measured

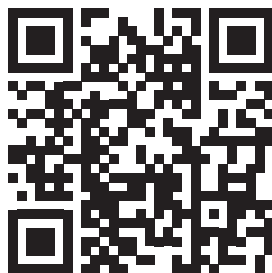
hooray!

your measured blind has arrived

fitting is simple...

follow the instructions or
watch our video guide

measuredblinds.co.uk/pages/videos

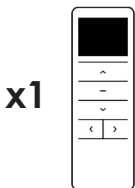
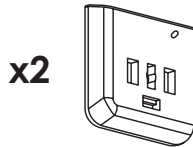
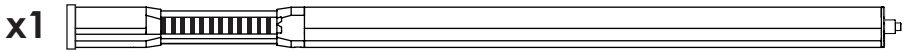


need help? contact us at hello@measuredblinds.co.uk

measured

what's in the box...

before starting, check you have the following items



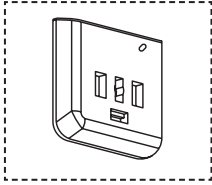
* remote control only included if ordered

do not operate remote at this stage, it will be configured upon receiving your fabric

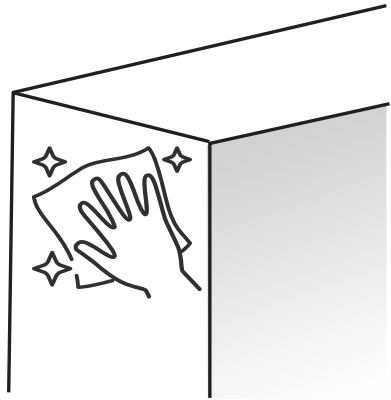
next step >

measured

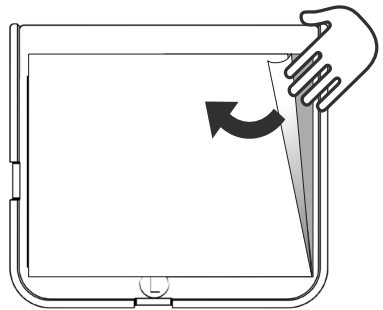
step 1 fit brackets



a. clean the wall
surface using an alcohol
or silicone-free wipe



b. peel the tape
from the back of
each bracket

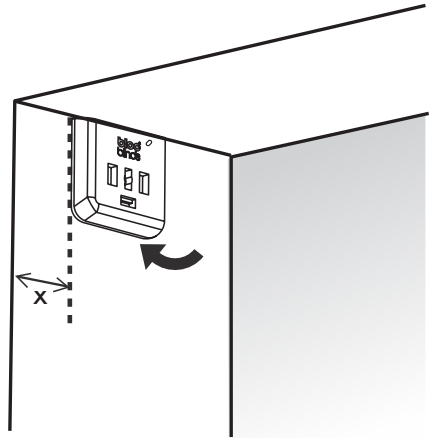


next step >

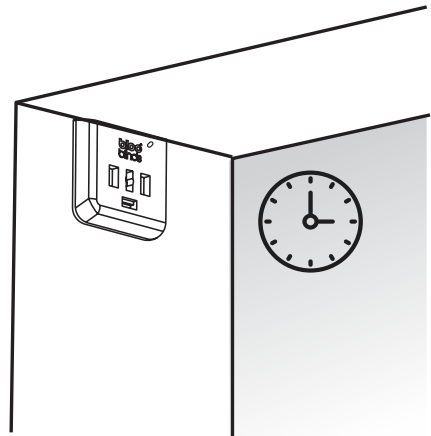
measured

c. stick the bracket
onto each wall, either
side of the window

ensure the distance is
equal on both sides



d. wait 72 hours
for the adhesive tape
to bond to the wall,
before continuing



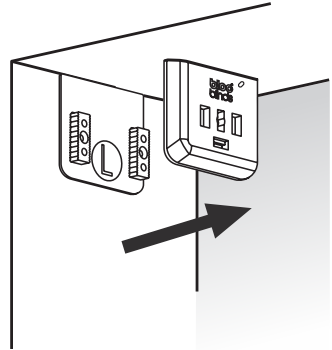
next step >

measured

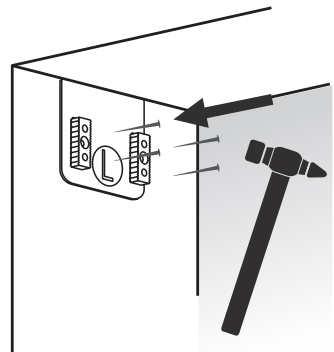
e. secure with nails (optional step)



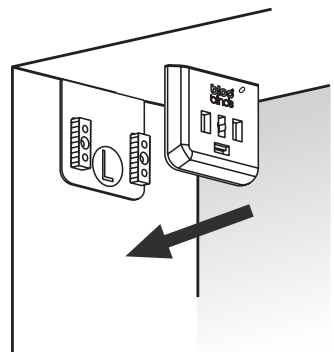
i) remove the adjustable cover from the bracket



ii) secure the bracket using 4 of the nails provided



iii) re-fit the adjustable cover onto the bracket

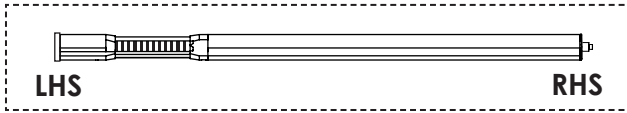


repeat for the other bracket

next step >

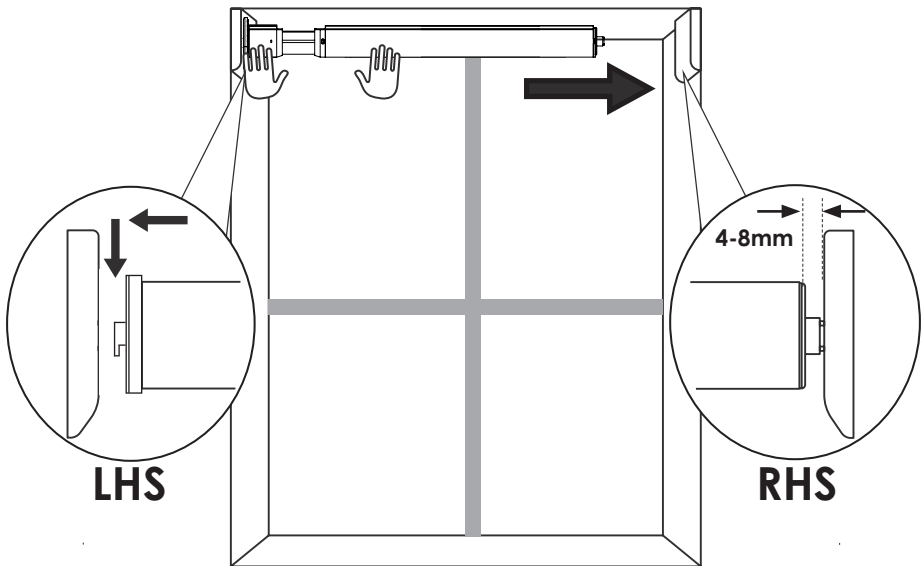
measured

step 2 fit blind



a. set blind into left hand bracket and pull into the right hand bracket

ensure the orientation of the blind is as shown below

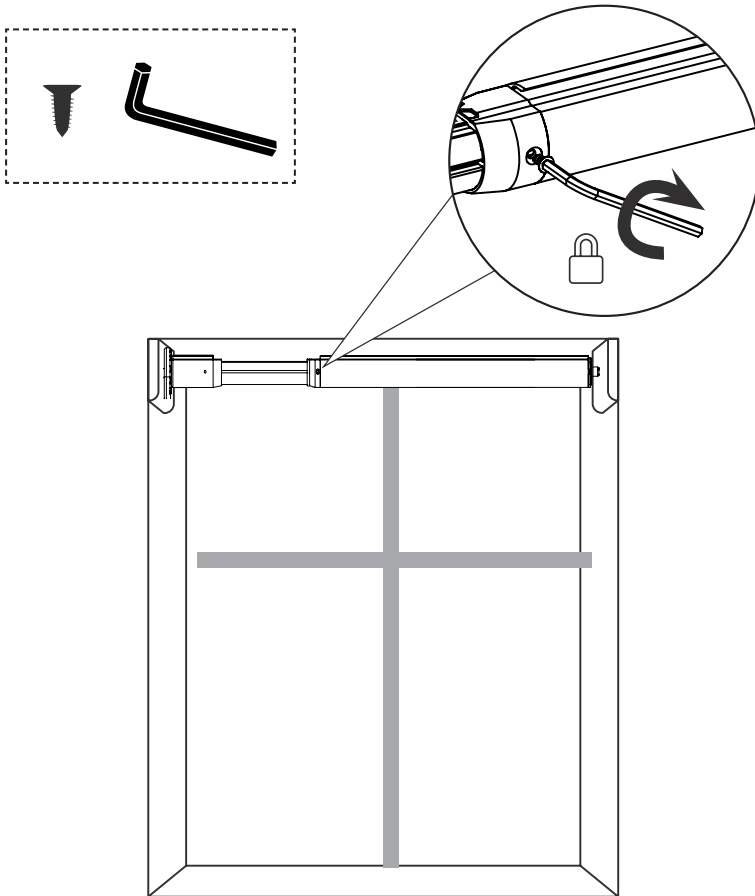


next step >

measured

b. lock blind in place

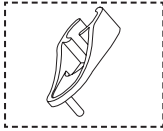
by inserting the screw and tightening as much as possible with the allen key



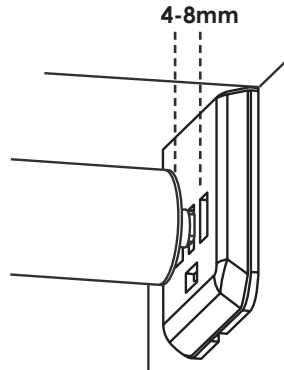
next step >

measured

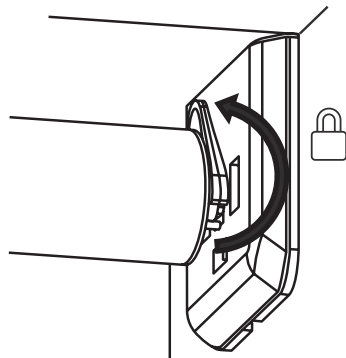
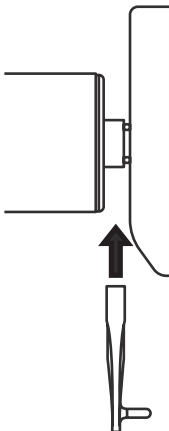
c. lock right bracket



- i) select the appropriate size of clip for the space between your blind and the bracket



- ii) insert the clip and turn upwards to lock into position

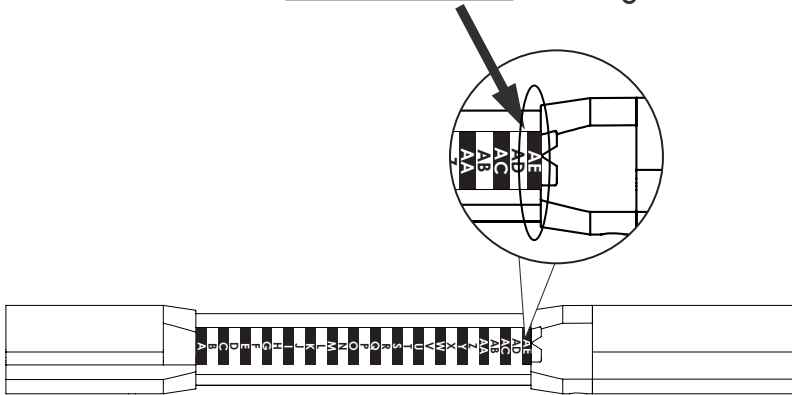


next step >

measured

step 3 order fabric

a. take a note of the **two letter code** showing on the blind



b. go to measuredblinds.co.uk/products/fabric and follow the steps to order your custom made fabric

