



# Product specification

Brightness sensor

**HD-S107**

V3.0 20210703

HD-S107 is a brightness sensor, which is connected to the LED display control system, so that the brightness of the LED display changes with the brightness of the surrounding environment.

## Technical Parameters :

parameter list	
Working temperature	-25~85℃
Brightness range	1%~100%
Sensitivity-high\medium\low	Get data once in 5s\10s\15s
Standard wiring length	1500mm

## Light Sensor Probe :



光感主体



防水胶垫



六角螺丝

## Connection Cable :

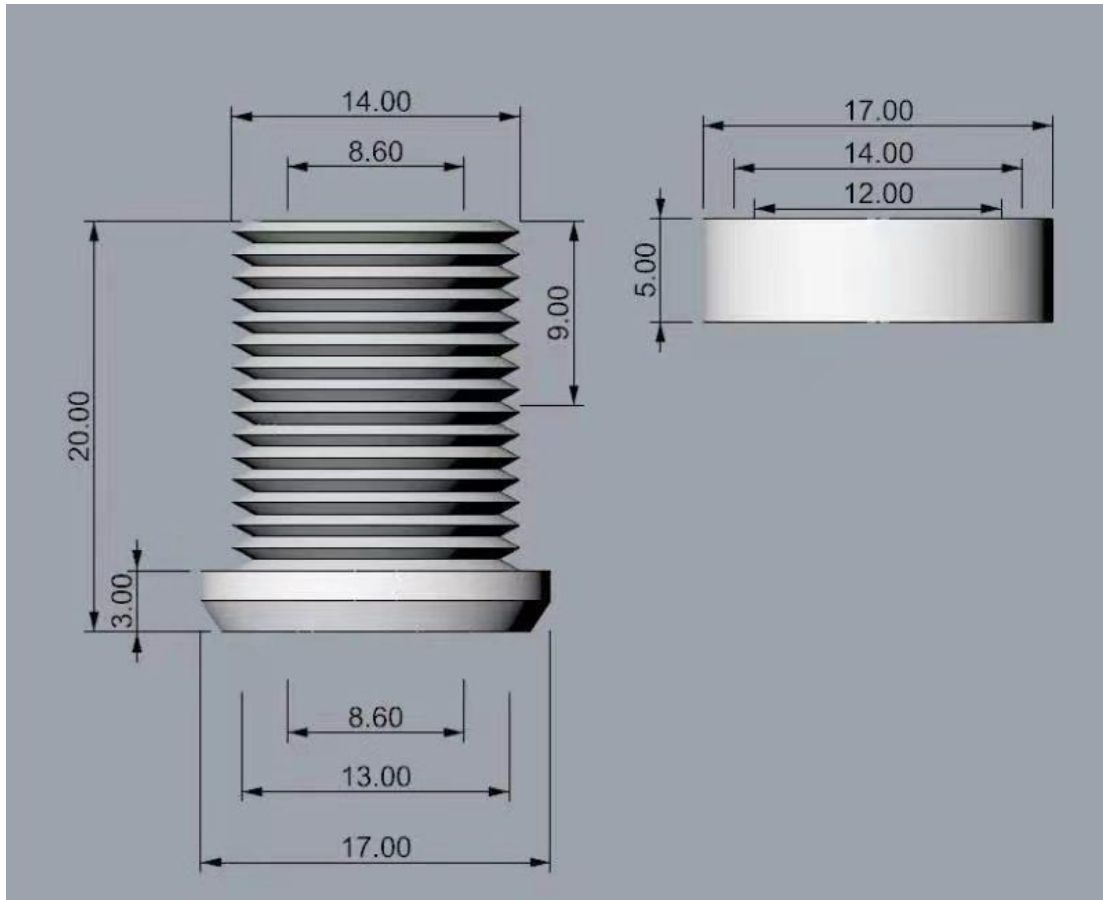


播放盒专用

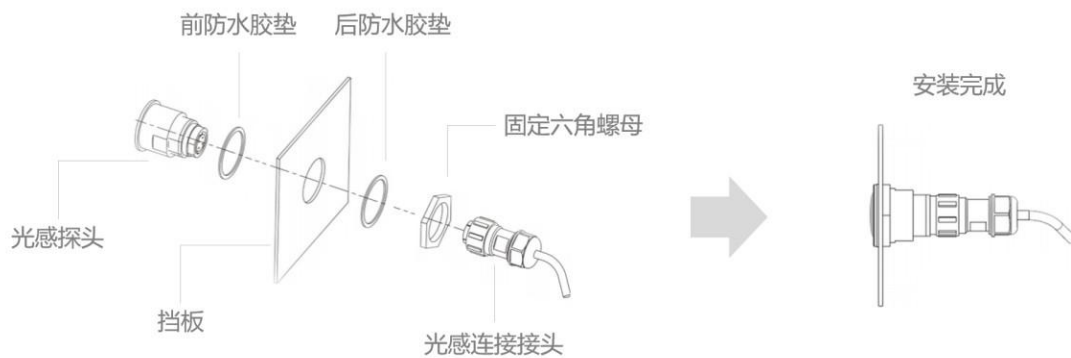


控制卡专用

## Size :



## Installation Diagram :



### Installation Notes :

1. Remove the washer, nut and connecting wire from S107;
2. Before installing the waterproof rubber gasket, put the light sensor probe into the fixed installation hole opened in the box, and screw the rubber ring and nut in turn;

3. Install the connecting line: connect the one end of the wiring with aviation head XS10JK-4P/Y female connector and the aviation connector XS10JK-4P/Y- male connector on S107 (note: the interface has a foolproof bayonet design, please align it and insert it);
4. Connect the other end of the cable to the sensor of the playback box or control card to connect it correctly.

Shenzhen Huidu Technology Co., Ltd