

- 1 cylinder
- 224 cm³
- 3,5 kW/4,8 HP
- 3600 r.p.m.
- Nm 10,4@2400

Available homologation

- ECE R 24 ▲

Construction

- 4 -stroke air cooled diesel engine.
- Conical power take-off on crankshaft.
- Anticlockwise rotation.
- Direct injection.
- Forced lubrication with oil pump.
- Centrifugal mass governor.
- Built-in full flow oil filter.
- Oil breathing blow-by with safety device.
- Automatic extra fuel starting device.
- Self bleeding fuel system.
- Torque regulator.
- Automatic compression release.
- Die-cast aluminium crankcase with integral cast iron cylinder liner.
- Aluminium alloy cylinder head.
- Built-in rigid feet.
- 3 years warranty.

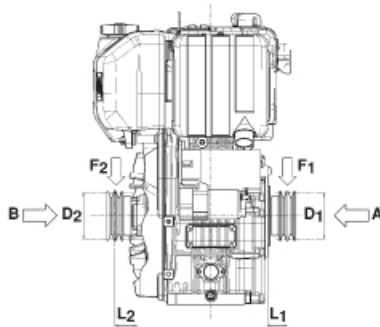


Applications

- Two-wheel tractor
- Agricultural mower
- Agricultural pump
- High pressure cleaner
- Generating set
- Vibrating plate

Specifications

Cylinders	N.	1
Displacement	cm ³	224
Bore	mm	69
Stroke	mm	60
Compression ratio		21:1
Rating kW/HP	N (80/1269/CEE) ISO 1585	3,5/4,8
	NB ISO 3046 IFN	3,3/4,5
	NA ISO 3046 ICXN	3,1/4,2
Max. torque	Nm	10,4@2400
Min. idling speed		950±1000
Fuel tank capacity	l	3
Oil consumption	kg/h.	0,0021
Oil sump capacity	l	0,9
Min. allowable oil pressure	bar	1±1,5
Max. allowable inclination for:		
- short periods of operation (max. time 30 minutes)		25°
- peak values (max. time 1 minute)		35°
Cap. of air required for correct combustion @ 3600 r.p.m.	l/min.	350
Cap. of air required for correct cooling @ 3600 r.p.m.	l/min.	3800
Dry weight	kg	28
Recommended battery	V/Ah	12/36
Minimum pulley diameters for belt drive		



$$D_2 \text{ (mm)} \geq 740 [90+L_2 \text{ (mm)}] \frac{N \text{ (kW)}}{n \text{ (RPM)}}$$

$$D_1 \text{ (mm)} \geq 820 [55+L_1 \text{ (mm)}] \frac{N \text{ (kW)}}{n \text{ (RPM)}}$$

Max. intermittent axial load in both directions A-B = 150 kg

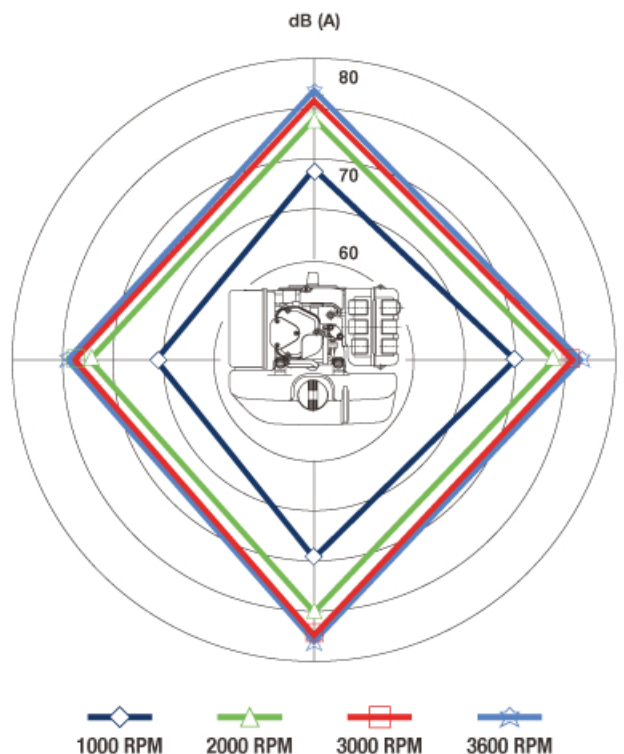
$$F_2 \text{ (N)} \leq \frac{77000}{90 + L_2 \text{ (mm)}}$$

$$F_1 \text{ (N)} \leq \frac{70000}{55 + L_1 \text{ (mm)}}$$

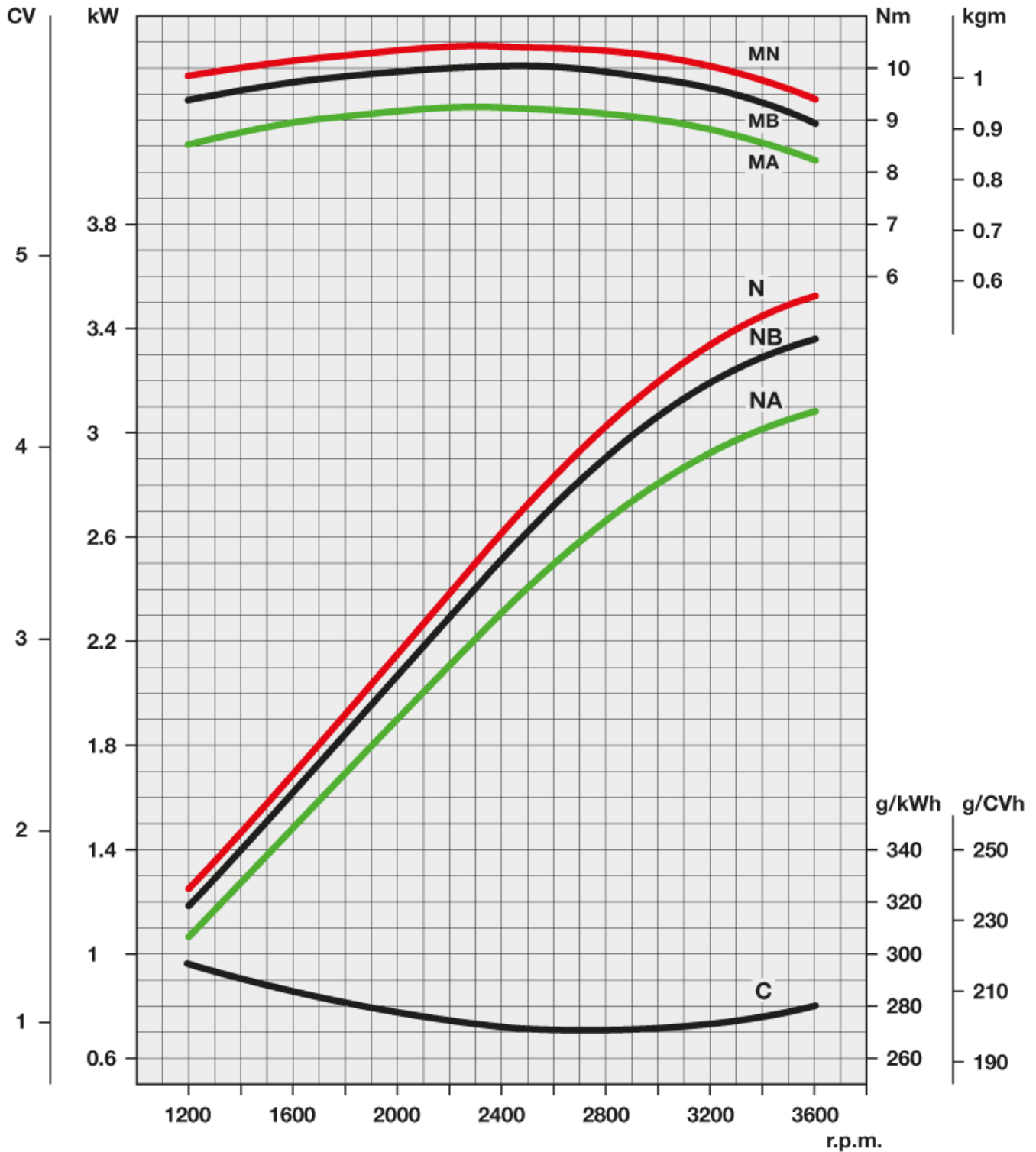
Maximum radial force on pulley for belt drive

Sound pressure level dB (A)

Sound level polar diagram open field - 7 meters microphone - no load running engine.



Curves KD225 ▲



N Power curve - 80/1269/CEE - ISO 1585 -

NB Power curve - ISO 3046 - IFN -

NA Power curve - ISO 3046 - ICXN -

MN Torque curve - (N curve)

MB (NB curve) - **MA** (NA curve)

C Specific fuel consumption - (NB curve)

Power ratings refer to engines equipt with air filter, standard muffler, after being run in and in ambient conditions of 20°C and 1 bar. Power levels drop by 1% every 100m altitude and by 2% every 5°C above 20°C.

