

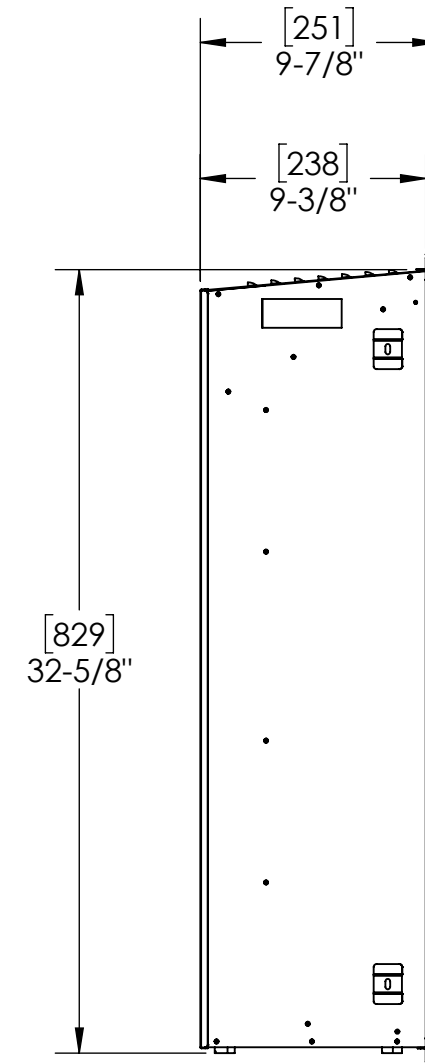
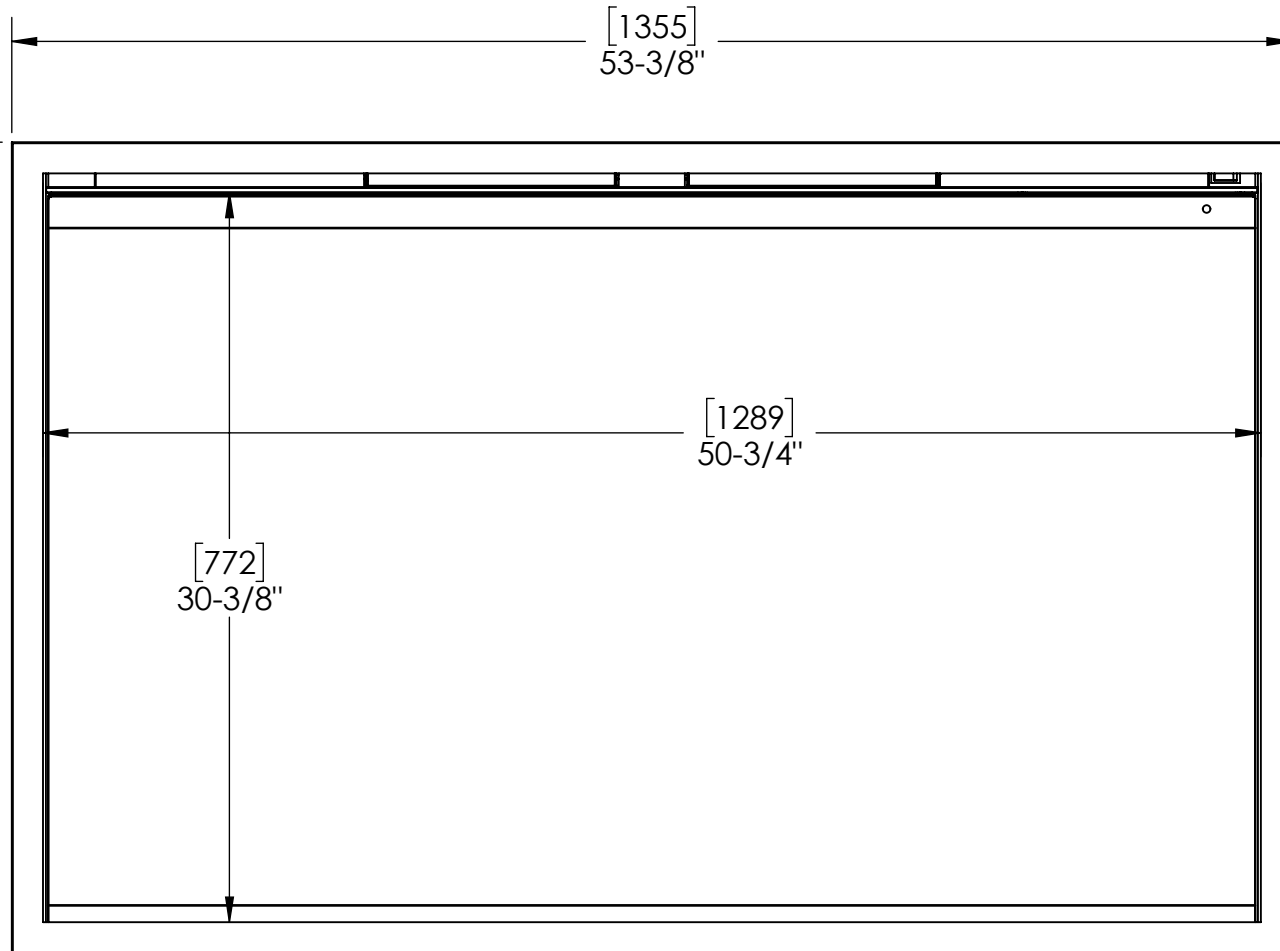
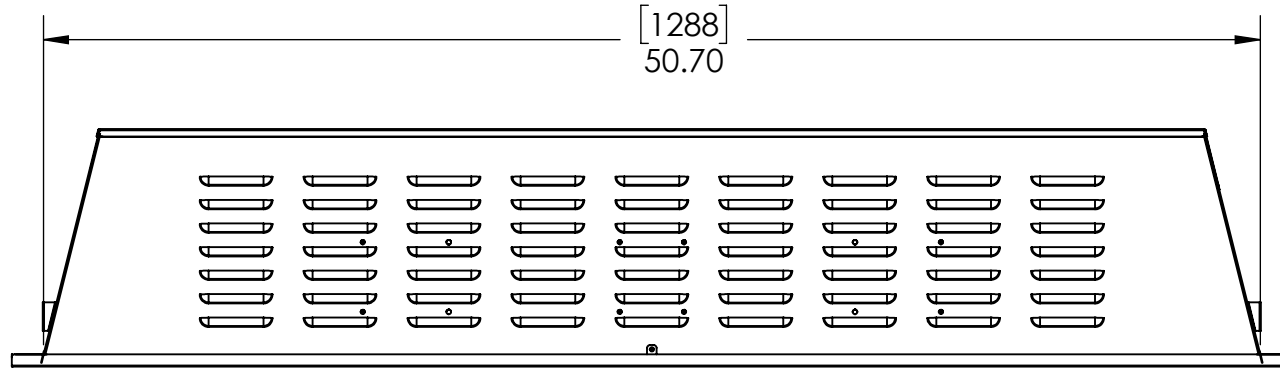
4

3

2

1

REVISIONS				
ZONE	REV.	DESCRIPTION	DATE	APPROVED



UNLESS OTHERWISE SPECIFIED:		NAME	DATE	RPG BRANDS	
DIMENSIONS ARE IN INCHES TOLERANCES: FRACTIONAL ± ANGULAR: MACH ±1° BEND ±1° TWO PLACE DECIMAL ±.010 THREE PLACE DECIMAL ±.005		DRAWN			
INTERPRET GEOMETRIC TOLERANCING PER:		CHECKED		SIZE DWG. NO. REV B OR54-TRAD	
MATERIAL		ENG APPR.			SCALE: 1:8 WEIGHT: SHEET 1 OF 1
FINISH		MFG APPR.			
DO NOT SCALE DRAWING		Q.A.		PROPRIETARY AND CONFIDENTIAL THE INFORMATION CONTAINED IN THIS DRAWING IS THE SOLE PROPERTY OF RICHARDSON'S PRODUCT GROUP. ANY REPRODUCTION IN PART OR AS A WHOLE WITHOUT THE WRITTEN PERMISSION OF RICHARDSON'S PRODUCT GROUP IS PROHIBITED.	

4

3

2

1

B

B

A

A

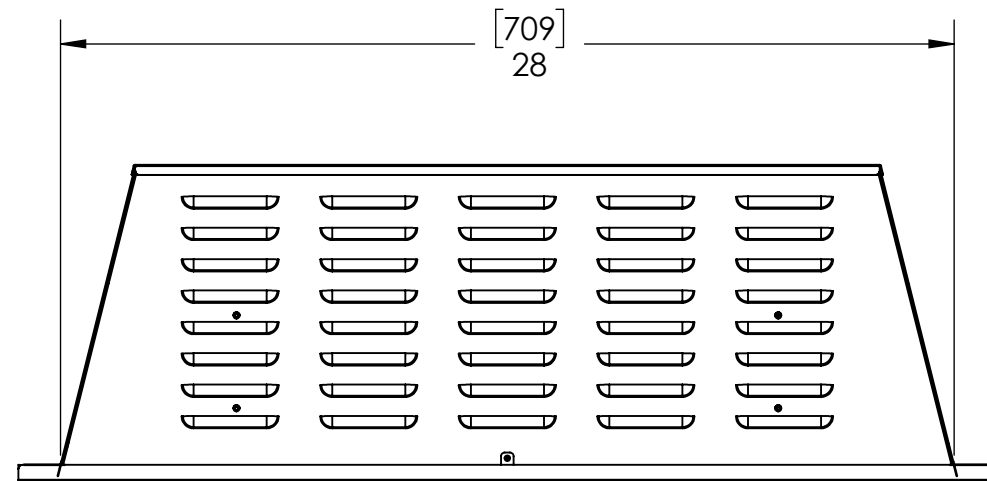
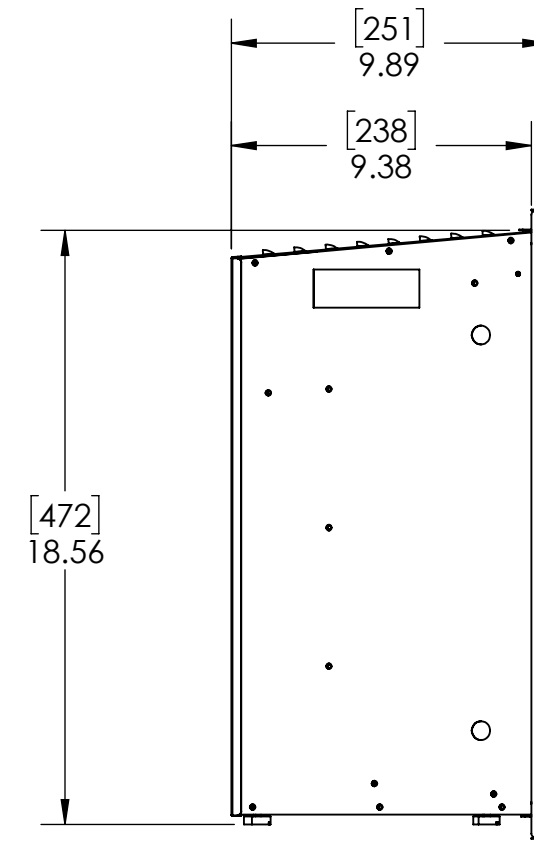
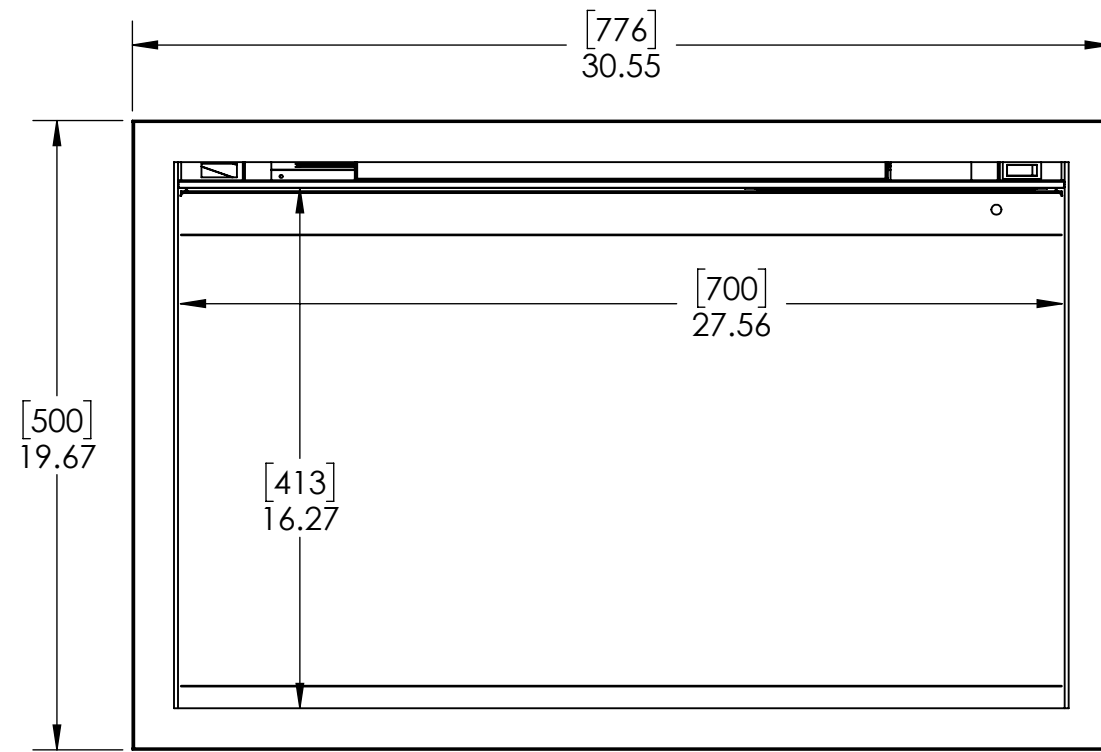
4

3

2

1

REVISIONS				
ZONE	REV.	DESCRIPTION	DATE	APPROVED



UNLESS OTHERWISE SPECIFIED:		NAME	DATE	RPG BRANDS			
DIMENSIONS ARE IN INCHES		DRAWN	D.FASZER			1/23/23	
TOLERANCES:		CHECKED			TITLE: 30" ORION TRADITIONAL		
FRACTIONAL ±		ENG APPR.					
ANGULAR: MACH ±1° BEND ±1°		MFG APPR.					
TWO PLACE DECIMAL ±.010		Q.A.					
THREE PLACE DECIMAL ±.005		PROPRIETARY AND CONFIDENTIAL			SIZE		
INTERPRET GEOMETRIC TOLERANCING PER:		THE INFORMATION CONTAINED IN THIS DRAWING IS THE SOLE PROPERTY OF RICHARDSON'S PRODUCT GROUP. ANY REPRODUCTION IN PART OR AS A WHOLE WITHOUT THE WRITTEN PERMISSION OF RICHARDSON'S PRODUCT GROUP IS PROHIBITED.			DWG. NO.		
MATERIAL					B	30-TRAD	REV
FINISH							X01
DO NOT SCALE DRAWING					SCALE: 1:6	WEIGHT:	SHEET 1 OF 1

4

3

2

1

B

B

A

A

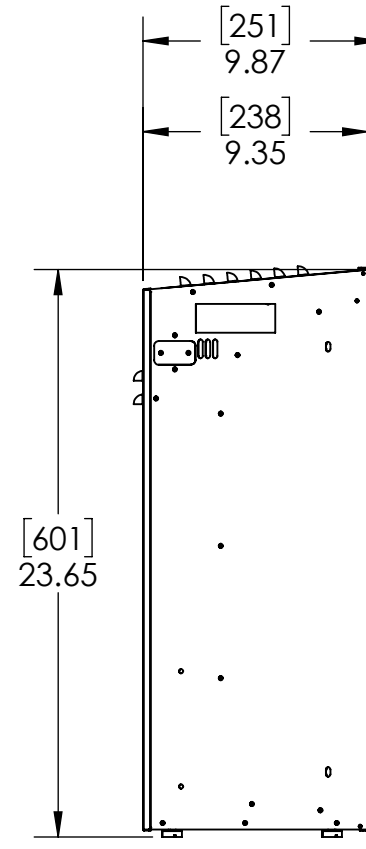
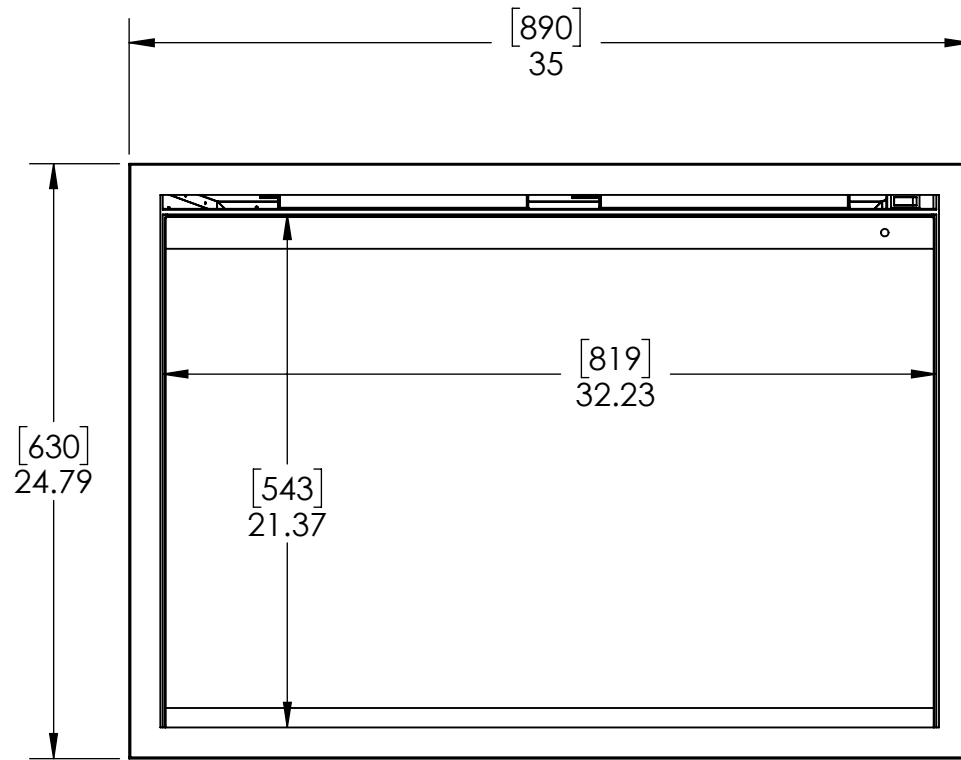
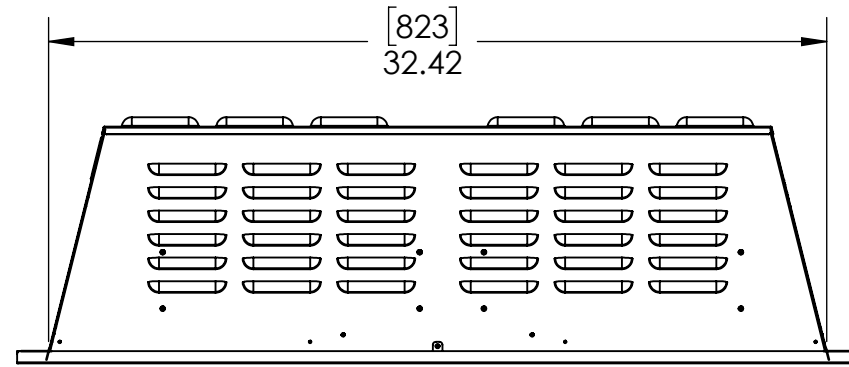
4

3

2

1

REVISIONS				
ZONE	REV.	DESCRIPTION	DATE	APPROVED



UNLESS OTHERWISE SPECIFIED:		NAME	DATE	RPG BRANDS			
DIMENSIONS ARE IN INCHES		DRAWN	D.FASZER			1/23/23	
TOLERANCES:		CHECKED			TITLE: 36" ORION TRADITIONAL		
FRACTIONAL ±		ENG APPR.					
ANGULAR: MACH ±1° BEND ±1°		MFG APPR.					
TWO PLACE DECIMAL ±.010		Q.A.					
THREE PLACE DECIMAL ±.005		PROPRIETARY AND CONFIDENTIAL THE INFORMATION CONTAINED IN THIS DRAWING IS THE SOLE PROPERTY OF RICHARDSON'S PRODUCT GROUP. ANY REPRODUCTION IN PART OR AS A WHOLE WITHOUT THE WRITTEN PERMISSION OF RICHARDSON'S PRODUCT GROUP IS PROHIBITED.			SIZE	DWG. NO.	REV
INTERPRET GEOMETRIC TOLERANCING PER:					B	36-TRAD	X01
MATERIAL					SCALE: 1:8	WEIGHT:	SHEET 1 OF 1
FINISH							
DO NOT SCALE DRAWING							

4

3

2

1

B

B

A

A

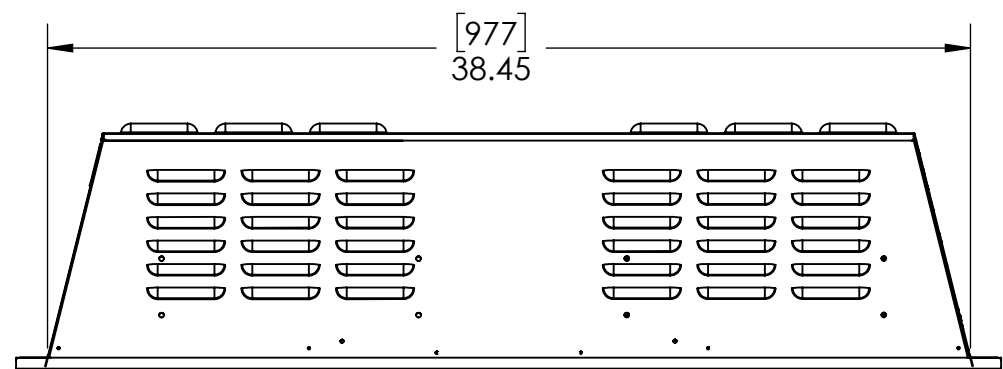
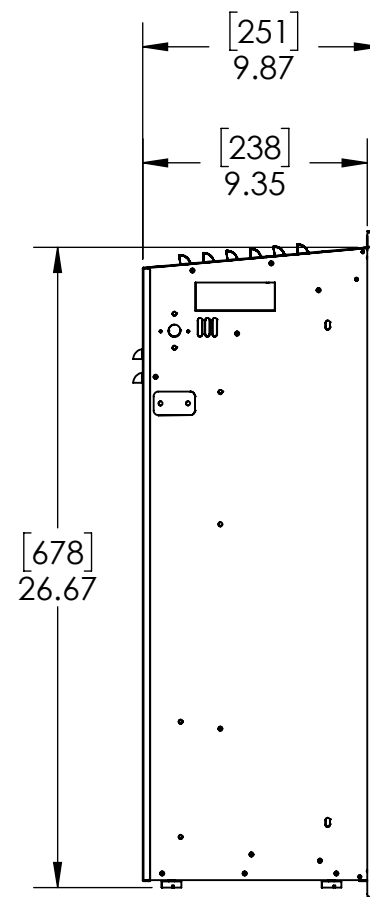
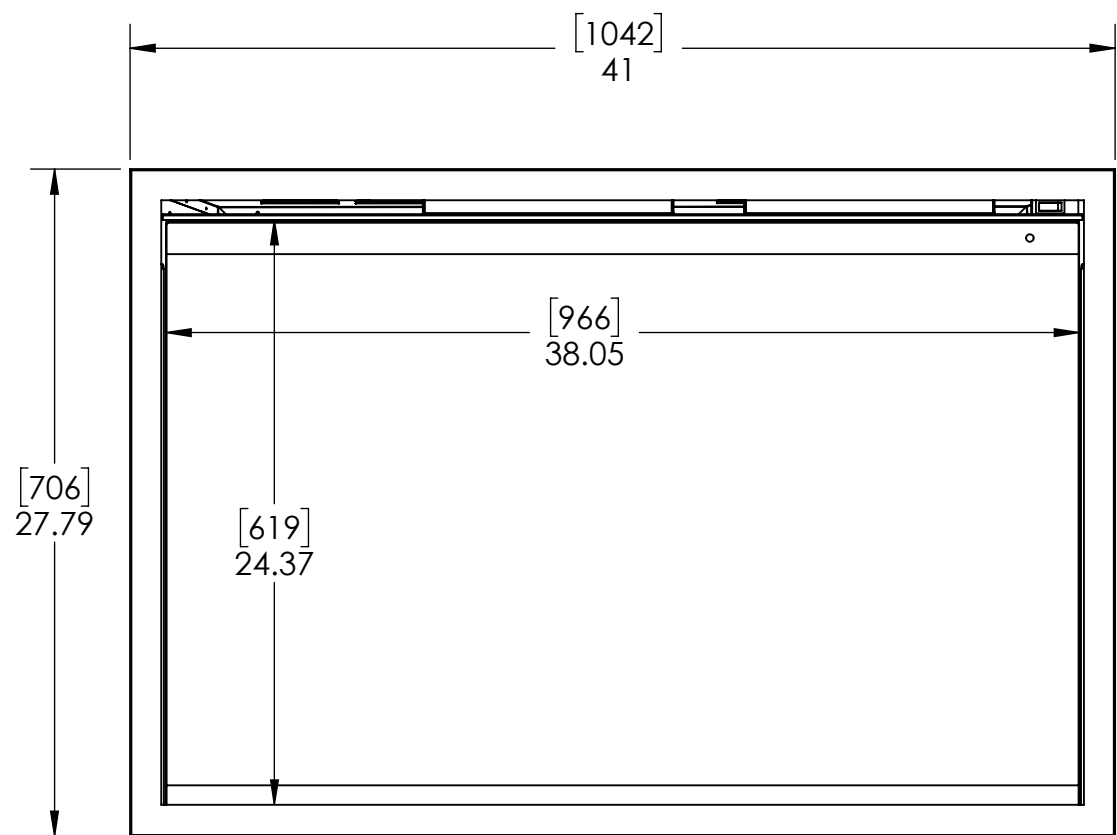
4

3

2

1

REVISIONS				
ZONE	REV.	DESCRIPTION	DATE	APPROVED



UNLESS OTHERWISE SPECIFIED: DIMENSIONS ARE IN INCHES TOLERANCES: FRACTIONAL ± ANGULAR: MACH ±1° BEND ±1° TWO PLACE DECIMAL ±.010 THREE PLACE DECIMAL ±.005 INTERPRET GEOMETRIC TOLERANCING PER: MATERIAL FINISH DO NOT SCALE DRAWING	NAME	DATE	RPG BRANDS TITLE: 42" ORION TRADITIONAL		
	DRAWN	D.FASZER			1/23/23
	CHECKED				
	ENG APPR.				
	MFG APPR.				
	Q.A.				
	PROPRIETARY AND CONFIDENTIAL THE INFORMATION CONTAINED IN THIS DRAWING IS THE SOLE PROPERTY OF RICHARDSON'S PRODUCT GROUP. ANY REPRODUCTION IN PART OR AS A WHOLE WITHOUT THE WRITTEN PERMISSION OF RICHARDSON'S PRODUCT GROUP IS PROHIBITED.		SIZE	DWG. NO.	REV
			B	42-TRAD	X01
			SCALE: 1:8	WEIGHT:	SHEET 1 OF 1

4

3

2

1

B

B

A

A

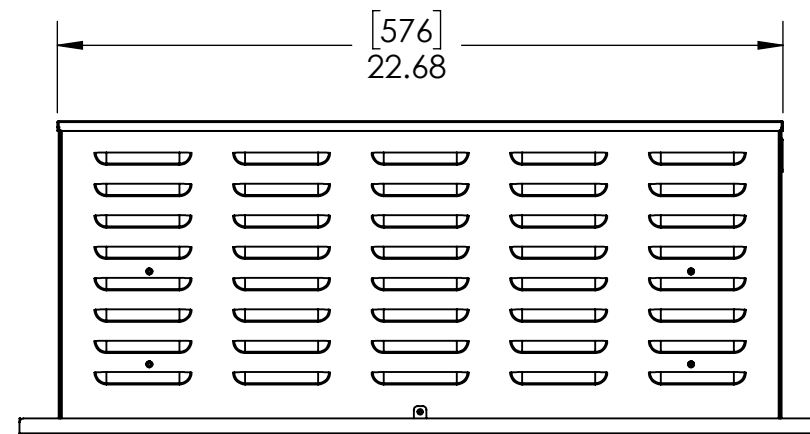
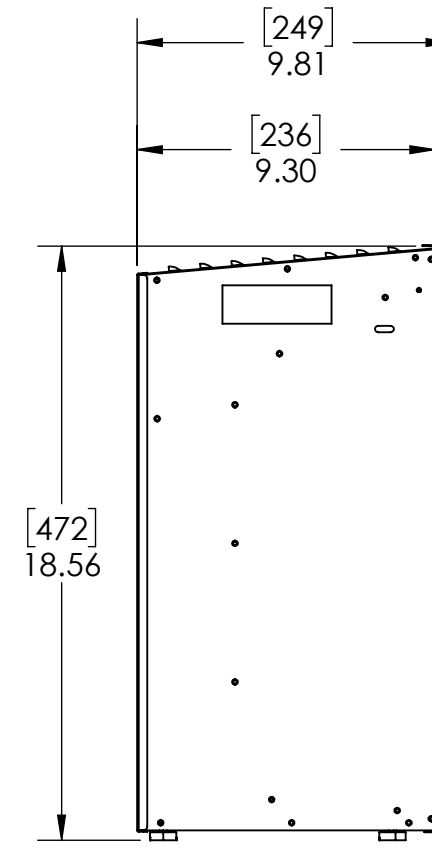
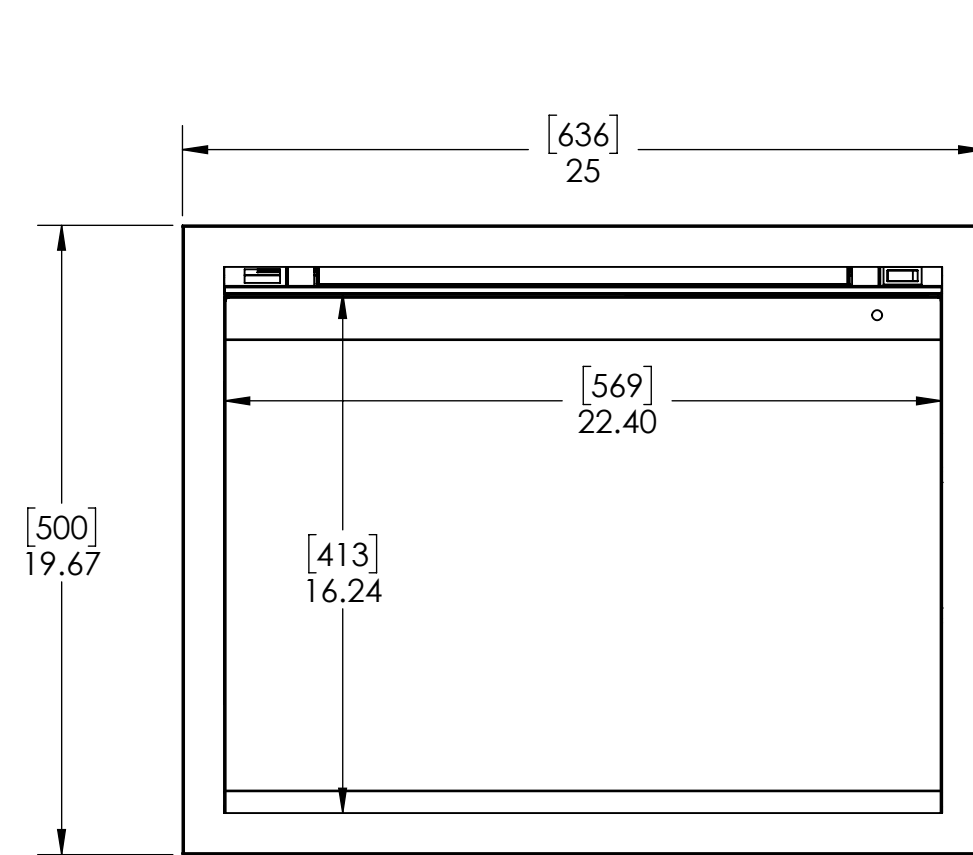
4

3

2

1

REVISIONS				
ZONE	REV.	DESCRIPTION	DATE	APPROVED



UNLESS OTHERWISE SPECIFIED:		NAME	DATE	RPG BRANDS	
DIMENSIONS ARE IN INCHES		DRAWN	D.FASZER		
TOLERANCES:		CHECKED			TITLE: 26" ORION TRADITIONAL
FRACTIONAL ±		ENG APPR.			
ANGULAR: MACH ±1° BEND ±1°		MFG APPR.			
TWO PLACE DECIMAL ±.010		Q.A.			
THREE PLACE DECIMAL ±.005		PROPRIETARY AND CONFIDENTIAL			SIZE
INTERPRET GEOMETRIC TOLERANCING PER:		THE INFORMATION CONTAINED IN THIS DRAWING IS THE SOLE PROPERTY OF RICHARDSON'S PRODUCT GROUP. ANY REPRODUCTION IN PART OR AS A WHOLE WITHOUT THE WRITTEN PERMISSION OF RICHARDSON'S PRODUCT GROUP IS PROHIBITED.			DWG. NO.
MATERIAL					B
FINISH					OR26-TRAD
DO NOT SCALE DRAWING					REV
					X01
					SCALE: 1:6
					WEIGHT:
					SHEET 1 OF 1

4

3

2

1

B

B

A

A