

4

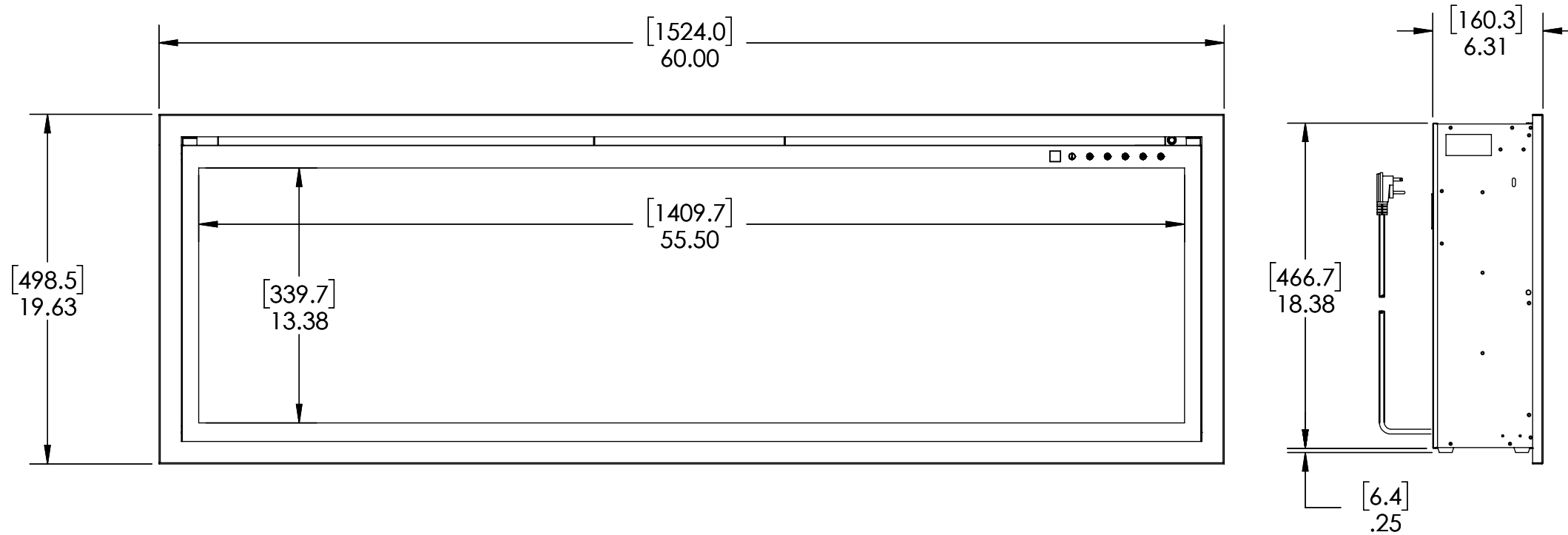
3

2

1

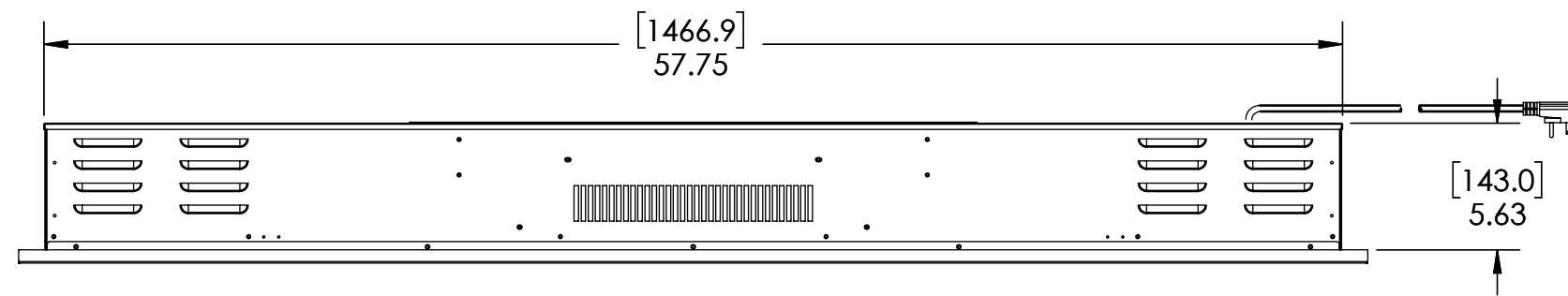
REVISIONS				
ZONE	REV.	DESCRIPTION	DATE	APPROVED

B



B

A



A

UNLESS OTHERWISE SPECIFIED:		NAME	DATE	RPG BRANDS	
DIMENSIONS ARE IN INCHES TOLERANCES: FRACTIONAL ± ANGULAR: MACH ±1° BEND ±1 TWO PLACE DECIMAL ±.010 THREE PLACE DECIMAL ±.005		DRAWN			
INTERPRET GEOMETRIC TOLERANCING PER:		CHECKED		SIZE B DWG. NO. REV	
MATERIAL		ENG APPR.			SCALE: 1:8 WEIGHT: SHEET 1 OF 1
FINISH		MFG APPR.			
DO NOT SCALE DRAWING		Q.A.		<p>PROPRIETARY AND CONFIDENTIAL</p> <p>THE INFORMATION CONTAINED IN THIS DRAWING IS THE SOLE PROPERTY OF RICHARDSON'S PRODUCT GROUP. ANY REPRODUCTION IN PART OR AS A WHOLE WITHOUT THE WRITTEN PERMISSION OF RICHARDSON'S PRODUCT GROUP IS PROHIBITED.</p>	

4

3

2

1

4

3

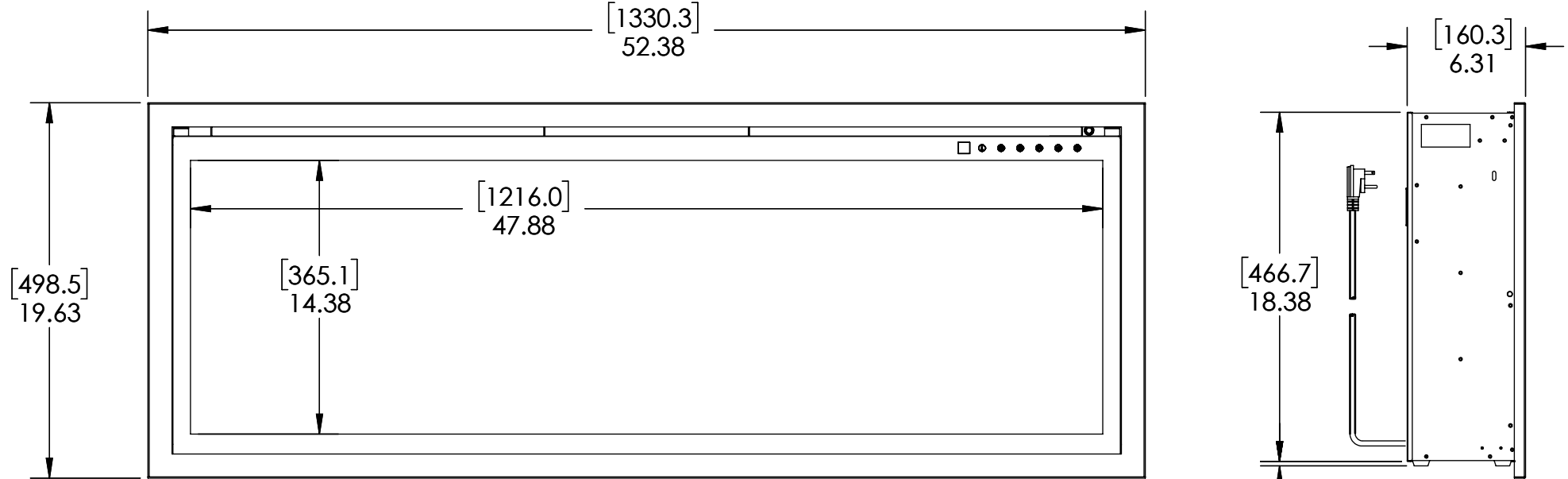
2

1

REVISIONS				
ZONE	REV.	DESCRIPTION	DATE	APPROVED

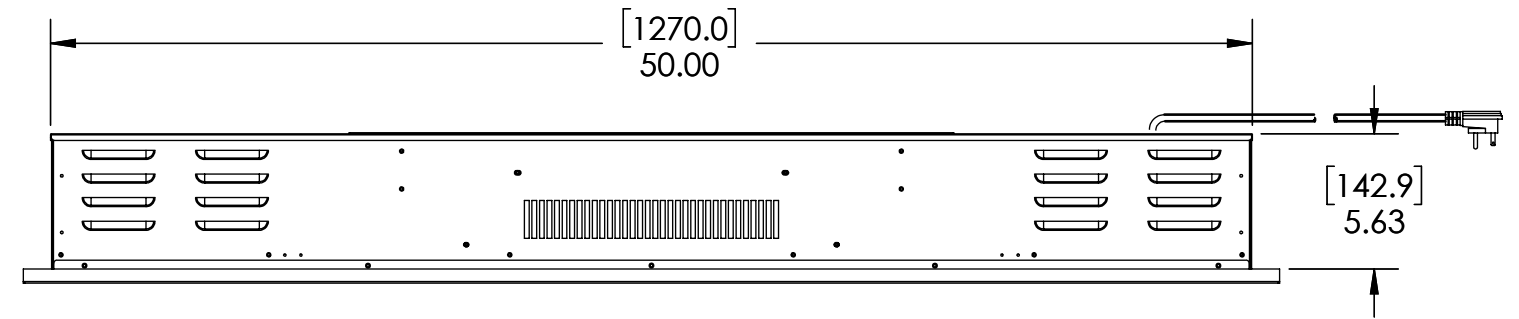
B

B



A

A



4

3

2

1

UNLESS OTHERWISE SPECIFIED:		NAME	DATE	RPG BRANDS	
DIMENSIONS ARE IN INCHES TOLERANCES: FRACTIONAL ± ANGULAR: MACH ±1° BEND ±1 TWO PLACE DECIMAL ±.010 THREE PLACE DECIMAL ±.005		DRAWN			
INTERPRET GEOMETRIC TOLERANCING PER:		CHECKED		SIZE B DWG. NO. REV	
MATERIAL		ENG APPR.			SCALE: 1:8 WEIGHT: SHEET 1 OF 1
FINISH		MFG APPR.			
DO NOT SCALE DRAWING		Q.A.		PROPRIETARY AND CONFIDENTIAL THE INFORMATION CONTAINED IN THIS DRAWING IS THE SOLE PROPERTY OF RICHARDSON'S PRODUCT GROUP. ANY REPRODUCTION IN PART OR AS A WHOLE WITHOUT THE WRITTEN PERMISSION OF RICHARDSON'S PRODUCT GROUP IS PROHIBITED.	

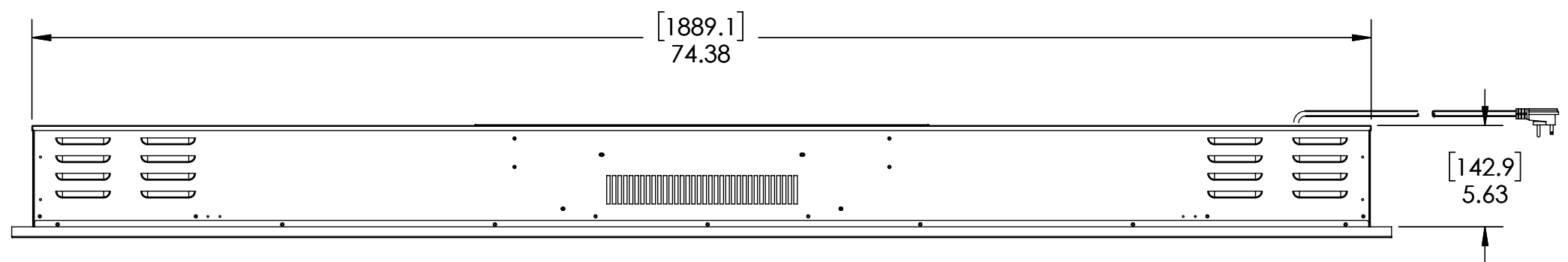
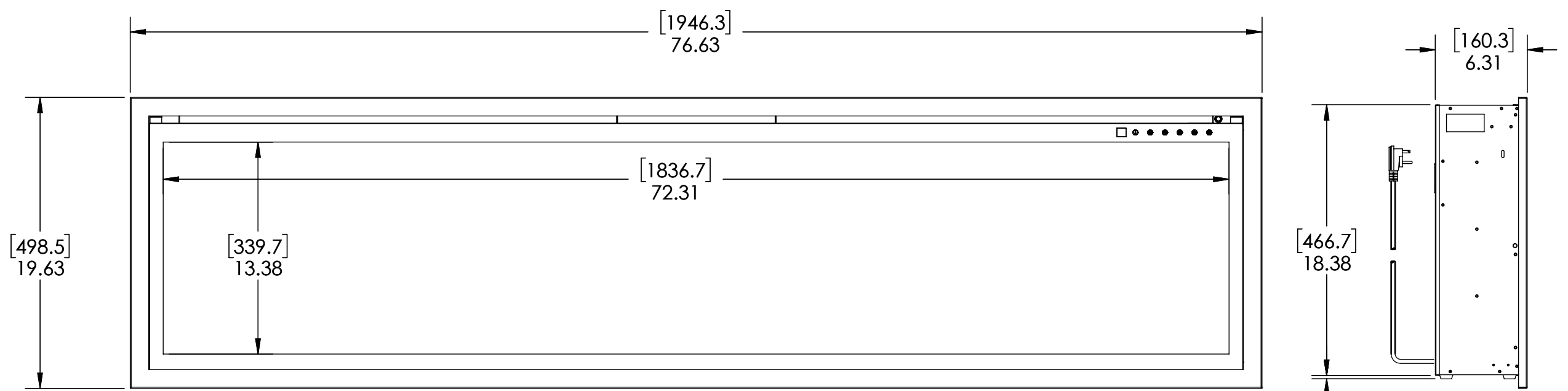
4

3

2

1

REVISIONS				
ZONE	REV.	DESCRIPTION	DATE	APPROVED



UNLESS OTHERWISE SPECIFIED:		NAME	DATE	RPG BRANDS	
DIMENSIONS ARE IN INCHES TOLERANCES: FRACTIONAL ± ANGULAR: MACH ±1° BEND ±1° TWO PLACE DECIMAL ±.010 THREE PLACE DECIMAL ±.005		DRAWN			
INTERPRET GEOMETRIC TOLERANCING PER:		CHECKED		SIZE	DWG. NO.
MATERIAL		ENG APPR.		B	REV
FINISH		MFG APPR.			
DO NOT SCALE DRAWING		Q.A.		SHEET 1 OF 1	
		PROPRIETARY AND CONFIDENTIAL THE INFORMATION CONTAINED IN THIS DRAWING IS THE SOLE PROPERTY OF RICHARDSON'S PRODUCT GROUP. ANY REPRODUCTION IN PART OR AS A WHOLE WITHOUT THE WRITTEN PERMISSION OF RICHARDSON'S PRODUCT GROUP IS PROHIBITED.			

4

3

2

1

B

B

A

A

4

3

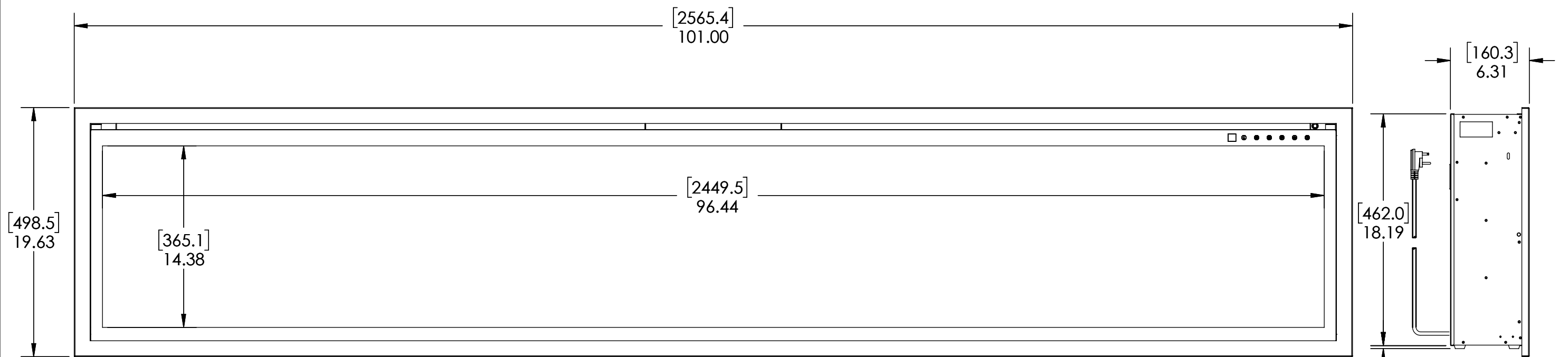
2

1

REVISIONS				
ZONE	REV.	DESCRIPTION	DATE	APPROVED

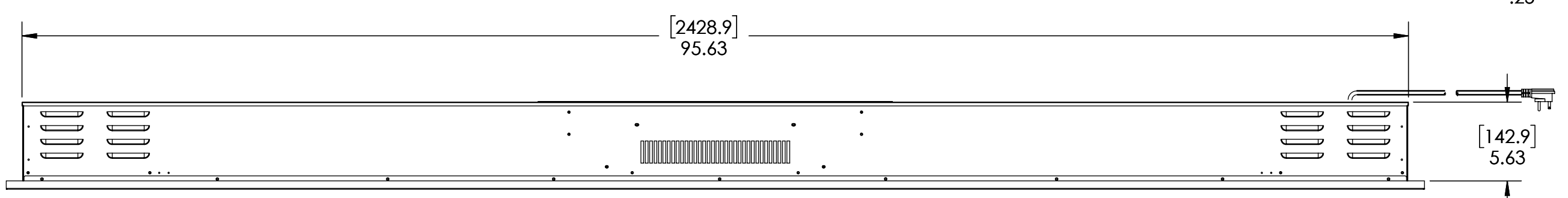
B

B



A

A



UNLESS OTHERWISE SPECIFIED:		NAME	DATE	RPG BRANDS	
DIMENSIONS ARE IN INCHES		DRAWN			
TOLERANCES:		CHECKED		SIZE B	DWG. NO.
FRACTIONAL ±		ENG APPR.			
ANGULAR: MACH ±1° BEND ±1°		MFG APPR.		SCALE: 1:8	WEIGHT:
TWO PLACE DECIMAL ±.010		Q.A.			
THREE PLACE DECIMAL ±.005		PROPRIETARY AND CONFIDENTIAL THE INFORMATION CONTAINED IN THIS DRAWING IS THE SOLE PROPERTY OF RICHARDSON'S PRODUCT GROUP. ANY REPRODUCTION IN PART OR AS A WHOLE WITHOUT THE WRITTEN PERMISSION OF RICHARDSON'S PRODUCT GROUP IS PROHIBITED.			
INTERPRET GEOMETRIC TOLERANCING PER:					
MATERIAL					
FINISH					
DO NOT SCALE DRAWING					

4

3

2

1