

4

3

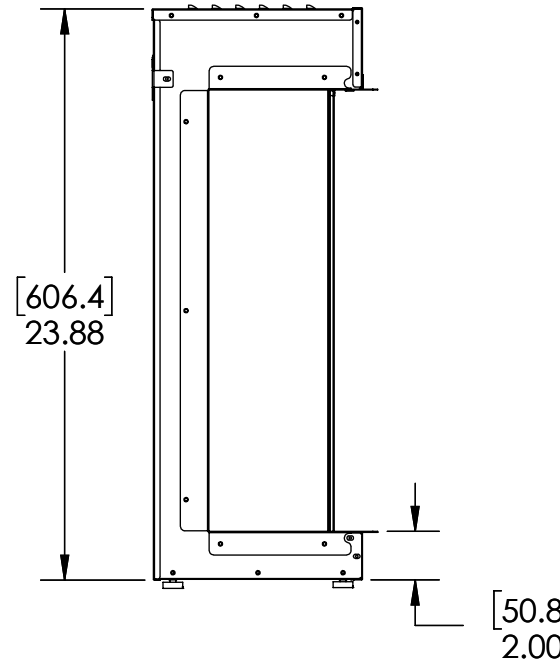
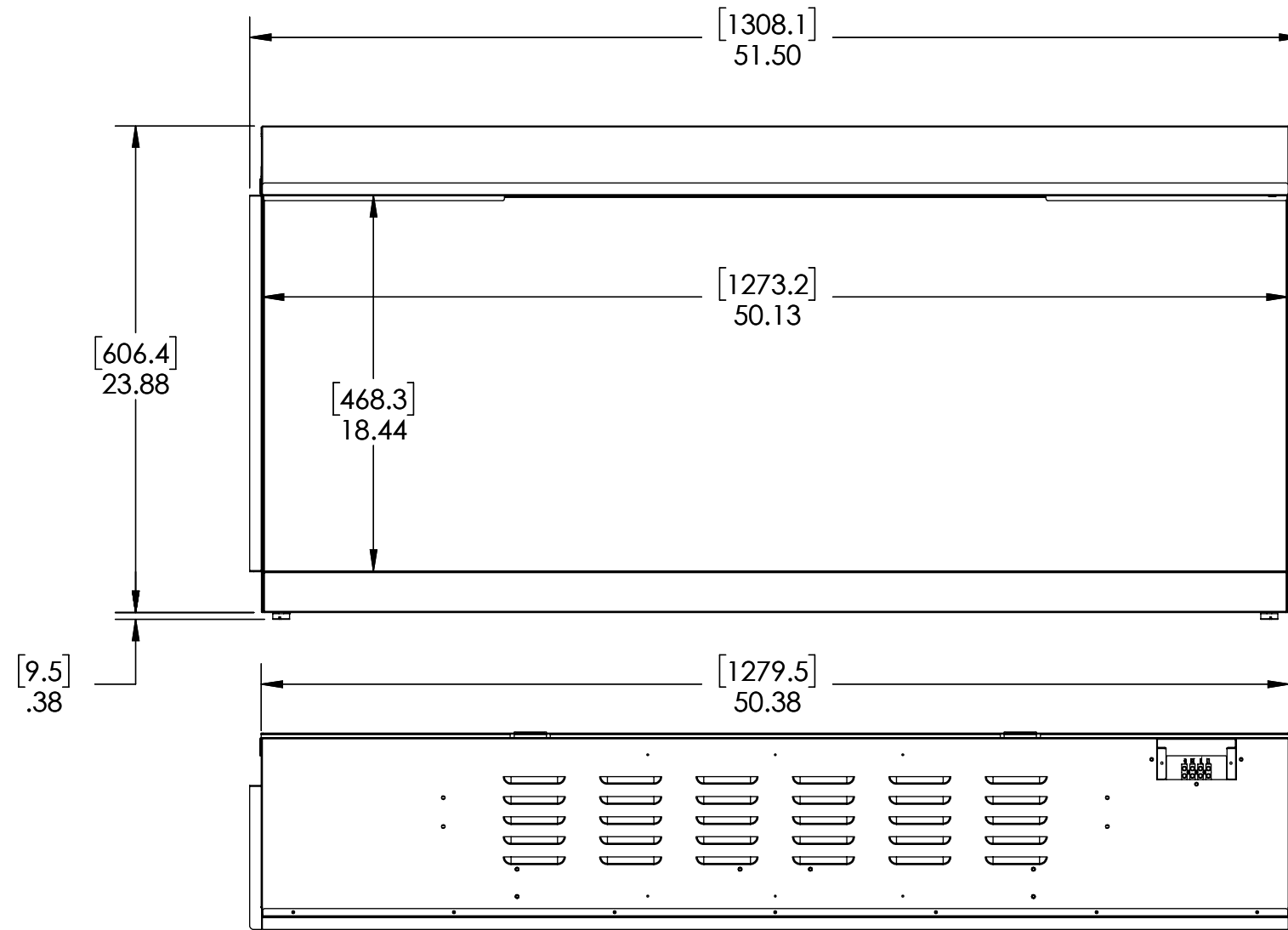
2

1

REVISIONS				
ZONE	REV.	DESCRIPTION	DATE	APPROVED

B

B



[60.3] 2.38

A

A

4

3

2

1

UNLESS OTHERWISE SPECIFIED:		NAME	DATE	RPG BRANDS	
DIMENSIONS ARE IN INCHES TOLERANCES: FRACTIONAL ± ANGULAR: MACH ±1° BEND ±1 TWO PLACE DECIMAL ±.010 THREE PLACE DECIMAL ±.005		DRAWN			
INTERPRET GEOMETRIC TOLERANCING PER:		CHECKED		SIZE B	DWG. NO.
MATERIAL		ENG APPR.			
FINISH		MFG APPR.		SCALE: 1:8 WEIGHT:	
DO NOT SCALE DRAWING		Q.A.		SHEET 1 OF 1	
		PROPRIETARY AND CONFIDENTIAL THE INFORMATION CONTAINED IN THIS DRAWING IS THE SOLE PROPERTY OF RICHARDSON'S PRODUCT GROUP. ANY REPRODUCTION IN PART OR AS A WHOLE WITHOUT THE WRITTEN PERMISSION OF RICHARDSON'S PRODUCT GROUP IS PROHIBITED.			

4

3

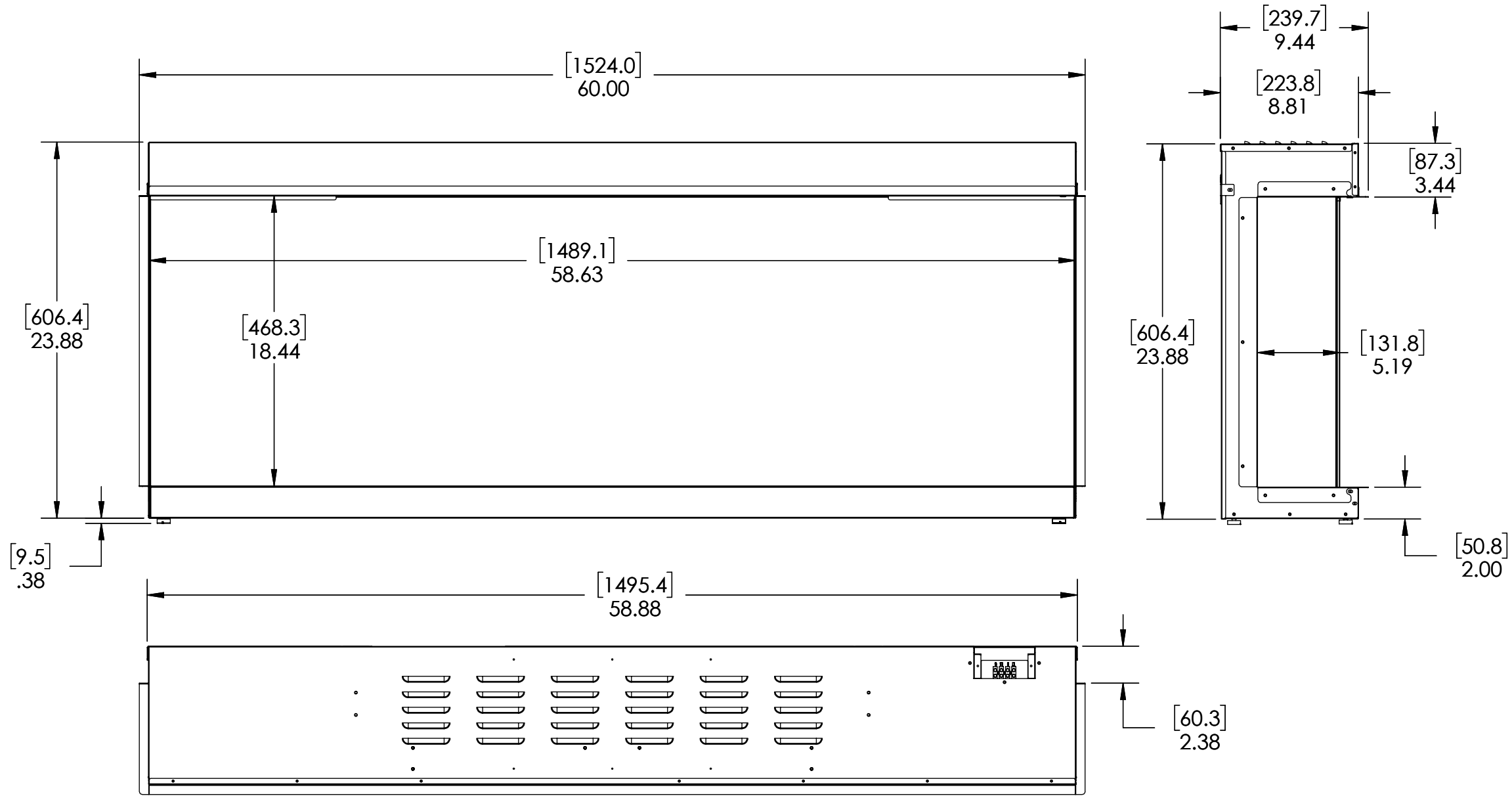
2

1

REVISIONS				
ZONE	REV.	DESCRIPTION	DATE	APPROVED

B

B



A

A

4

3

2

1

UNLESS OTHERWISE SPECIFIED:		NAME	DATE	RPG BRANDS	
DIMENSIONS ARE IN INCHES		DRAWN			
TOLERANCES:		CHECKED		SIZE B	DWG. NO.
FRACTIONAL ±		ENG APPR.			
ANGULAR: MACH ±1° BEND ±1°		MFG APPR.		SCALE: 1:8	WEIGHT:
TWO PLACE DECIMAL ±.010		Q.A.			
THREE PLACE DECIMAL ±.005		PROPRIETARY AND CONFIDENTIAL THE INFORMATION CONTAINED IN THIS DRAWING IS THE SOLE PROPERTY OF RICHARDSON'S PRODUCT GROUP. ANY REPRODUCTION IN PART OR AS A WHOLE WITHOUT THE WRITTEN PERMISSION OF RICHARDSON'S PRODUCT GROUP IS PROHIBITED.			
INTERPRET GEOMETRIC TOLERANCING PER:					
MATERIAL					
FINISH					
DO NOT SCALE DRAWING					

4

3

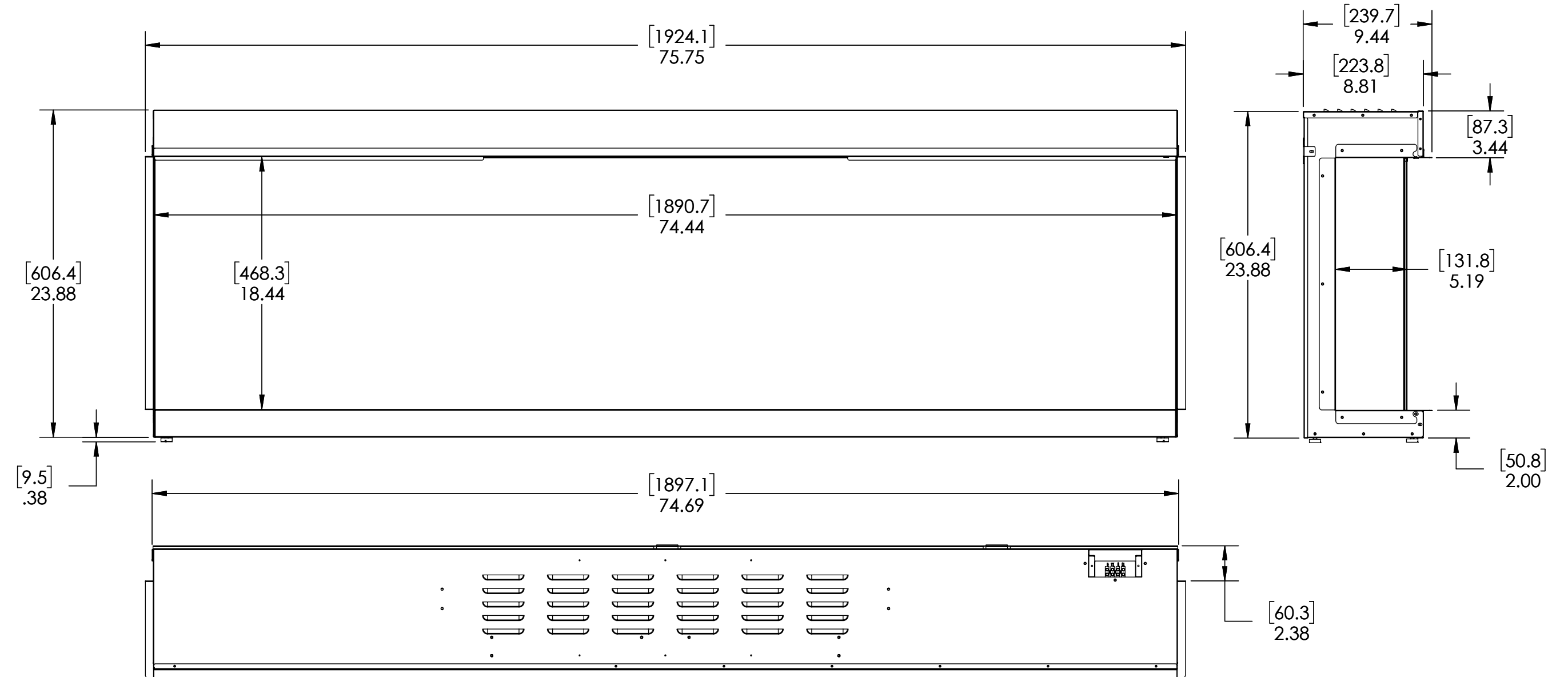
2

1

REVISIONS				
ZONE	REV.	DESCRIPTION	DATE	APPROVED

B

B



A

A

4

3

2

1

UNLESS OTHERWISE SPECIFIED:		NAME	DATE	RPG BRANDS
DIMENSIONS ARE IN INCHES TOLERANCES: FRACTIONAL ± ANGULAR: MACH ±1° BEND ±1 TWO PLACE DECIMAL ±.010 THREE PLACE DECIMAL ±.005		DRAWN		
INTERPRET GEOMETRIC TOLERANCING PER:		CHECKED		SIZE B DWG. NO. REV
MATERIAL		ENG APPR.		
FINISH		MFG APPR.		
DO NOT SCALE DRAWING		Q.A.		
		PROPRIETARY AND CONFIDENTIAL THE INFORMATION CONTAINED IN THIS DRAWING IS THE SOLE PROPERTY OF RICHARDSON'S PRODUCT GROUP. ANY REPRODUCTION IN PART OR AS A WHOLE WITHOUT THE WRITTEN PERMISSION OF RICHARDSON'S PRODUCT GROUP IS PROHIBITED.		

4

3

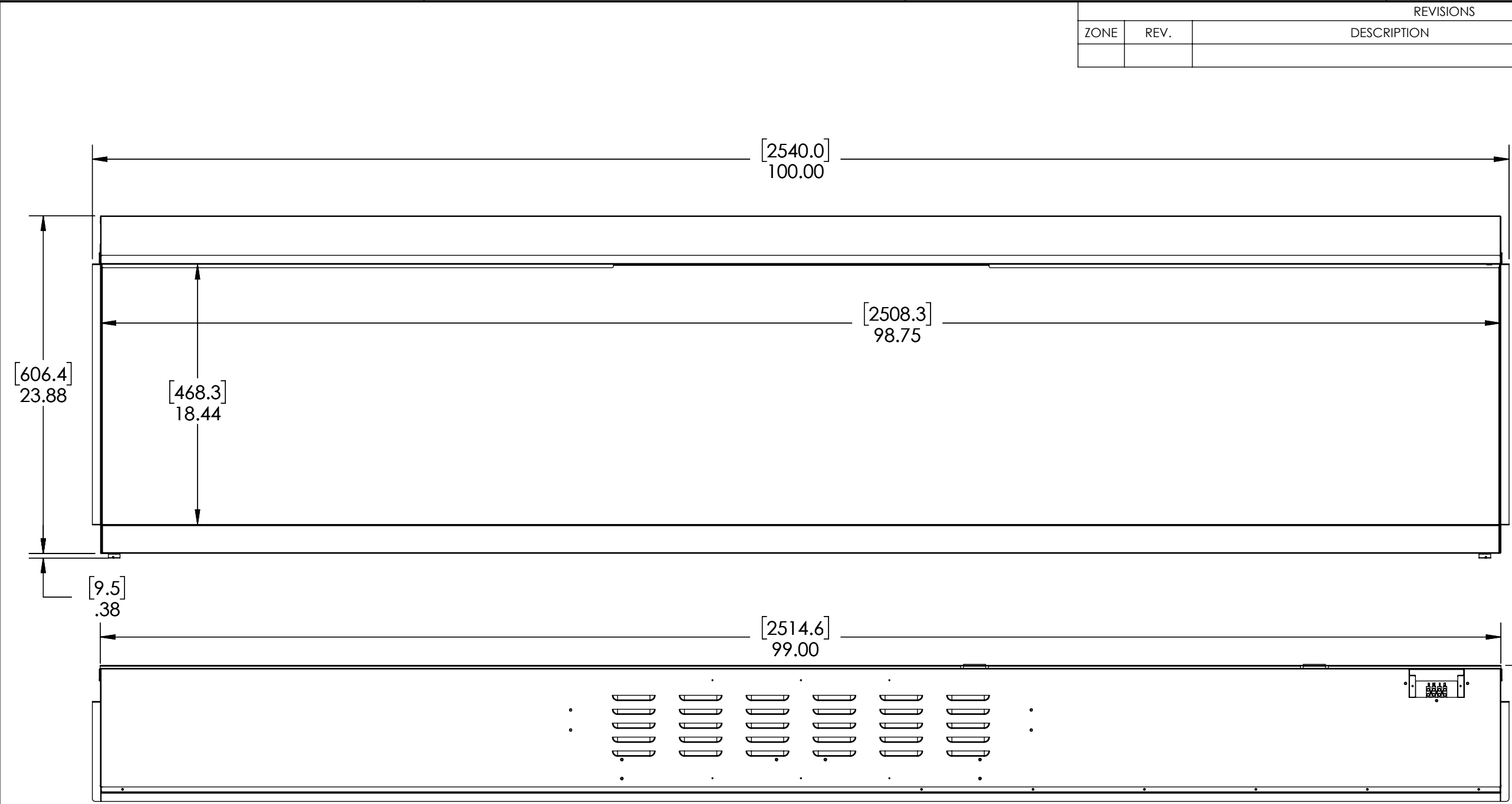
2

1

REVISIONS				
ZONE	REV.	DESCRIPTION	DATE	APPROVED

B

B



A

A

4

3

2

1

UNLESS OTHERWISE SPECIFIED:		NAME	DATE	RPG BRANDS		
DIMENSIONS ARE IN INCHES	DRAWN					
TOLERANCES:	CHECKED			TITLE: ORION MULTI 100"		
FRACTIONAL ±	ENG APPR.					
ANGULAR: MACH ±1° BEND ±1°	MFG APPR.			SIZE B	DWG. NO.	REV
TWO PLACE DECIMAL ±.010	Q.A.					
THREE PLACE DECIMAL ±.005	PROPRIETARY AND CONFIDENTIAL			SCALE: 1:8 WEIGHT:		
INTERPRET GEOMETRIC TOLERANCING PER:	THE INFORMATION CONTAINED IN THIS DRAWING IS THE SOLE PROPERTY OF RICHARDSON'S PRODUCT GROUP. ANY REPRODUCTION IN PART OR AS A WHOLE WITHOUT THE WRITTEN PERMISSION OF RICHARDSON'S PRODUCT GROUP IS PROHIBITED.			SHEET 1 OF 1		
MATERIAL	DO NOT SCALE DRAWING					
FINISH						

4

3

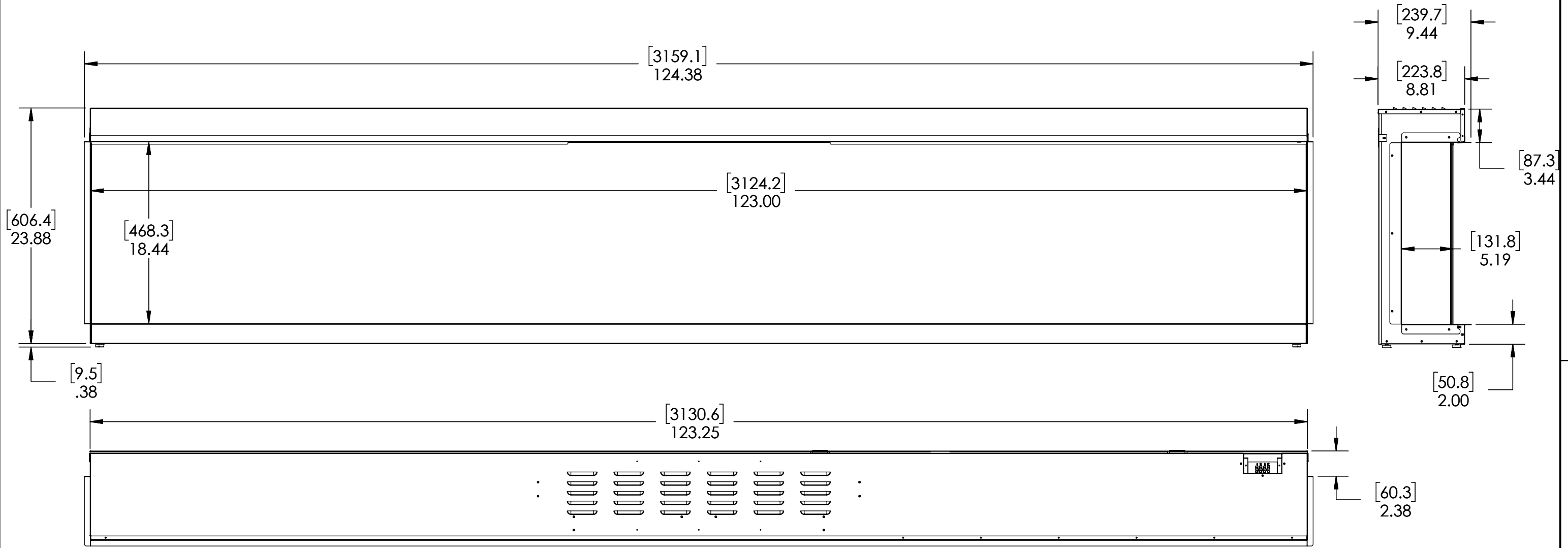
2

1

REVISIONS				
ZONE	REV.	DESCRIPTION	DATE	APPROVED

B

B



A

A

4

3

2

1

UNLESS OTHERWISE SPECIFIED:		NAME	DATE	RPG BRANDS	
DIMENSIONS ARE IN INCHES		DRAWN			
TOLERANCES:		CHECKED		TITLE: ORION MULTI 120"	
FRACTIONAL ±		ENG APPR.			
ANGULAR: MACH ±1° BEND ±1°		MFG APPR.			
TWO PLACE DECIMAL ±.010		Q.A.			
THREE PLACE DECIMAL ±.005		PROPRIETARY AND CONFIDENTIAL THE INFORMATION CONTAINED IN THIS DRAWING IS THE SOLE PROPERTY OF RICHARDSON'S PRODUCT GROUP. ANY REPRODUCTION IN PART OR AS A WHOLE WITHOUT THE WRITTEN PERMISSION OF RICHARDSON'S PRODUCT GROUP IS PROHIBITED.		SIZE	DWG. NO.
INTERPRET GEOMETRIC TOLERANCING PER:				B	
MATERIAL				SCALE: 1:8	WEIGHT:
FINISH				SHEET 1 OF 1	
DO NOT SCALE DRAWING					