

Breckenridge Vent-Free Deluxe Firebox VFD32FB



INCLUDES

- Junction Box
- Standard Hood
- VFD32FB2MF/VFD32FB2ML comes with Refractory Liner

REQUIRES

- Burner
- Log Set
- Extended Hoods for installation where the firebox surround materials are thicker than 1-inch
- Mantel requires 3-piece Outer Frame Kit

ACTUAL DIMENSIONS

35" W x 33" H x 16 1/2" D

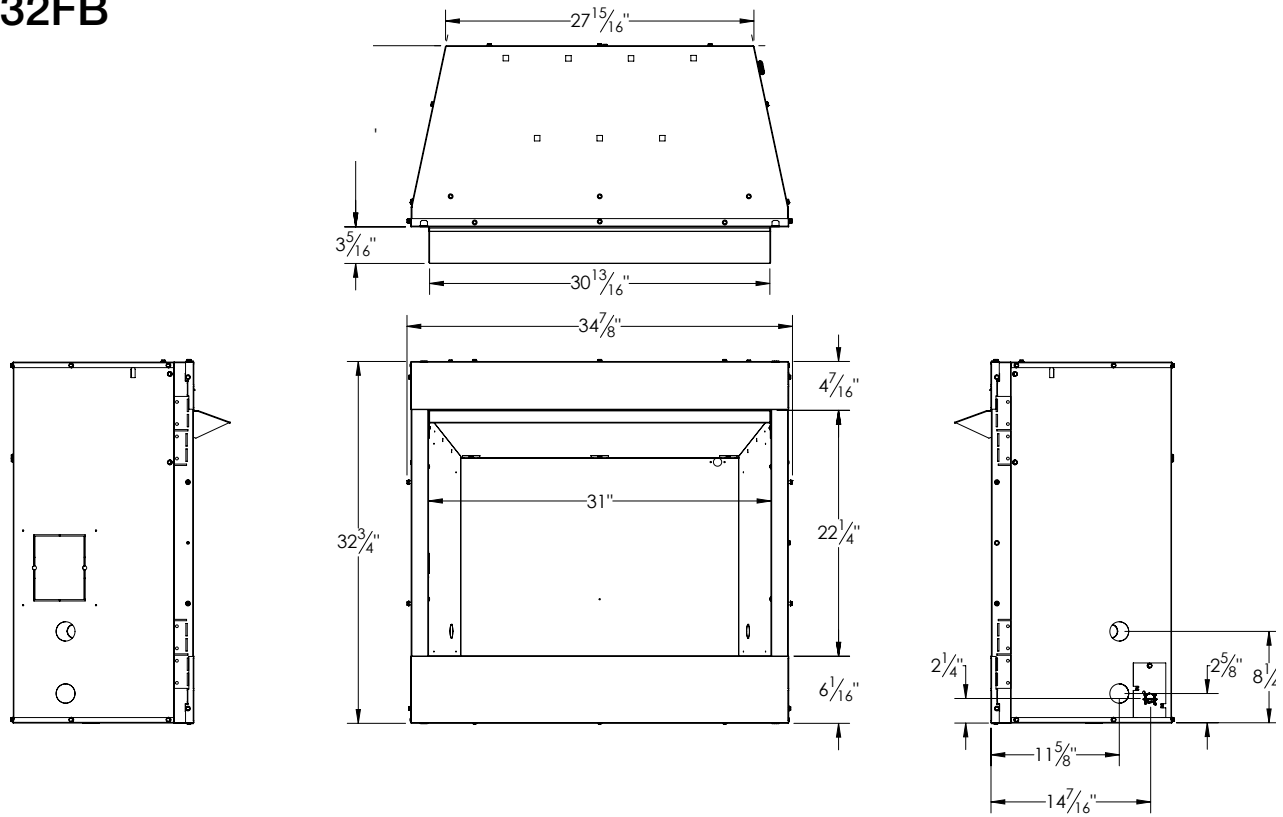
TECHNICAL INFORMATION

- Weight: 110 lbs.
- Flush Front or Louver

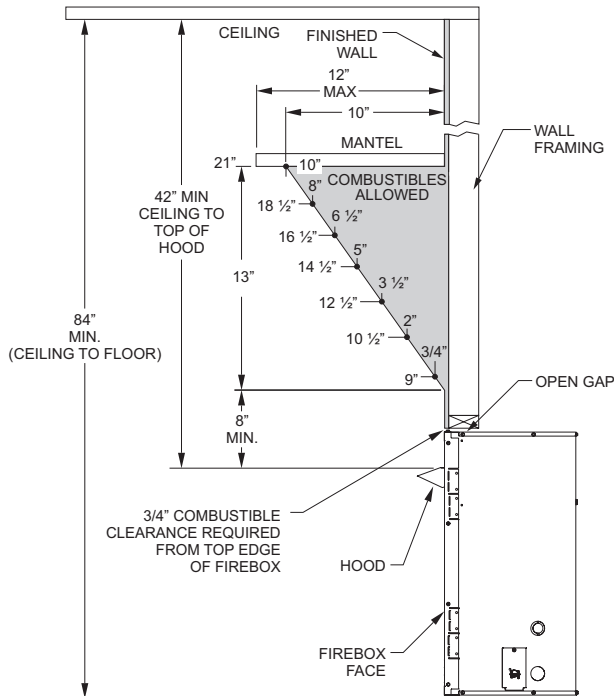
FIELD INSTALLED ACCESSORIES

- Ember Kit
- Blower
- Fresh Air Kit
- Liners: Aged Brick, Banded Brick, Black Porcelain, Stacked Limestone, Stainless Steel, and Traditional Brick
- Decorative Hood: Hammered Pewter, Matte Black, Stainless Steel
- Decorative Louvers (for Louvered Fireboxes): Mission or Arch (Hammered Pewter or Matte Black)
- Decorative Arch Door Set: Mission Arch or regular Arch in Hammered Pewter or Matte Black
- Outer Steel Frame, Hammered Pewter or Matte Black
- Standard or Corner Mantel

VFD32FB

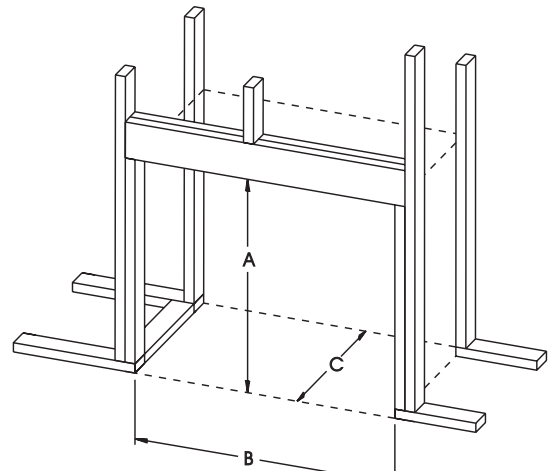


Clearance to Combustibles



Minimum Fireplace Opening Dimensions (in inches)

Height (A)	$33\frac{3}{4}$
Width (B)	$35\frac{1}{2}$
Depth (C)	$16\frac{1}{4}$



Empire is committed to continuous product improvement; specifications are subject to change without notice. Dimensions in this brochure are approximate; read and follow the framing dimensions in the owners manual supplied with your Empire product. Flame size, shape, and color will vary from photos. Our mantels feature natural veneers and hand-rubbed finishes – wood grain and color will vary. Adjust light levels and use "natural light" incandescent bulbs to enhance the dramatic look for your wooden mantel.

Member of the following industry associations:



This appliance is design-certified to the ANSI standard by:



SINCE 1932

Empire Comfort Systems Inc.
918 Freeburg Ave.
Belleville, IL 62220-2623
info@empirecomfort.com
09/19