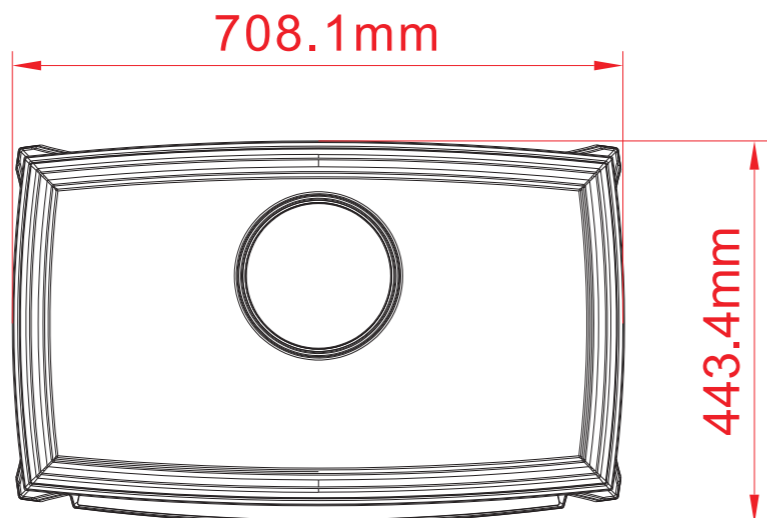
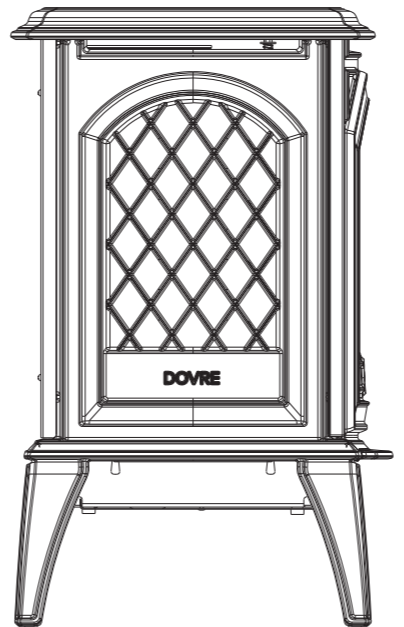
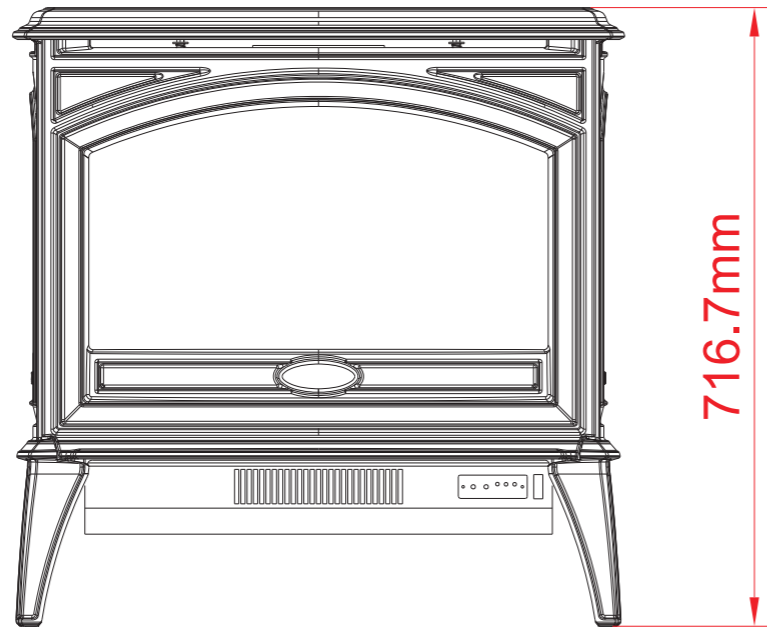


**TECHNICAL SPECIFICATIONS**

VOLTS		120
AMPS		12.5
WATTS		1465
HEATER	HIGH	1465 watts
	LOW	750 watts
NO HEATER		19 watts
LAMPS	TYPE	LED
	WATTS	
	TOTAL WATTS	19 watts
ROTOR MOTOR		1 at 5 watts
HEIGHT,WIDTH,DEPTH		28 1/4" x 27 7/8" x 17 1/2"
GLASS VIEWING OPENING		00" X 00 0/0"
GLASS SIZE		13 1/8" X 21 1/4"
SHIPPING SIZE		16 6/8" x 28 1/4" x 25 5/8"
SHIPPING WEIGHT		140.9 lbs
	UNIT	129.8 lbs
	GLASS FRONT	Included
PLUG LOCATION		Left Side
CORD LENGTH		76"
APPROX. HEATING AREA		400 sq ft

*Amantii*

SERIES	MODEL		REV
	E70		1
SCALE 1"=1'-0"	DATE: 9/21/2019	SHEET 1 OF 1	



**TECHNICAL SPECIFICATIONS**

VOLTS	120	
AMPS	12.5	
WATTS	1465	
HEATER	HIGH	1465 watts
	LOW	750 watts
NO HEATER	19 watts	
LAMPS	TYPE	LED
	WATTS	
	TOTAL WATTS	19 watts
ROTOR MOTOR	1 at 5 watts	
HEIGHT,WIDTH,DEPTH	71.7 x 70.8 x 44.3 cm	
GLASS VIEWING OPENING	00 X 00 cm	
GLASS SIZE	33.3 X 53.9 cm	
SHIPPING SIZE	42.5 x 71.7 x 65.2 cm	
SHIPPING WEIGHT	63.9 Kgs	
	UNIT	58.9 Kgs
GLASS FRONT	Included	
PLUG LOCATION	Left Side	
CORD LENGTH	193 cm	
APPROX. HEATING AREA	37 sqm	

*Amantii*

SERIES	MODEL		REV
	E70		1
SCALE 1:12	DATE: 9/21/2019	SHEET 1 OF 1	