

modern verve®

2909 16th Ave. S., Seattle, WA. 98144
(206) 265-2844

sales@modernverve.com

www.modernverve.com

An explosion of light, the Spark Chandelier Light 4-30 LED is composed of four-tiers of angled light wands tipped with porcelain shades. Handcrafted in Seattle, Washington.

Stock Number - SPK4-30MB

Designer - Shea Bajaj

Materials

Machined aluminum and brass with 'Burst' style handmade porcelain shades.

Lamping

(16) 120 volt 5 watt (80 watts total) E12 LED 2700 kelvin, 80 CRI, 15,000 hour, 500 lumens each lamp. Lamps included. Fully dimmable & re-lampable. 3000 kelvin lamps & 240 or 277 volt options available.

Certifications

UL & cUL Listed. Rated for dry locations and noncombustible surfaces.

Finish options

- Brushed nickel w/ milk glass.
- Brushed black w/ milk glass.
- Brushed solid brass w/ milk glass.
- Custom finishes and mixed finishes available upon request.

Size

72" standard stem can be field adjusted. Longer & custom stem lengths available.

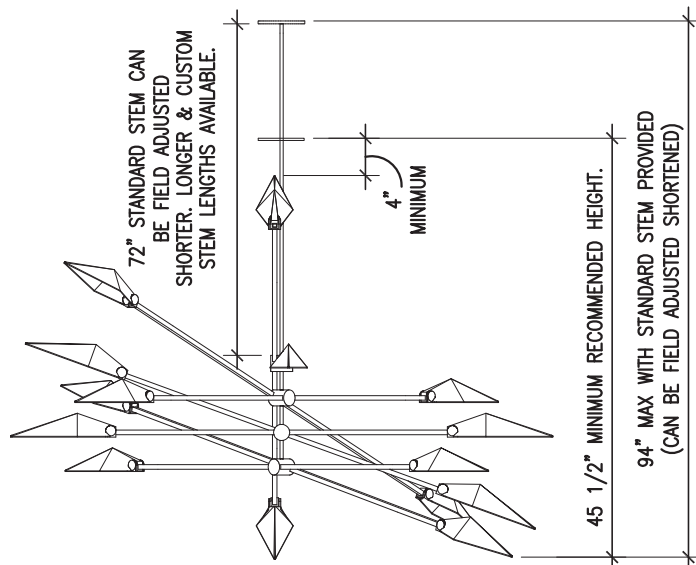
Canopy - 5" diameter.

Weight - 35 pounds, 70 pounds in brass.

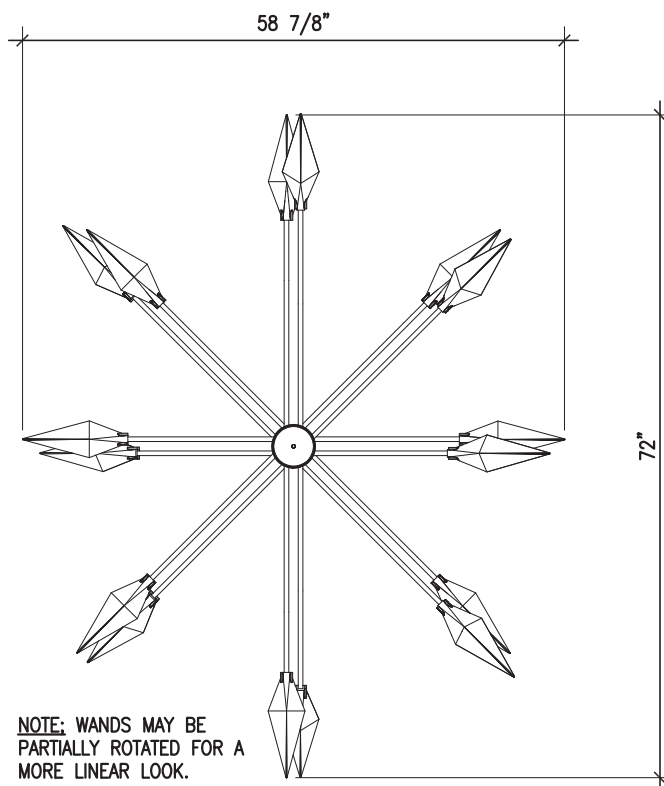
Availability

6 to 8 weeks. See Terms and Conditions

Spark Series Chandelier 4-30MB LED



ELEVATION



NOTE: WANDS MAY BE PARTIALLY ROTATED FOR A MORE LINEAR LOOK.

PLAN - WANDS FULLY ROTATED

