

modern verve®

2909 16th Ave. S., Seattle, WA. 98144
(206) 265-2844
sales@modernverve.com
www.modernverve.com

Inspired by the seed pods of the Lantern tree, this beautiful pendant fixture is made of handmade porcelain shades which blossom from a metal armature. Made of machined solid brass and nickel alloy with adjustable cloth cord. Re-lampable LED technology. Designed and made in Seattle.

Stock Number; AP-2-S

Designer; Shea Bajaj

Materials:

Machined brass and nickel alloy with hand made porcelain shades with silver cloth cord.

Lamping:

(2) 120 volt 4.5 watt (9 watts total) E12 LED Lamps. 2700 kelvin, 80 CRI, 10,000 hour life at 450 lumens each lamp. Fully dimmable and re-lampable. Lamps included.

Certifications ; UL & cUL

Finish options:

- Brushed nickel with solid brass components, white porcelain shades and adjustable grey cloth cord.
- Available in various finish options.

Size:

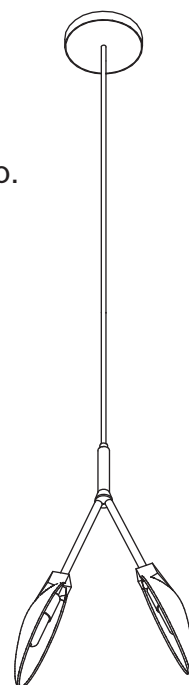
80" standard drop. 27" minimum drop with adjustable cord provided. Longer drops available.

Canopy: 5" diameter.

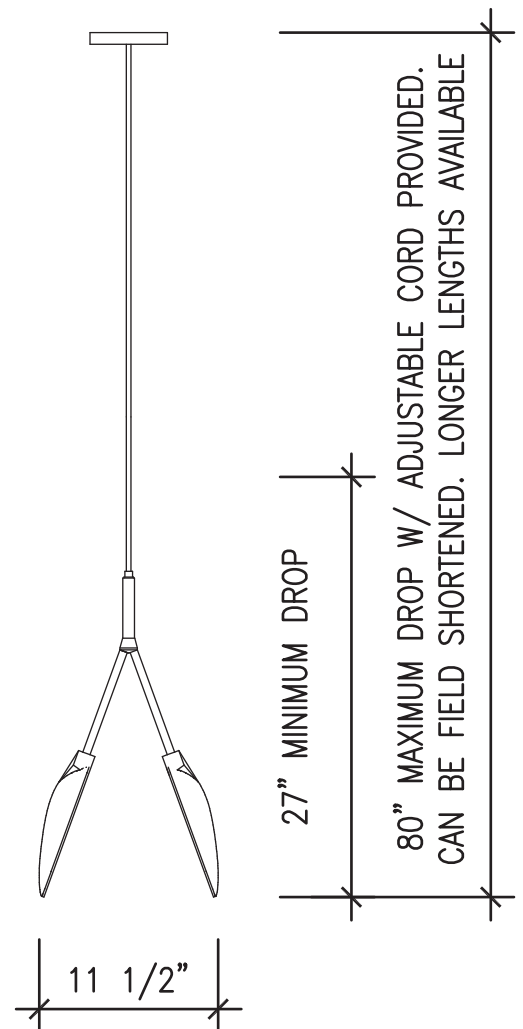
Weight; 5 pounds

Availability; 6 to 8 weeks.

Aria 2S Pendant



PERSPECTIVE

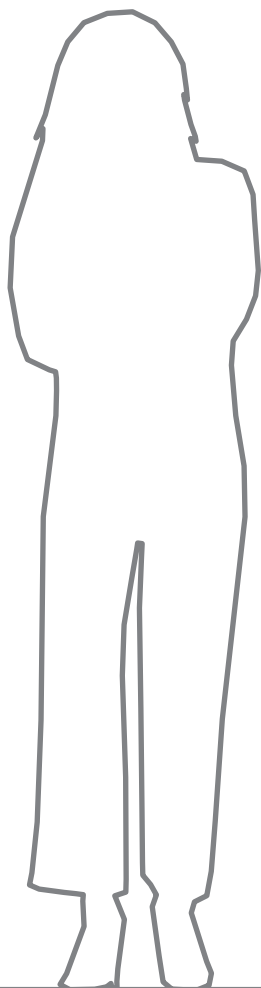


ELEVATION

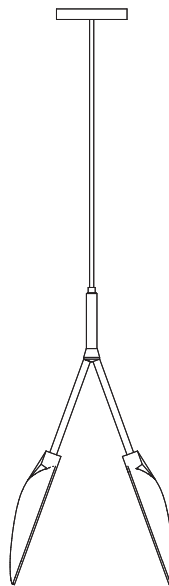
8'-0"

7'-0"

6'-0"



5"
CANOPY



27" MINIMUM DROP

80" MAXIMUM DROP WITH
FIELD ADJUSTABLE CORD PROVIDED.
CAN BE FIELD SHORTENED.
LONGER LENGTHS AVAILABLE

Aria 2S
Pendant Fixture

Model Number;
AP-2-S

modern verve®
lighting
seattle, wa. USA
www.modernverve.com
design copyright;
modern verve