

# modern verve®

2909 16th Ave. S., Seattle, WA. 98144  
(206) 265-2844  
sales@modernverve.com  
www.modernverve.com

A simple elegant light, the Flute Wand Sconce provides a beautiful form that fits many spaces. This sconce makes a great accent to any of our Flute Wand Series chandeliers & pendants. Handcrafted in Seattle, Washington.

Stock Number FLW-SD24

Designer - Shea Bajaj

## Materials

Machined brass and aluminum with hand formed milk glass cylinders.

## Lamping

(2) 120 volt 5 watt (10 watts total) E12 LED 3000 kelvin, 80 CRI, 15,000 hour, 500 lumens each lamp. Lamps included. Fully dimmable & re-lampable. 2700 kelvin lamps & 240 or 277 volt options available.

## Certifications

UL & CUL Listed for damp locations.

## Finish options

- Brushed nickel w/ milk glass.
- Brushed black w/ milk glass.
- Brushed solid brass w/ milk glass.
- Custom finishes and mixed finishes available upon request.

## Size

Wand length can be ordered in custom lengths shorter or longer. Fixture can be mounted vertically or horizontally. ADA compliant.

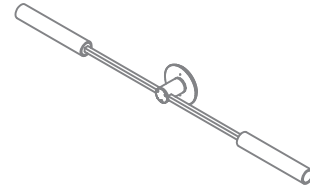
Canopy - 5" diameter.

Weight - 8 pounds

## Availability

6 to 8 weeks. See Terms and Conditions

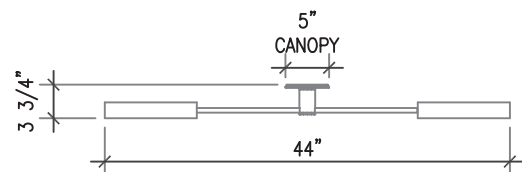
# Flute Series Wand Sconce LED FLW-SD24



AXON - HORIZONTAL MOUNT

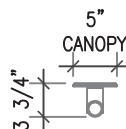


ELEVATION - HORIZONTAL MOUNT

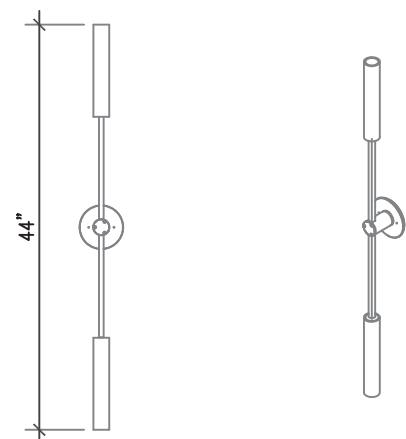


PLAN - HORIZONTAL MOUNT

NOTE: THIS  
SCONCE IS ADA  
COMPLIANT



PLAN -  
VERTICAL  
MOUNT



ELEVATION -  
VERTICAL  
MOUNT

AXON -  
VERTICAL  
MOUNT